


Information Provided by:

PROCESS

CHRYSLER  
  
PT  
CRUISER







Information Provided by:

**DEALER**

www.dealer.com





Information Provided by:

**DEALER**  
E-PROCESS

# CLASSIC

Immediately noticed for its styling. Remembered for its performance. Appreciated for its versatility. More than a carefree cruiser, it's the singular vehicle that successfully bridged retro and modern. It's the embodiment of artistry, performance, efficiency and must-have features. It's a scene-stealing vehicle. And you'll want a front-row seat for the show. This is PT Cruiser Classic.







Information Provided by:

**DEALER**  
E-PROCESS

## EXPERIENCE PERFORMANCE

Equipped with an equal blend of impressive power and sophisticated components, PT Cruiser Classic delivers performance on par with its style. Safety features such as standard advanced multistage driver and front-passenger and supplemental front-seat side mounted air bags<sup>(1)</sup> mean peace of mind.



<sup>(1)</sup>Always sit properly in the seat with the seat belt fastened. Always observe the passenger air bag indicator lamp to determine if the OCS classification is appropriate. Children 12 and under should always be in a backseat correctly using an infant or child restraint system or the seat belt positioned correctly for the child's age and weight. <sup>(2)</sup>EPA est. 19 city/24 hwy mpg.

The standard 2.4-liter DOHC 16-valve engine brings 150 horsepower and an impressive 24 highway mpg<sup>(2)</sup> to the table. The MacPherson strut front suspension provides responsive steering and straight tracking, and helps deliver a smooth, confident ride. A Watt's linkage rear axle helps eliminate hops and skips on turns. Four-wheel antilock disc brakes feature large-diameter rotors to increase stopping power and reduce heat buildup.







Information Provided by:

**DEALER**  
E-PROCESS





Information Provided by:

**DEALER**  
E-PROCESS

## EMBRACE COMFORT

Step inside PT Cruiser and you'll find retro-inspired looks and the most modern conveniences. This five-seater offers plenty of passenger room and boasts second row theater-style seating. Select beautifully crafted seats with available Stain Repel seat fabric.<sup>(1)</sup> Added conveniences include power windows, available power driver's seat, speed control, and an available fold-flat front-passenger seat. Satin Silver accents highlight the instrument panel and center stack.

<sup>(1)</sup>Not compatible with aftermarket fabric-protecting coatings.



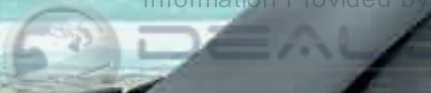


Information Provided by:

**DEALER**  
E-PROCESS



Information Provided by

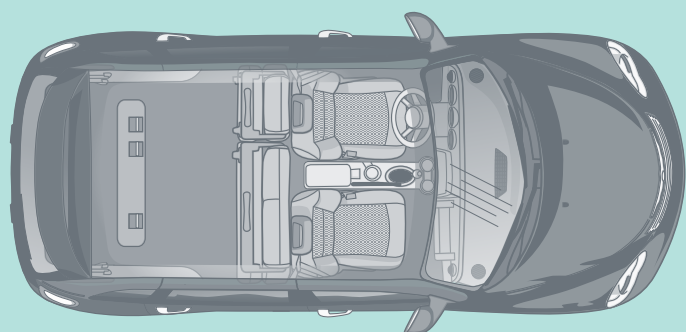
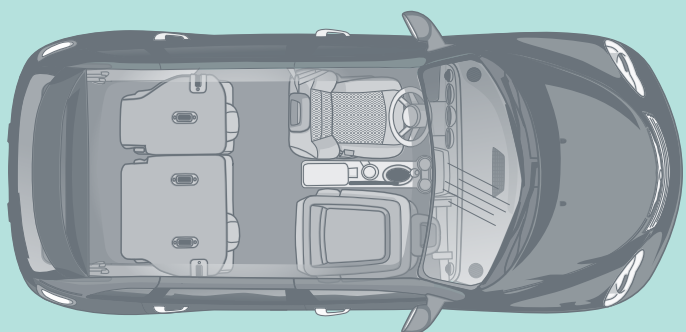
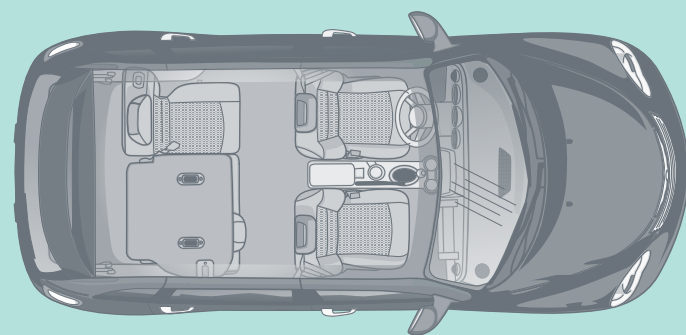






Information Provided by:

**DEALER**  
E-PROCESS



## WITNESS VERSATILITY

Life is rarely the same one day to the next; that's why PT Cruiser offers extreme flexibility and a host of adaptable functions and features. Its versatility begins with 76 cu ft of cargo room, an available fold-flat front-passenger seat that doubles as a flat working surface, and a rear Fold-and-Tumble split-folding second-row bench seat that can fold down or be completely removed. The movable front and rear seats configure to the tune of 32 different seating and cargo space arrangements. Even objects up to eight feet in length easily find a resting place inside this cruiser, making PT Cruiser perfect for moving people, cargo, or any combination of the two.

Information Provided by:







Information Provided by:

**DEALER**  
E-PROCESS







Information Provided by:

**DEALER**  
E-PROCESS





Information Provided by:

DEALER





Information Provided by:

**DEALER**  
E-PROCESS



## PT CRUISER CLASSIC

**CLASSIC.** Start with power from a 2.4L I-4 with 4-speed automatic transmission and impressive 24 highway mpg.<sup>(1)</sup> Ride on striking 16-inch aluminum wheels. The exterior is loaded with chrome accents, including door handles, bodyside molding, and grille. Inside enjoy standard low-back bucket seats, Electronic Vehicle Information Center with mini-trip computer, front and rear floor mats, cruise control, auxiliary jack, and SIRIUS® Satellite Radio.<sup>(2)</sup>

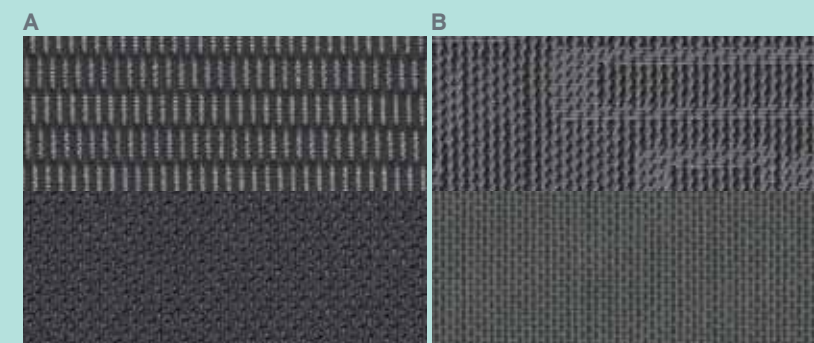


16-inch painted aluminum wheel

## SEATING SELECTIONS

**A. PASTEL SLATE GRAY ALIAS AND RACINE CLOTH WITH STAIN REPEL SEAT FABRIC.<sup>(3)</sup>** Available stain-resistant, odor-resistant, antistatic seat fabric protects seating surfaces from dirt, spilled drinks, and more. Allows for easy care and cleanup and reduced germs and allergens, all while managing odors.

**B. PASTEL SLATE GRAY BAUHAUS/ALBI II CLOTH.** Beautifully crafted cloth seats designed to look fresh and remain durable year after year.



<sup>(1)</sup>EPA est 19 city/24 highway mpg. <sup>(2)</sup>SIRIUS U.S. service available only in contiguous United States and D.C. Service available in Canada; see [siriuscanada.ca](http://siriuscanada.ca). Subscription required after 12-month subscription included with vehicle purchase. Subscriptions governed by SIRIUS Terms & Conditions available at [sirius.com](http://sirius.com). SIRIUS, XM, and all related marks and logos are trademarks of SIRIUS XM Radio Inc. and its subsidiaries. <sup>(3)</sup>Not compatible with aftermarket fabric-protecting coatings.





Information Provided by:

DEALER

SILVER STEEL METALLIC

DEEP WATER BLUE PEARL

BRILLIANT BLACK CRYSTAL PEARL

STONE WHITE

INFERNO RED CRYSTAL PEARL

BRIGHT SILVER METALLIC



Information Provided by:

**DEALER**  
E-PROCESS

	Classic
<b>ENGINE/TRANSMISSION</b>	
<b>2.4L DOHC 16V I-4/4-speed automatic</b>	S
<b>MECHANICAL</b>	
<b>Brakes</b> – 4-wheel disc antilock	S
<b>Engine Block Heater</b>	O
<b>Speed Control</b> – Electronic with steering wheel-mounted controls	S
<b>Suspension</b> – Front, independent with MacPherson struts and stabilizer bar; rear twist-beam axle with trailing arms and coil springs, shock absorbers and Watt's linkage	S
– Normal-duty	S
<b>EXTERIOR FEATURES</b>	
<b>Grille</b> – Body-color with chrome accents	S
<b>Headlamps</b> – Quad-halogen headlamps	S
– Fog lamps	S
<b>Mirrors</b> – Power, Black	S
<b>Molding</b> – Bodyside, chrome	S
<b>Spoiler</b> – Strip – Rear, body-color, liftgate-mounted	S
<b>Sunroof</b> – Power with one-touch open feature and sliding sunshade	O
<b>Tires</b> – P205/55R16 BSW all-season touring	S
– Compact spare tire	S
<b>Wheels</b> – 16" painted cast aluminum	S
<b>Windshield Wipers</b> – 2-speed with variable-intermittent mode	S
– Rear wiper/washer with intermittent mode	S

	Classic
<b>INTERIOR FEATURES</b>	
<b>Air Conditioning</b> – Manual temperature control (includes air filtration)	S
<b>Electronic Vehicle Information Center (EVIC)</b> – Includes compass, temperature, audio info, average fuel economy, distance to empty, elapsed time and personal choices	S
<b>Floor Mats</b> – Carpet, front and rear	S
<b>Interior Accents</b> – Center stack bezel, Satin Silver finish	S
– Cup holder accent ring, bright	S
– Instrument panel trim; Bright Silver inserts	S
– Lock knobs, Chrome	S
<b>Lighting</b> – Front courtesy map lamps	S
– Dome with theater-dimming, console floodlamp and rear cargo area lamps	S
<b>Mirrors</b> – Rearview, day/night	S
<b>Power Accessory</b> – Front 12V auxiliary outlet	S
– Rear 12V auxiliary outlet	S
<b>Shelf Panel</b> – Rear, multiposition with integral grocery bag hooks	S
<b>Shift Knob</b> – Accent color	S
<b>Steering Wheel</b> – Leather-wrapped with Satin Silver spokes	S
<b>SEATING</b>	
<b>Fabric</b> – Cloth	S
– Cloth with Stain Repel seat fabric <sup>(1)</sup> (included with Convenience Group)	P
<b>Front</b> – 6-way power driver's seat (included with Convenience Group)	P
– Manual driver adjustable lumbar (included with Convenience Group)	P
– Fold-flat front-passenger (included with Convenience Group)	P
– Heated front seats (included with Convenience Group)	P
<b>Rear</b> – 65/35 Fold-and-Tumble, removable with 2-way adjustable low-profile head restraints for outboard seating	S





Information Provided by:

**DEALER**  
E-PROCESS

	Classic
<b>ENTERTAINMENT SYSTEMS</b>	
<b>Radios</b> – AM/FM stereo with CD player and changer controls and auxiliary input jack	S
<b>Uconnect™ Web<sup>(2)</sup></b> – Wi-Fi HotSpot. Subscription required, sold separately (Authentic Chrysler Accessory by Mopar)	O
<b>Uconnect Multimedia</b> – Includes SIRIUS® Satellite Radio <sup>(3)</sup> with one-year subscription	S
<b>Sound Systems</b> – 4 speakers	S
<b>PACKAGES</b>	
<b>Convenience Group</b> – Includes premium Stain Repel seat fabric, <sup>(1)</sup> heated front seats, 6-way power driver's seat and fold-flat front-passenger seat	O
<b>SAFETY AND SECURITY</b>	
<b>Air Bags<sup>(4)</sup></b> – Advanced multistage for driver and front passenger with Occupant Classification System (OCS)	S
– Driver-side inflatable knee blocker	S
– Supplemental side seat mounted for front outboard occupants	S
<b>Illuminated Entry System</b>	S
<b>Remote Keyless Entry</b> – Includes 2 transmitters	S
<b>Security Alarm</b>	S
<b>Sentry Key®</b> – Antitheft engine immobilizer	S
<b>Tire Pressure Monitoring Warning Lamp</b>	S
<b>Traction Control</b> – Low-speed	S

	Classic
<b>POWERTRAIN SPECIFICATIONS</b>	
<b>Engine Type</b>	2.4L In-line 4-cylinder
<b>Transmission Type</b>	4-Speed Automatic
<b>Horsepower (SAE net @ rpm)</b>	150 @ 5,100
<b>Torque (lb-ft @ rpm)</b>	165 @ 4,000
<b>Compression Ratio</b>	9.5:1
<b>Valve Train Configuration</b>	DOHC 16 valves
<b>WEIGHT AND CAPACITIES</b>	
<b>Fuel Tank Capacity (gal)</b>	15
<b>Recommended Fuel</b>	Unleaded Regular
<b>Fuel Economy<sup>(5)</sup></b> – City/hwy	19/24
<b>Base Curb Weight (lb)</b>	3,165
<b>Towing Capacity (lb)</b>	1,000
<b>Seating Capacity</b>	5

<sup>(1)</sup>Not compatible with aftermarket fabric-protecting coatings. <sup>(2)</sup>The Uconnect Web feature is not intended for use by the driver while the vehicle is in motion. <sup>(3)</sup>SIRIUS U.S. service available only in contiguous United States and D.C. Service available in Canada; see siriuscanada.ca. Subscription required after 12-month subscription included with vehicle purchase. Subscriptions governed by SIRIUS Terms & Conditions available at sirius.com. SIRIUS, XM, and all related marks and logos are trademarks of SIRIUS XM Radio Inc. and its subsidiaries. <sup>(4)</sup>The Advanced Front Air Bags in this vehicle are certified to the new federal regulations for advanced air bags. Children 12 years old and younger should always ride buckled up in a rear seat. Infants in rear-facing child restraints should never ride in the front seat of a vehicle with a passenger front air bag. All occupants should always wear their lap and shoulder belts properly. <sup>(5)</sup>Based on EPA estimates.



Information Provided by:

**5-Year/100,000-Mile Powertrain Warranty.** Transferable. See dealer for copy of limited warranty. Includes towing to an authorized dealer.

**Warranty.** New Chrysler vehicles are covered by a Chrysler Group LLC 3-year or 36,000-mile Basic Limited Warranty. See your dealer for a copy of this limited warranty. Excludes normal maintenance and wear items.

**Chrysler Auto Insurance.**<sup>(1)</sup> The only insurance guaranteed to repair your vehicle using Authentic Chrysler Collision Repair Parts by Mopar for as long as you own your vehicle – at rates that are tough to beat. Plus, get up to \$100<sup>(2)</sup> in deductible waived when repairs are done at a Chrysler dealership. For a quote, visit [cf.com/insurance](http://cf.com/insurance) or call (877) 244-1531.

**Chrysler Service Contracts.** Chrysler has a vested interest in your satisfaction with your new Chrysler vehicle. Chrysler Service Contracts offer extended service plans to help ensure that you'll enjoy your vehicle for many years down the road – for just pennies a day. For more information, see your Chrysler dealer, call (800) 442-2666 or visit [chrysler.com/csc](http://chrysler.com/csc).

**Authentic Chrysler Accessories by Mopar** are designed specifically for your Chrysler vehicle for exceptional fit, finish and performance. Visit your dealership or [mopar.com](http://mopar.com).

**Uconnect™.** With Uconnect, you're always connected – to people, places, music, movies, and the Internet.

**SIRIUS®** SIRIUS Satellite Radio delivers over 130 channels, including 100% commercial-free music, sports, news, talk, entertainment, traffic and weather. Factory-installed SIRIUS Satellite Radio includes a one-year subscription. For more information, go to [sirius.com](http://sirius.com).

**Chrysler Gift Gallery** pays tribute to the finer things in life. With everything from men's and women's apparel to accessories and designer collectibles, you are sure to take your style to the next level. View the entire collection of authentic merchandise at [chrysler.com/giftgallery](http://chrysler.com/giftgallery).

**Honoring Those Who Serve.** Chrysler Group LLC proudly supports the members of the U.S. Armed Forces and their families.

<sup>(1)</sup>Insurance provided through 21st Century Insurance and Financial Services, Wilmington, DE, managing general agent for the personal lines insurers of American International Companies. <sup>(2)</sup>Coverage features and availability may vary by state. SIRIUS U.S. service available only in contiguous United States and D.C. Service available in Canada; see [siriuscanada.ca](http://siriuscanada.ca). Subscription required after 12-month subscription included with vehicle purchase. Subscriptions governed by SIRIUS Terms & Conditions available at [sirius.com](http://sirius.com). SIRIUS, XM, and all related marks and logos are trademarks of SIRIUS XM Radio Inc. and its subsidiaries. Chrysler, Mopar and Sentry Key are registered trademarks and Uconnect is a trademark of Chrysler Group LLC.

## VISIT YOUR DEALER

Your Chrysler dealer's knowledgeable and professionally trained staff will guide you through the shopping process with expert advice.

## CHRYSLER.COM

Our Web site offers detailed information on all Chrysler products. You can virtually assemble any vehicle you like. Simply choose the model with your favorite color combinations, equipment, and features – and then price it all out.

800 | CONNECT CHRYSLER 2479753 Our friendly and knowledgeable product information specialists are available seven days a week, 8 a.m.- midnight (ET) to answer your questions.

All product illustrations, specifications and competitive comparisons are based upon current information at the time of publication approval. Although descriptions are believed correct, complete accuracy cannot be guaranteed. Chrysler Group LLC reserves the right to make changes at any time, without notice or obligation, in prices, specifications, equipment, colors and materials, and to change or discontinue models. Some of the equipment shown or described throughout this catalog is available at extra cost and/or may be subject to late availability. See your dealer for the latest information.







Information Provided by:  
**DEALER**  
E-PROCESS

