

# SX4



Information Provided by  
**DEALERS**



Way of Life!





## Joy. Thrills. Adventure. Pick Three.

Meet the 2013 Suzuki SX4. A car that just makes you want to pick a point on the map and go. And isn't that what driving happiness is all about? The SX4 offers three stylish models to choose from: There's the versatile All-Wheel Drive (AWD) Crossover, the Euro-inspired SportBack and the sophisticated Sport sedan. Each model proves in its own way that a well-equipped ride doesn't have to break the bank.







**SX4 Sport sedan**



**SX4 SportBack**



**SX4 Crossover**



**“The low price and all the features  
make it a best-buy in my book.”**

*-AutoWeek*







## Equal Opportunity AWD

Gone are the days when you had to buy an expensive, gas-guzzling SUV to enjoy the benefits of all-wheel drive. The SX4 AWD Crossover is America's most affordable All-Wheel-Drive vehicle,<sup>1</sup> not to mention one of the most versatile. The AWD Crossover boasts 3-Mode Intelligent All-Wheel Drive (i-AWD<sup>®</sup>), available voice-activated navigation and the safety of eight standard airbags. All with the security of America's #1 Warranty.<sup>TM 2</sup> With SX4 AWD Crossover, you can afford to live your life the way you want to live it.

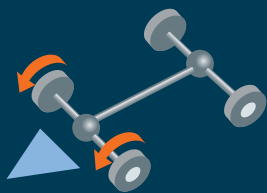






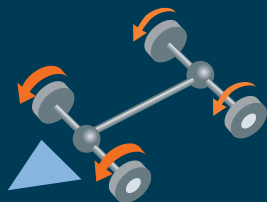
## Intelligent AWD

The i-AWD system employs an electronically controlled coupling device mounted in front of the rear differential. With the console switch, the driver can choose the mode that best matches the particular driving situation.



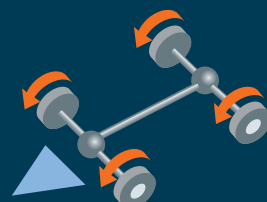
### 2WD

The 2WD mode transmits power primarily to the front wheels, providing a drive that's quiet, efficient and perfect for dry pavement conditions.



### AWD Auto

For rougher roads or rainy conditions during everyday driving, the AWD Auto mode maximizes available traction, with rear torque automatically increased when front-wheel slip is detected.



### AWD Lock

In slippery mud or snow, the AWD Lock mode provides constant torque to both axles for easier maneuverability in low-traction conditions. At speeds over 37 mph, the system automatically switches to and remains in 4WD Auto mode.





## Looks Can Be Deceptively Affordable

With a host of amenities usually found on far more expensive cars, the stylish SX4 Sport sedan offers a level of sophistication unheard of in its class. Its many features include voice-activated navigation, remote keyless entry, eight standard airbags,<sup>3</sup> 4-wheel anti-lock disc brakes and 17" alloy wheels.



### Trunk Space

The SX4 sedan's trunk provides plenty of room for sporting equipment, suitcases or groceries, all easily accessed from the inside through 60/40 split fold-down rear seats.

### Eight Airbags<sup>3</sup>

With front, side curtain and front and rear side airbags, passengers in the SX4 have state-of-the-art protection in the event of an accident.





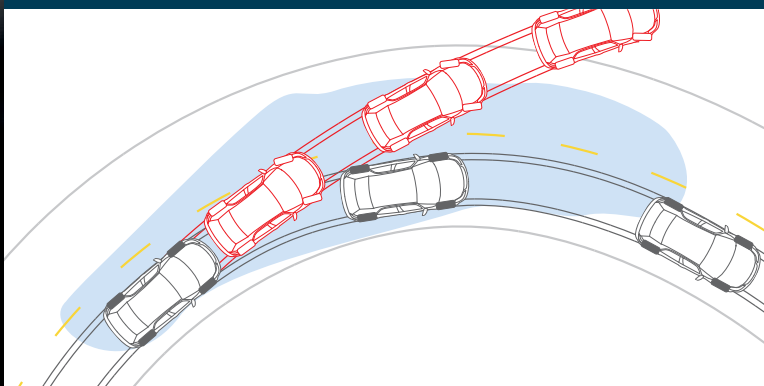
## Good to Go

Driving excitement has never been so accessible. The road-hugging SX4 SportBack features a sport-tuned suspension with KYB® shocks, 4-wheel anti-lock disc brakes, steering wheel-mounted F1-style paddle shifters, leather-wrapped steering wheel and 17" alloy wheels.



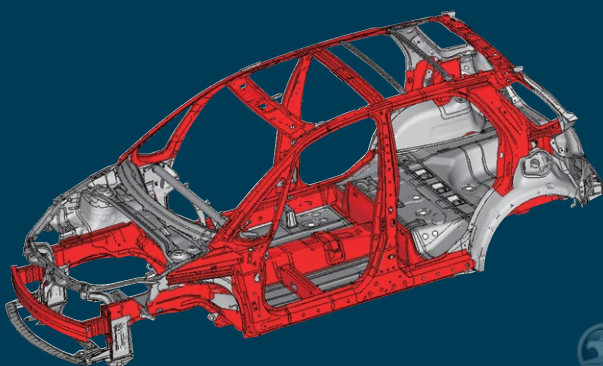
## Command. Performance.

Power means nothing without control. So while we gave the sporty SX4 a strong 16-valve, DOHC engine, we also equipped it with a host of active safety features to help keep you out of harm's way. These features include Electronic Stability Program (ESP®)<sup>4</sup> to help you stay on your intended course and an Anti-lock Brake System (ABS) with Electronic Brake-force Distribution (EBD) to bring you to a confident stop.



### Stability Control

ESP (Electronic Stability Program®) combines ABS with EBD, traction control and stability control to continuously monitor vehicle conditions and adjust braking and engine output to help reduce understeer and oversteer.<sup>4</sup>



### Safety-Engineered Body

The SX4 body combines a rigid frame that helps direct collision energy around the cabin and away from occupants and numerous crumple zones that help absorb and dissipate collision energy before it can reach the interior. This design is further enhanced by side-impact door beams, reconfigured side members and other reinforcements throughout.







## Advanced Audio with Navigation

The available multimedia system offers a host of advanced features including easy-to-use navigation with award-winning software, fuel-saving route guidance, millions of points of interest and available Real-Time Traffic; Bluetooth® wireless technology; and an audio system that lets you listen to AM/FM radio, Pandora® on your iPhone®, audio files on an SD card or USB drive, CDs, and Bluetooth-capable audio devices.<sup>5</sup> All controlled hands-free with voice commands or through the integrated touchscreen.



Smart Phone  
Compatible



Pandora®



Voice  
Command



Bluetooth



Real-Time  
Traffic







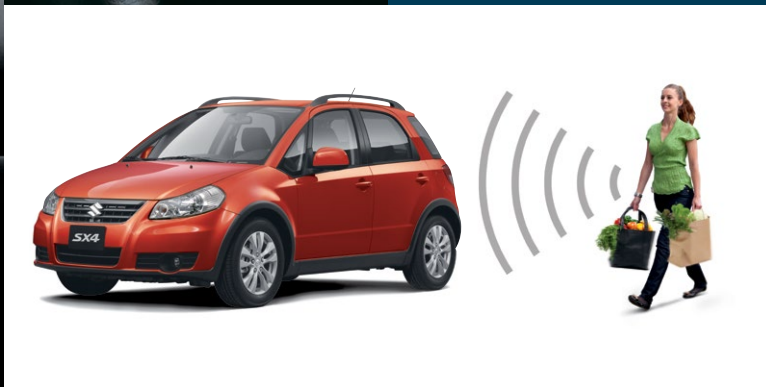
### Spacious, Flexible Seating

The SX4's versatile cabin offers comfortable seating for five. The convenient split folding rear seats give you plenty of cargo and passenger options.



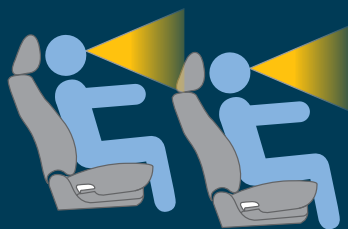
### Steering Wheel-Mounted Audio Controls

Keep your eyes on the road with the help of steering wheel-mounted controls. This feature puts control of the audio system and your mobile phone at your fingertips.



### TouchFree Smart Key™

When you approach, the available TouchFree Smart Key allows you to open your locked door and start your vehicle without ever removing the key from your pocket or purse.



### Drive In-Command

SX4 features an elevated seating position for both front and rear occupants. This provides the driver with a high-visibility vantage point for added safety and maneuverability, while all occupants can enjoy the enhanced comfort and ease of entry and exit.





# SX4 Features

## SEDAN LE

### MECHANICAL

- 2.0-liter DOHC 16-valve engine with 150-hp (148-hp w/AT) and 140 lb-ft of torque
- Front-wheel drive (FWD)
- 6-speed manual transmission (MT)
- 15-inch wheels with full covers
- 4-wheel disc brakes

### EXTERIOR

- Power side mirrors
- Rear window defroster
- Front wipers w/variable intermittent function

### INTERIOR

- Air conditioning with pollen filter
- Power steering
- Power windows and door locks
- AM/FM/CD/MP3 with auxiliary jack input and XM® capability
- Trip computer (mpg, range, outside temperature)
- Folding front-seat armrests
- Rear-footwell heater vent
- 60/40 split-folding rear seats

### SAFETY

- Electronic Stability Program (ESP®)<sup>4</sup>
- Eight airbags Supplemental Restraint System (SRS) including:
  - Dual front advanced airbags
  - Side curtain airbags, front and rear
  - Front side-impact airbags
  - Rear side-impact airbags
- Bosch 4-wheel Anti-lock Braking System (ABS)
- Electronic Brake-force Distribution (EBD)
- Brake Assist
- Three rear child-seat tether anchors & dual rear child-seat ISOFIX anchors
- Front 3-point ELR seat belts with pretensioners, force limiters and height adjusters
- Tire Pressure Monitoring System (TPMS)<sup>6</sup>
- Side-impact door beams, front and rear
- Daytime running lights (DRL)

### LE POPULAR PACKAGE

- Continuously variable automatic transmission (AT)
- Alloy wheels
- Cruise control
- Remote keyless entry
- Leather-wrapped steering wheel with audio controls

## SPORT SEDAN

Includes all LE Popular Pkg plus

### MECHANICAL

- 17-inch alloy wheels
- F1-style steering wheel-mounted paddle shifters
- Sport suspension with KYB performance-tuned shocks

### EXTERIOR

- Aero Sport body kit
- Fog lamps

### INTERIOR

- Advanced voice-activated touchscreen navigation<sup>5</sup>
  - Real-Time Traffic
  - Bluetooth hands-free calling and streaming audio
  - CD/SD/AM/FM radio

## SPORTBACK

Includes Sport sedan plus

### EXTERIOR

- 5-door Sport hatch body style
- Aero Sport hatchback body kit
- Rear spoiler
- Rear wiper with intermittent function

### INTERIOR

- AM/FM/CD/MP3 with auxiliary jack input and XM® capability replaces navigation and Bluetooth
- Cargo security cover

## AWD CROSSOVER

Includes SportBack plus

### MECHANICAL

- 5-door Crossover body style
- 3-Mode Intelligent All-Wheel Drive (i-AWD)
- 16-inch steel wheels with full covers replace alloy wheels
- Crossover suspension replaces sport suspension
- 6-speed manual transmission replaces continuously variable automatic transmission

### EXTERIOR

- Crossover body kit with black fender flares replaces aero body kit
- Roof rack rails
- Heated power side mirrors
- Rear wiper with intermittent function
- Deletes rear spoiler

### INTERIOR

- Cargo security cover
- Deletes leather-wrapped steering wheel
- Deletes cruise control

### PREMIUM PACKAGE

- Performance-tuned continuously variable automatic transmission (AT)
- 16-inch alloy wheels
- Cruise control
- Leather-wrapped steering wheel with remote audio controls

### TECH VALUE PACKAGE

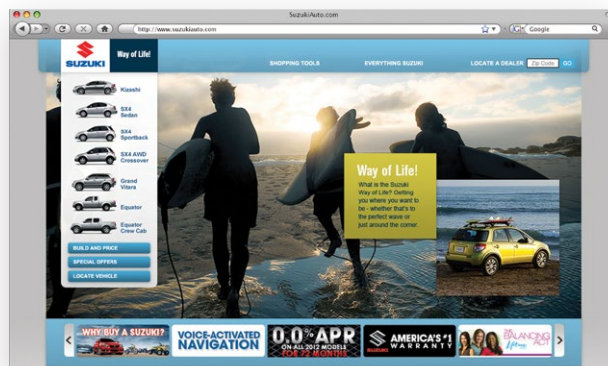
- 6-speed manual transmission (MT) or available continuously variable automatic transmission (AT)
- Advanced voice-activated touchscreen navigation<sup>5</sup>
  - Real-Time Traffic
  - Bluetooth hands-free calling and streaming audio
  - CD/SD/AM/FM radio
- TouchFree Smart Key keyless start and entry system



# AMERICA'S #1 WARRANTY

100,000-Mile / 7-Year Powertrain Limited Warranty. Fully Transferable. No Deductible

FOR MORE INFO, VISIT SUZUKIAUTO.COM



<sup>1</sup>Based on manufacturers' websites as of 8/21/12. <sup>2</sup>New Suzuki automobiles come standard with a 100,000-mile, 7-year powertrain limited warranty. For more information on America's #1 Warranty, please visit Suzuki.com or see your local authorized dealer and the new warranty booklet for full details. <sup>3</sup>An airbag supplements the crash protection offered by seat belts. The driver and all occupants must be properly restrained by wearing seat belts at all times to minimize the risk of severe injury or death in the event of a crash. <sup>4</sup>Electronic stability control cannot be relied upon to prevent accidents due to abrupt steering, carelessness or dangerous driving techniques. ESP is a registered trademark of Daimler AG. <sup>5</sup>Not all services available in all areas. Subscription required at extra cost. <sup>6</sup>The Tire Pressure Monitoring System (TPMS) is not a substitute for regular tire pressure inspections. Tire pressure should be checked at least monthly using a tire pressure gauge. Maintaining the recommended tire pressure can help avoid performance problems, tire damage and premature wear. See the Owner's Manual for additional details. <sup>7</sup>Overall length 163.4 with Tech Value Package. <sup>8</sup>Gas mileage based on EPA mileage estimates, sourced from fueleconomy.gov. Actual mileage may vary based on options, driving conditions, driving habits and vehicle's condition. Bluetooth, iPhone, KYB and AutoWeek are registered





# SX4 Specifications

EXTERIOR	SEDAN LE	SPORT SEDAN	SPORTBACK	AWD CROSSOVER
Overall Length x Width x Height (in)	176.8 x 68.1 x 60.8	177.6 x 68.1 x 60.8	162.8 x 69.1 x 61.8	162.8 <sup>7</sup> x 69.1 x 63.2
Wheelbase (in)	98.4	98.4	98.4	98.4

## INTERIOR

Head Room, front/rear (in)	39.6/37.5	39.6/37.5	39.6/38.0	39.6/38.0
Leg Room, front/rear (in)	41.4/35.8	41.4/35.8	41.4/36.4	41.4/36.4
Shoulder Room, front/rear (in)	53.3/52.8	53.3/52.8	53.3/52.8	53.3/52.8
Hip Room, front/rear (in)	51.0/42.6	51.0/42.6	51.0/46.7	51.0/46.7

## EPA ESTIMATED FUEL ECONOMY<sup>8</sup>

AT FWD, city/highway	25/32	23/30	23/30	-
MT FWD, city/highway	23/33	-	-	-
AT AWD, city/highway	-	-	-	23/29
MT AWD, city/highway	-	-	-	22/30

## CAPACITY

Max Cargo (cu ft)	15.5	15.5	51.8	51.8
-------------------	------	------	------	------



Pearl White



Metallic Star Silver



Super Black Metallic



Sunlight Copper Metallic  
(AWD Crossover only)



Ablaze Red Metallic  
(AWD Crossover and sedan LE)



Boost Blue Metallic



Plasma Yellow Metallic  
(AWD Crossover only)



Solid Red  
(SportBack and Sport sedan)

## ACCESSORIES (Visit SuzukiAuto.com for a complete list of accessories.)



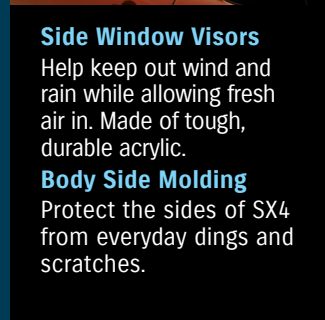
### Roof Rack Cross Bars

For models with factory-installed roof rails, these cross bars add versatility.



### All-Weather Floor Mats

Rubberized All-Weather Floor Mats have a unique edge lip to help keep dirt and debris off the carpet.



### Side Window Visors

Help keep out wind and rain while allowing fresh air in. Made of tough, durable acrylic.

### Body Side Molding

Protect the sides of SX4 from everyday dings and scratches.



### Rear Bumper Protector

This guard helps protect the top of your bumper from scratches and wear from loading and unloading.



### Under-Floor Cover

Keep valuables out of sight with this cargo area cover.



trademarks. Audio player sold separately. Pandora is a registered trademark of Pandora Media, Inc. Requires compatible smartphone app and active data service. Drivers and/or passengers could be subject to data service overage charges should the drivers and/or passengers exceed the limits of the data service plan. Professional driver under controlled environment. Be extra careful on difficult terrain. Some models shown with optional equipment and accessories. Always ensure that all cargo is properly secured before operating the vehicle. Sports equipment not included. Along with concerned conservationists everywhere, Suzuki urges you to Tread Lightly!® on public or private land. Specifications, comparisons and equipment are based on information available at time of printing and subject to change without notice. For more information, contact your local Suzuki Dealer or visit Suzuki.com. ©American Suzuki Motor Corporation 2012. Suzuki, the 'S' logo and Suzuki model names are Suzuki trademarks or ®.





Information Provided by:  
**DEALER**



Way of Life!