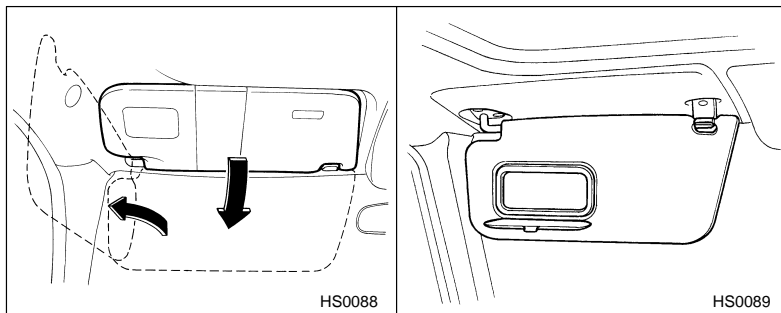


Interior equipment

Sun visors	6-2
Vanity mirror (if equipped)	6-2
Storage compartment	6-2
Glove compartment	6-3
Center console	6-3
Overhead console	6-4
Dashboard storage compartment (if equipped)	6-4
Door storage compartment	6-5
Coin tray	6-5
Cup holder	6-6
Clock	6-8
Accessory power socket	6-8
Cigarette lighter (if equipped)	6-11
Ashtray	6-13
Coat hook	6-14
Interior light	6-14
Spotlight	6-15
Cargo area light	6-16
Luggage cover (if equipped)	6-16
Shopping bag hook	6-18
Cargo anchorage eyelets	6-18
Under floor storage tray	6-19

Sun visors



To block out glare, swing down the visors. To use the sun visor at a side window, swing it down and move it sideways.

■ Vanity mirror (if equipped)

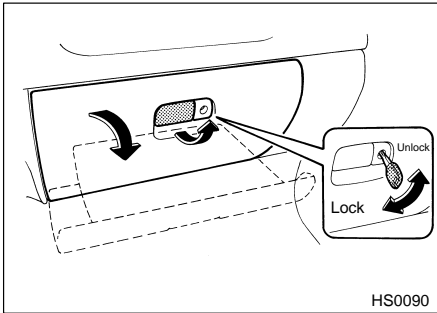
To use the vanity mirror, swing down the visor and open the cover.

Storage compartment

CAUTION

- Always keep the storage compartment closed while driving to reduce the risk of injury in the event of sudden stops or an accident.
- Do not store spray cans, containers with flammable or corrosive liquids or any other dangerous items in the storage compartment.

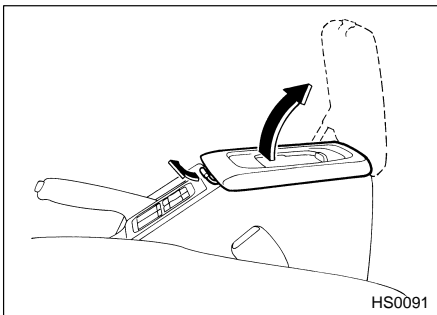
■ Glove compartment



To open the glove compartment, pull the handle. To close it, push the lid firmly upward.

To lock the glove compartment, insert the master key and turn it clockwise. To unlock it, insert the masterkey and turn it counterclockwise.

■ Center console

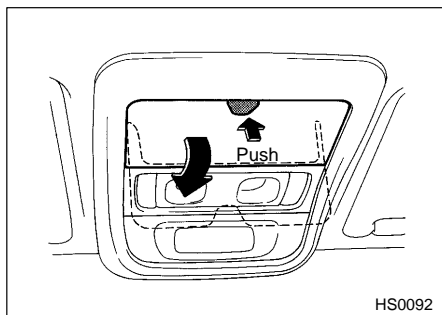


To open the lid, pull up the lock release.

■ Overhead console

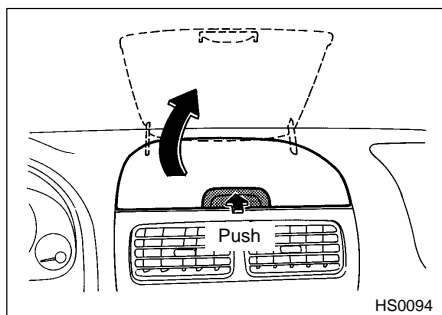
CAUTION

When your vehicle is in the sun or a warm day, the inside of the overhead console heats up. Avoid storing plastic or other heat-vulnerable or flammable articles such as a lighter in the overhead console.



To open the console, push the button and the console lid will automatically open.

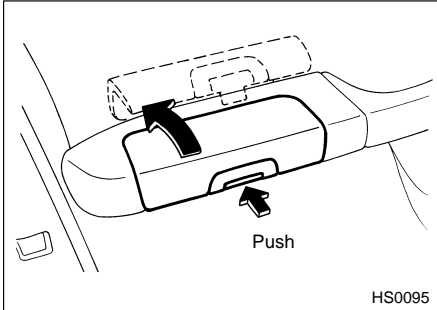
■ Dashboard storage compartment (if equipped)



To open the dashboard compartment, push the button and pull up on the

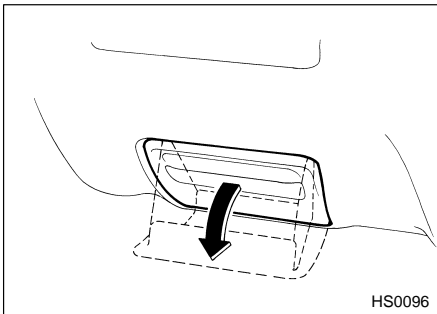
lid. Be sure to close the compartment fully before driving.

■ Door storage compartment



Each door is equipped with a door storage compartment. To open the compartment, push the button and pull up on the lid.

■ Coin tray



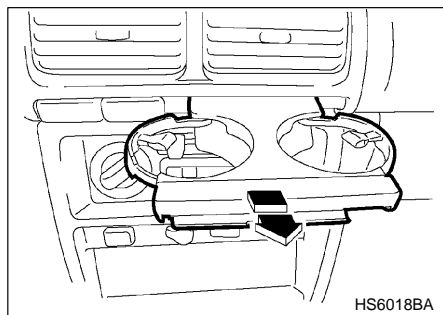
To open the coin tray, pull the upper edge of the lid.

Cup holder

CAUTION

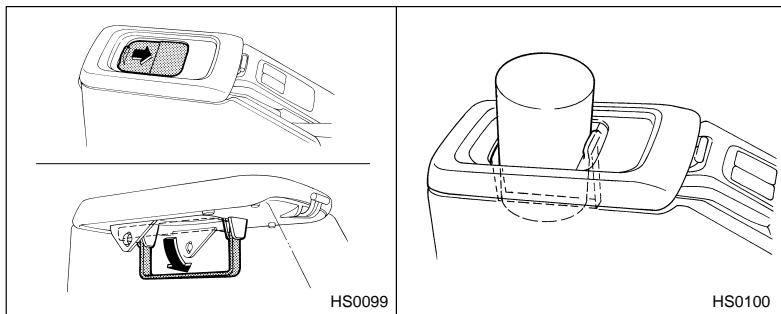
- When not in use, always keep the holder stored while driving to reduce the risk of injury in the event of a sudden stop or an accident.
- Do not pick up a cup from the cup holder or put a cup in the holder while you are driving, as this may distract you and lead to an accident.
- Take care to avoid spills. Beverages, if hot, might burn you or your passengers. Spilled beverages may also damage upholstery, carpets or audio equipment.

▼ In instrument panel



To use the cup holder, pull it out completely.

▼ Front passenger's cup holder

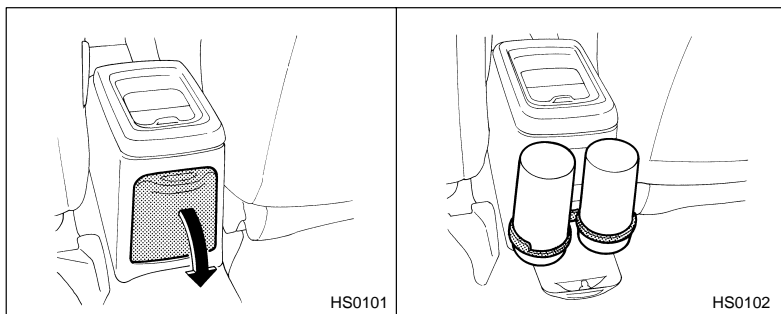


A front passenger's cup holder is also built in the lid of the center console. To use the cup holder, open the lid by sliding it forward and unfold the arm. Adjust the opening area by sliding the lid forward or rearward to fit the cup. When not in use, fold the arm and close the lid.

NOTE

On models equipped with a center console arm rest extension, the front passenger's cup holder must be eliminated to provide this feature.

▼ Rear passenger's cup holder

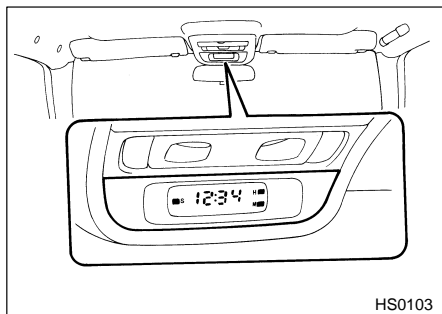


The rear passenger's cup holder is located at the back of the center

– CONTINUED –

console. To use the cup holder, open the lid by pulling its upper edge.

Clock



The clock displays the time when the ignition switch is in the "ACC" or "ON" positions.

▼ Setting the clock

To set the hour, press the "H" button. To set the minutes, press the "M" button. To reset the minutes to "00" with a radio time signal, push the "S" button.

Accessory power socket

▼ Electrical power socket located on the left-lower part of the instrument panel

CAUTION

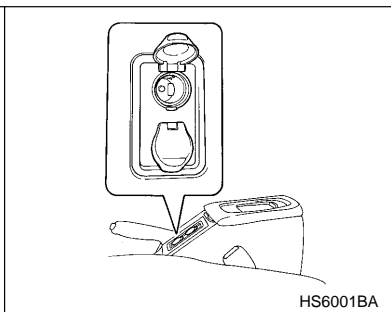
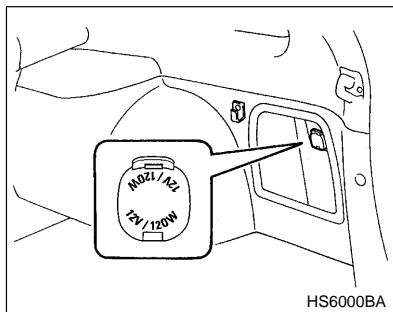
The electrical power socket located on the lower part of the instrument panel is designed to use only a SUBARU genuine cigarette lighter plug. Do not use non-genuine cigarette lighter plugs or any "plug-in" type electrical accessories in the socket. Doing so may cause a short-circuit and overheating, resulting in a fire. Refer to the "Cigarette lighter" section in this chapter.

▼ Accessory power socket in the luggage compartment and dual power socket (if equipped)



CAUTION

- Do not attempt to use a cigarette lighter in the accessory socket or dual power socket.
- Do not place any foreign objects, especially metal ones such as coins or aluminum foil, into the accessory socket or dual power socket. That could cause a short circuit. Always put the cap on the accessory socket and dual power socket when it is not in use.
- Use only electrical appliances which are designed for 12V DC and which consume less than 120W. Overloading the accessory socket or dual power socket can cause a short circuit. Do not use double adapters or more than one electrical appliance.
- If the plug on your electric appliance is either too loose or too tight for the accessory socket or dual power socket, this can result in a poor contact or cause the plug to get stuck. Only use plugs that fit properly.
- Use of an electric appliance in the accessory socket or dual power socket for a long period of time while the engine is not running can cause battery discharge.
- Before driving your vehicle, make sure that the plug and the cord on your electrical appliance will not interfere with your shifting gears and operating the accelerator and brake pedals. If they do, do not use the electrical appliance while driving.

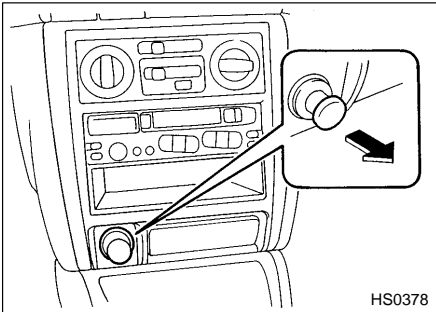


Electrical power (12V DC) from the battery is on tap at the socket when the ignition switch is either in the "ACC" or "ON" position. You can use an in-car use electrical appliance by connecting it to the socket.

Cigarette lighter (if equipped)

CAUTION

The electrical power socket located on the lower part of the instrument panel is designed to use only a SUBARU genuine cigarette lighter plug. Do not use non-genuine cigarette lighter plugs or any “plug-in” type electrical accessories in the socket. Doing so may cause a short-circuit and overheating, resulting in a fire.



The electrical power socket located on the lower part of the instrument panel can only be used as cigarette lighter socket. A cigarette lighter plug is an optional accessory. It is available from your SUBARU dealer. If smoking is not desired, always put the cap on the socket to prevent any foreign object from entering it.

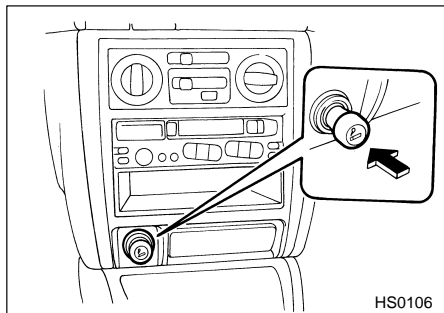
▼ Cigarette lighter (if equipped)

WARNING

To avoid being burned, never grasp the lighter by the end with the heating element. Doing so could result in injury and could also damage the heating element.

⚠ CAUTION

Do not hold the lighter pushed in, because it will overheat.



The cigarette lighter operates only when the ignition switch is in the "ON" and "ACC" positions.

To use the cigarette lighter, push in the knob and wait a few moments. It will automatically spring up when ready for use.

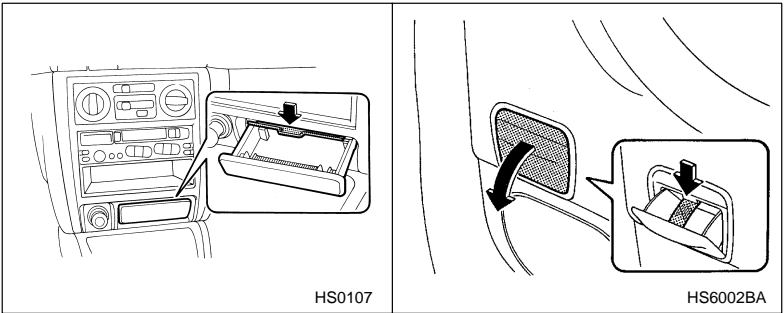
Ashtray



CAUTION

Do not use ashtrays as waste receptacles or leave a lighted cigarette in an ashtray. This could cause a fire.

Fully close the ashtray after using it to help reduce residual smoke.



▼ Front ashtray

To open the ashtray, pull the lid out.

To remove the ashtray for cleaning, open it and pull it out while pushing the inner plate down.

▼ Rear ashtray (if equipped)

To open the ashtray, pull the upper edge of the lid.

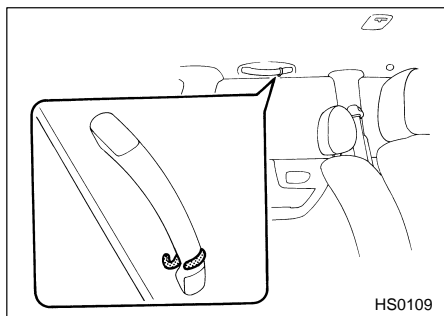
To remove the ashtray for cleaning, open it and pull it out while pushing the inner plate down.

Coat hook

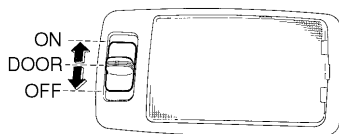
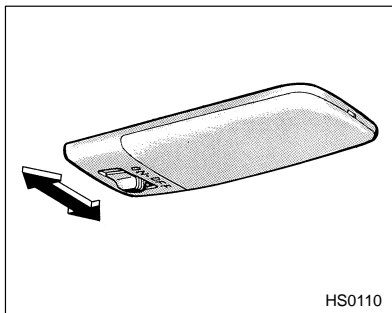
CAUTION

Never hang anything on the coat hook that might obstruct the driver's view or that could cause injury in sudden stops or in a collision. And do not hang items on the coat hook that weight 2.2 lb (1 kg) or more.

The coat hook is attached to the rear passenger's hand grip behind the driver.



Interior light



The interior light switch has three positions:

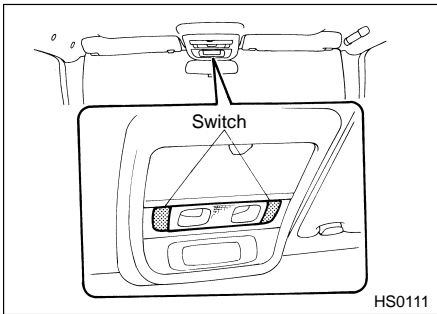
ON: The light stays on continuously.

Middle position: The light comes on when any door is opened and stays on for a few seconds after all doors are closed.

OFF: The light stays off.

When leaving your vehicle, make sure the light is turned off to avoid battery discharge.

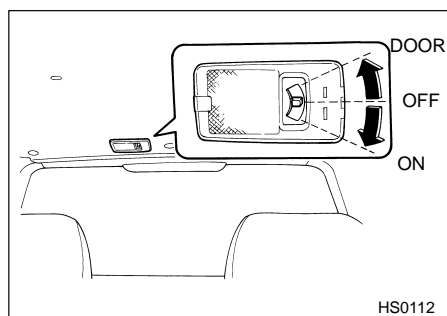
Spotlight



To turn on the spotlight, push the switch. To turn it off, push the switch again.

When leaving the vehicle, make sure the light is turned off to avoid battery discharge.

Cargo area light



The cargo area light switch has three positions:

ON: The light stays on continuously.

DOOR: The light comes on only when the rear gate is opened.

OFF: The light stays off.

When leaving your vehicle, make sure the light is turned off to avoid battery discharge.

Luggage cover (if equipped)

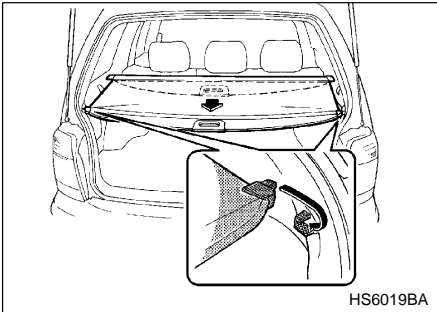


WARNING

Do not place anything on the extended cover. Putting excessive weight on the extended cover can break it and an object on the cover could tumble forward in the event of a sudden stop or collision. This could cause serious injury.

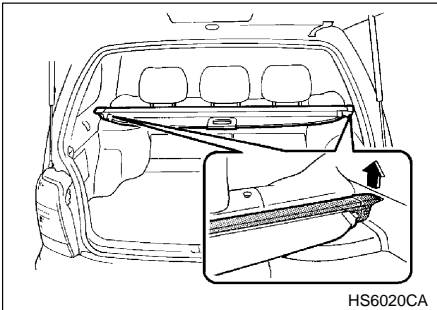
The luggage cover is provided for covering the cargo area and to protect its contents from direct sunlight. This cover is detachable to make room for additional cargo.

▼ Using the cover



To extend the cover, pull the end of the cover out of the housing, then insert its hooks into the catches as shown. To rewind it, unhook it from the catches and it will rewind automatically. You should hold on to the cover and guide it back into the cover housing while it is rewinding.

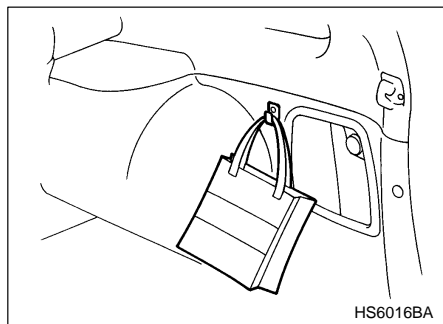
▼ To remove the cover



1. Rewind the cover.
2. To take it off the retainer, lift it out.
3. Store the cover housing in the cargo area.

To install the luggage cover, insert both ends of the cover housing into the retainers.

Shopping bag hook

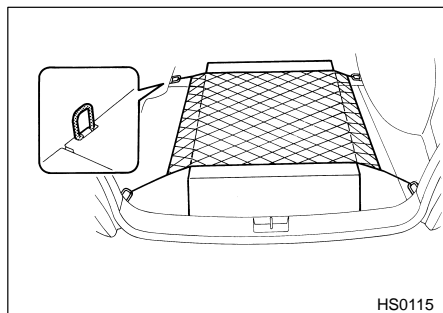


A shopping bag hook is attached to each side of the cargo area. You can hook a light shopping bag or something similar on it.

Cargo anchorage eyelets

CAUTION

The cargo anchorage eyelets are designed only for securing light cargo. Never try to secure any cargo which weighs more than the load capacity of the anchorage eyelets. The maximum load capacity is about 44 lb. (20 kg) per eyelet.



The cargo area is equipped with four anchorage eyelets so that cargo can be secured with a cargo net or ropes.

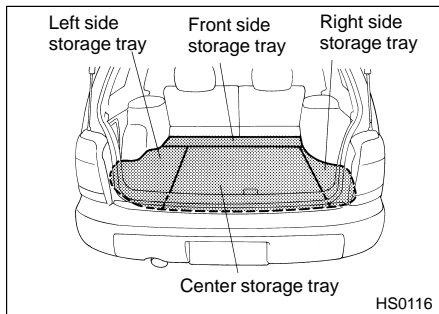
When using the anchorage eyelets, raise them up. When not in use, lower the eyelets down.

Under floor storage tray



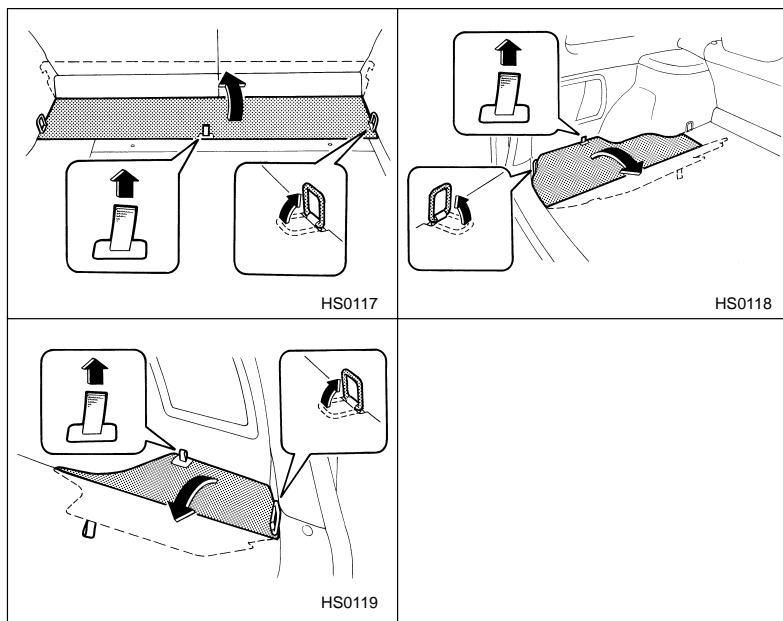
CAUTION

- Always keep the lid of the storage tray closed while driving to reduce the risk of injury in the event of sudden stops or an accident.
- Do not store spray cans, containers with flammable or corrosive liquids or any other dangerous items in the storage tray.

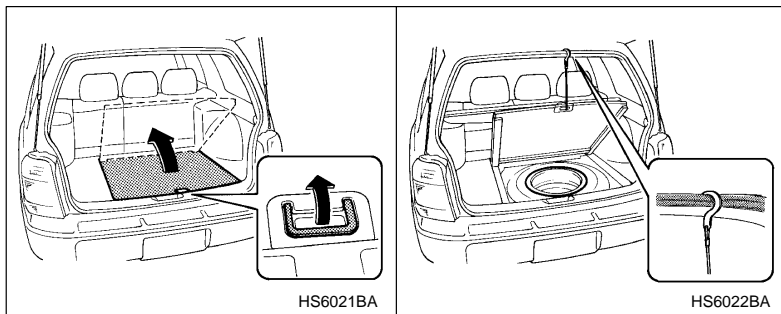


There are four storage trays under the floor of the cargo area. They can be used to store small items.

▼ Front, left and right side storage tray



To open the lid, raise the cargo anchorage eyelets and pull the tab up. The jack and jack handle are stored in the left side storage tray.

▼ Center storage tray

To open the lid, pull the handle up. To keep the lid open, hang the hook provided on the backside of the lid on the rear edge of the roof. The spare tire is stored under the storage tray.