

Saab 93

Owner's Manual

## **In-car safety**

There is an In-car safety & Quick Reference Guide found in your car which contains some quick reference concerning safety issues.

Make sure you keep this Reference Guide readily available for all occupants to review.

Replacement and/or additional Reference Guides may be ordered from your Saab dealer.

---

# Owner's Manual

## Saab 9-3 M2005

<b>Safety</b>	<b>11</b>
<b>Security</b>	<b>41</b>
<b>9-3 Convertible</b>	<b>55</b>
<b>Instruments and controls</b>	<b>77</b>
<b>Interior equipment</b>	<b>121</b>
<b>Starting and driving</b>	<b>145</b>
<b>Car care</b>	<b>197</b>
<b>Customer Assistance and Information</b>	<b>261</b>
<b>Technical data</b>	<b>267</b>
<b>Index</b>	<b>283</b>



## Introduction

This manual provides practical guidance on driving and caring for your Saab.

The Saab 9-3 will be available with the following engine variants:

- 2.0t 175 hp
- 2.0 Turbo 210 hp

Although this manual describes the most important differences between model variants, it does not specify the equipment or features included on individual models.

Importation and distribution of Saab automobiles, spare parts and accessories are handled exclusively by Saab Cars USA, Inc. in the United States and by General Motors of Canada Limited in Canada.

We recommend that you read through the manual before taking the car out for the first time and keep it in the car for future reference.

To find a specific item, use the overviews given on page 3–6. A list of content is given at the beginning of each section of the manual, and there is also a comprehensive index at the back of the book.

Supplied with the car is a Warranty and Service Record booklet which contains important warranty information and specifies the regular maintenance to be carried out. Also included is a Quick Reference Guide, an Infotainment System manual, tire warranties and (U.S. customers), a dealer directory with Roadside Assistance Program information.

### **WARNING**

Failure to heed warnings may cause personal injury.

### **NOTICE**

NOTICE texts warn of potential damage to the car if the recommendations are not followed.

Since the policy at Saab is one of continual improvement, we retain the right to incorporate modifications and to alter specifications during production without prior notice.

If you have any questions concerning your car, its equipment, the warranty conditions, etc., your Saab dealer will be pleased to help, or you may call the Saab Customer Assistance Center in the U.S. at 1-800-955-9007 or email them at [saab-crm@saabusa.com](mailto:saab-crm@saabusa.com). In Canada, please contact the Saab Customer Assistance Center at 1-800-263-1999.

Enjoy the road ahead!  
Saab Automobile AB

Saab Automobile AB does not accept liability for any damage caused by the fitting of spare parts, exchange parts or accessories that are not approved by Saab Automobile AB.

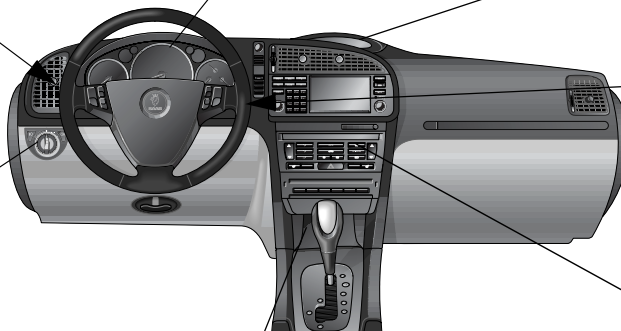
## Instrument panel

Cruise Control _____	165
Direction indicators _____	98
High/low beam control stalk _____	97

Changing bulbs _____	213
Front fog lights _____	98
Headlight levelling _____	96
High/low beam _____	97
Parking lights _____	96
Rear fog light _____	98

Fuel gauge _____	85
Odometer and trip meter _____	83
Speedometer _____	83
Tachometer _____	82
Temperature gauge _____	84
Turbo gauge _____	84
Warning and indicator lights _____	78

Clock _____	92
Profiler _____	87
Saab Information Display (SID) _____	87



Replacing wiper blades _____	211
Washers and wipers _____	100
Washer fluid _____	211

Automatic climate control _____	108
Car care and maintenance _____	257
Hazard warning lights _____	99
Manual climate control _____	103
Seat heating _____	107
Seat heating, ACC _____	116

Ashtray _____	132
Cigarette lighter _____	132

## Exterior

Anti-corrosion treatment _____	254
Body _____	253
Service program _____	262
Sunroof _____	126
Touching up paintwork _____	253
Washing _____	252
Waxing and polishing _____	253

Brake lights _____	220
Changing bulbs _____	213
Light switches _____	96
Taillights _____	220

Folding down the rear seat _____	140
Lighting _____	220
Load-through hatch _____	142
Spare wheel _____	144
Tools _____	144
Trunk _____	140

Towing _____	190
Towing hook eyes _____	190
Towing a trailer _____	184

Maximum loads _____	268
Mounting holes for roof carriers _____	188
Roof load _____	188

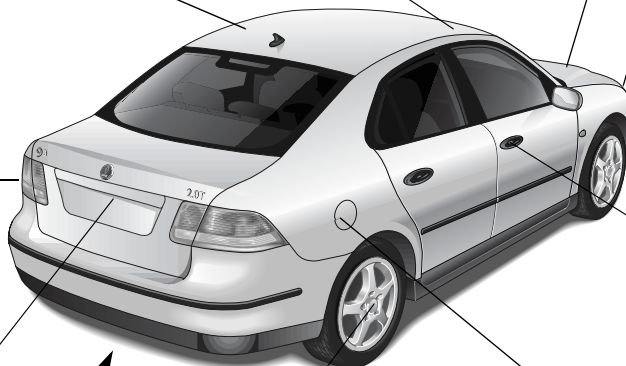
Hood _____	198
Washing the engine bay _____	252

Changing bulbs _____	213
Dipswitch _____	96
Direction indicators _____	98
Front lights _____	215
Headlight levelling (xenon) _____	96
Headlight switches _____	96
Headlight washers _____	211

Central locking _____	42
Child safety locks _____	46
Lock buttons _____	42
Trunk lock _____	45

Braking _____	166
Changing wheels _____	248
Spare wheel _____	246
Tire pressure _____	277
Tires _____	234
Wheels _____	275
Winter driving _____	181

Economical motoring _____	179
Fuel filler door _____	153
Fuel gauge _____	85
Fuel grade _____	271
Refueling _____	153



# Interior

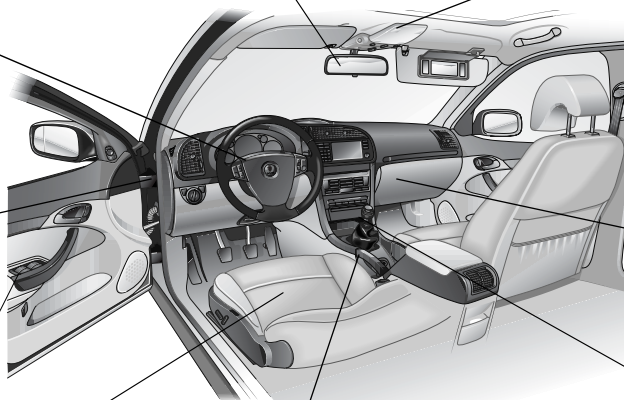
Interior rearview mirror _____	135
Vanity mirror _____	130
Door mirrors _____	134

Interior lighting: changing bulbs ____	225
Interior light switches _____	129
Sunroof _____	126

Airbag _____	29
Steering wheel adjustment _	122
Steering _____	273

Fuses _____	227
-------------	-----

Electric windows _____	123
------------------------	-----



Airbag _____	29
Child safety locks _____	46
Child seats _____	22
Safety belt care _____	251
Safety belts _____	12

Glove box _____	132
Storage compartments ____	132

Automatic transmission ____	159
Changing gears _____	158
Manual transmission _____	158

Child seats _____	22
Folding down the rear seat ____	140
Rear seat _____	140
Safety belts _____	12
Seat adjustment _____	17
Seat heating _____	107,
	116
Upholstery care _____	251

Ashtray and cigarette lighter _____	132
Break-In Period _____	157
Driving in hot/cold climates _____	181
Ignition switch _____	146
Parking brake _____	173
Parking _____	173
Starting the engine _____	148

# Engine bay

Color code _____	278
Engine number _____	278
Gearbox number _____	278
Warning labels _____	7
Vehicle identification number _____	278

Alternator _____	210
Drive belt _____	210
Exhaust emission control _____	151
Ignition system _____	272
Simple troubleshooting (A/C, ACC) _____	257
Spark plugs _____	272
Turbo gauge _____	84

Engine oil: checking level _____	202
----------------------------------	-----

Automatic transmission _____	159
Transmission: technical data _____	272
Manual transmission _____	158

Changing engine oil _____	203
Engine: description _____	199
Engine: technical data _____	270
Important considerations for driving _____	150
Oil grade and viscosity _____	270

Coolant: checking/topping-up _____	205
Driving in hot climates _____	183
Radiator _____	270
Temperature gauge _____	84

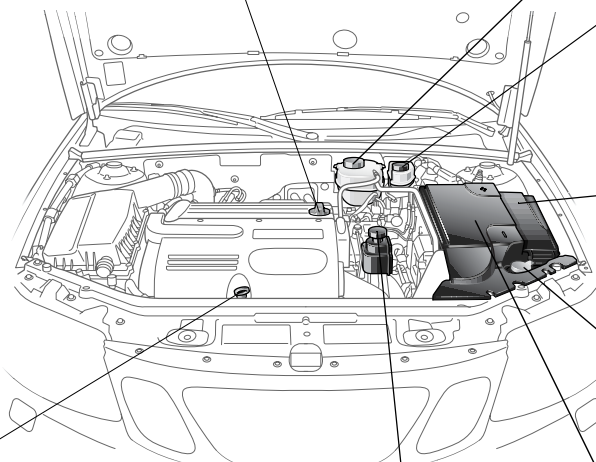
ABS brakes _____	166
Brake pads _____	206
Brake system _____	274
Brake fluid _____	206

Changing a fuse _____	227
Fuse table _____	232
Fuses _____	227
Relays _____	232

Topping-up fluid _____	211
Wash/wipe stalk switch _____	100
Washer fluid _____	211
Washer jets _____	212

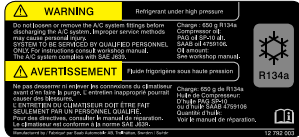
Power steering _____	207
Fluid: checking/topping up _____	207

Battery _____	208
Battery charge _____	208
Jump starting _____	193





## Warning labels



### A/C system:

Refrigerant at high pressure.

Do not loosen or remove the A/C system fittings before discharging the A/C system. Improper service methods may cause personal injury. **System to be serviced by qualified personnel only.** For instructions consult dealer manual.

The A/C system complies with SAE J639.

Charge: 680 g R134a.

Compressor oil: 150 cc PAG oil SP-10 alt.  
Saab oil 4759106



### Battery:

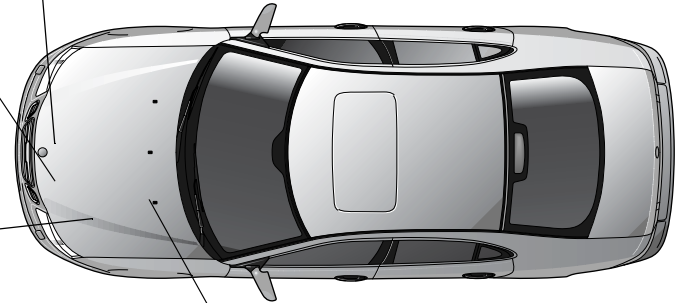
- No sparks, flames or smoking
- Shield eyes, explosive gases can cause blindness or injury
- Sulphuric acid can cause blindness or severe burns
- Flush eyes immediately with water. Get medical help fast
- Do not tip battery. Do not open battery

- NO SPARKS, FLAMES OR SMOKING
- SHIELD EYES
- KEEP OUT OF REACH FROM CHILDREN
- ACID
- SEE OWNER'S MANUAL
- EXPLOSIVE GAS



### Radiator fan:

Radiator fan may start at any time.



### CANADA

NETTOYER LE BOUCHON DE REMPLISSAGE AVANT DE L'ENLEVER. UTILISER SEULEMENT DU LIQUIDE DOT 4 PROVENANT D'UN CONTENANT SCÉLLÉ.



### Coolant:

Never open when engine hot!

**WARNING**

DEATH or SERIOUS INJURY can occur

- Children 12 and under can be killed by the air bag
- The **BACK SEAT** is the **SAFEST** place for children
- **NEVER** put a rear-facing child seat in the front
- Sit as far back as possible from the air bag
- **ALWAYS** use **SEAT BELTS** and **CHILD RESTRAINTS**

SAAB Automobile AB 12 795 102

USA

**WARNING / AVERTISSEMENT**

DEATH or SERIOUS INJURY can occur

Children 12 and under can be killed by the air bag. The **BACK SEAT** is the **SAFEST** place for children. **NEVER** put a rear-facing child seat in the front. Sit as far back as possible from the air bag.

**ALWAYS** use **SEAT BELTS** and **CHILD RESTRAINTS**.

**Danger of MORT or de BLESSURES GRAVES.**

Les enfants de moins de 12 ans peuvent être tués par le siège avant. Le **SIÈGE ARRIÈRE** est l'endroit le **PLUS SÛR** pour les enfants. **NE JAMAIS** placer un enfant dans un siège de protection pour enfants tourné face à l'avant.

Prévenez les décès et les blessures graves.

Les enfants de moins de 12 ans peuvent être tués par les dispositifs de protection pour enfants.

SAAB Automobile AB 12 795 102

CANADA

DEATH or SERIOUS INJURY can occur

- Children 12 and under can be killed by the airbag
- The **BACK SEAT** is the **SAFEST** place for children
- **NEVER** put a rear-facing child seat in the front
- Sit as far back as possible from the airbag
- **ALWAYS** use **SEAT BELTS** and **CHILD RESTRAINTS**

**AVERTISSEMENT**

Le jack est conçu uniquement pour remplacer un pneu ou passer une chaîne à neige.

Le véhicule doit être sur niveau et le jack doit être placé sur un point d'appui solide.

Ne jamais se tenir sous un véhicule qui est soulevé.

**ATTENTION: Les enfants**

1. S'assurer que le véhicule est correctement immobilisé et que les freins sont serrés.
2. Placer le cric sur un des points d'appui solides ou le monter sur une roue pleine.
3. Lever le véhicule à l'aide du cric. Si le cric est placé à l'arrière, les boulons de roue doivent être serrés à fond.
4. Lever le véhicule jusqu'à ce que le pneu soit complètement libre.
5. Desserrer les boulons de roue complètement et retirer le pneu.
6. Placer le cric sur un autre point d'appui solide.
7. Abaisser le véhicule. Serrer les boulons de roue en croix.

SAAB Automobile AB 12 795 102

**WARNING**

Jack is designed only for changing a tire or mounting tire snow chains.

Vehicle must be level and jack must be placed on firm and level ground.

**NEVER** stand under vehicle when it is jacked up.

**ATTENTION: Children**

1. Set parking brake and shift transmission to park.
2. Fit top of jack into jacking point next to wheel to be changed.
3. Crank jack so that vehicle begins to lift.
4. Using socket wrench in tool kit, loosen wheel bolts one-half turn.
5. Raise vehicle so that tire clears ground. Loosen wheel bolts completely and remove wheel.
6. Mount spare wheel and tighten bolts enough to wheel is not loose.
7. Lower vehicle. Tighten wheel bolts in a crisscross sequence.

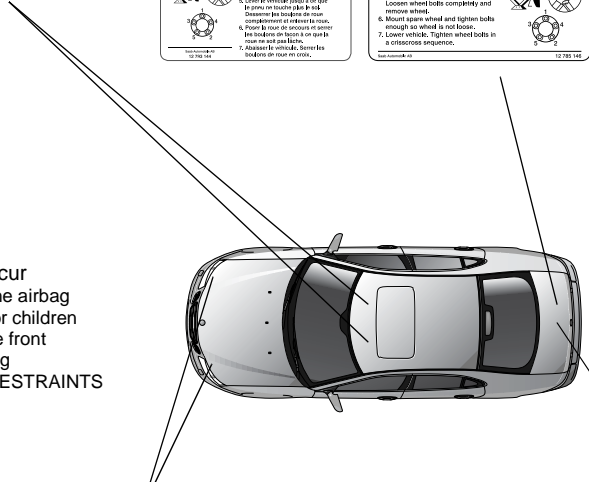
SAAB Automobile AB 12 795 102

**Jack**

- Jack is designed only for changing a tire or mounting tire snow chains.
- Vehicle must be level and jack must be placed on firm and level ground.
- Never crawl underneath vehicle when it is jacked up.

**JACKING INSTRUCTION**

- 1 Set parking brake and shift transmission to park.
- 2 Fit top of jack into jacking point next to wheel to be changed.
- 3 Crank jack so that vehicle begins to lift.
- 4 Using socket wrench in tool kit, loosen wheel bolts one-half turn.
- 5 Raise vehicle so that tire clears ground. Loosen wheel bolts completely and remove wheel.
- 6 Mount spare wheel and tighten bolts enough so wheel is not loose.
- 7 Lower vehicle. Tighten wheel bolts in a crisscross sequence.



SAAB Automobile AB 53 27 881

Contact a Saab dealer if a xenon headlight requires replacement.

This label is only found on cars with xenon headlights.

SAAB Automobile AB 12 795 102

SAAB Automobile AB 12 795 102

**Changing wheels:**

Use only on specified vehicle. Safe working load 2425 lbs. (1100 kg). Use on level firm ground only. Do not get under a vehicle that is supported only by a jack, use vehicle support stands. No persons are to remain in the vehicle.



---

(This page has been left blank.)

# Safety



Safety belts	_____	12
Seats	_____	17
Head restraints	_____	21
Child safety	_____	22
Airbag	_____	29

BB3775

## Safety belts

### WARNING

- Buckle up and adjust your safety belt before driving off so that you can pay full attention to the traffic.
- Safety belts must be worn **at all times** by all occupants.
- Child safety, see page 22.
- Check that the locking tongue is properly locked in the belt lock.
- In the event of a crash, a rear-seat passenger not wearing a safety belt will be thrown forward against the front-seat backrests. The stresses imposed on the front seat passengers and belts are multiplied and can result in needless injury or even death for all car occupants.

Three-point inertia-reel safety belts are provided for all seats.

The results of studies show that it is equally important to wear safety belts in the rear seat as in the front seats.

### Safety belt reminder

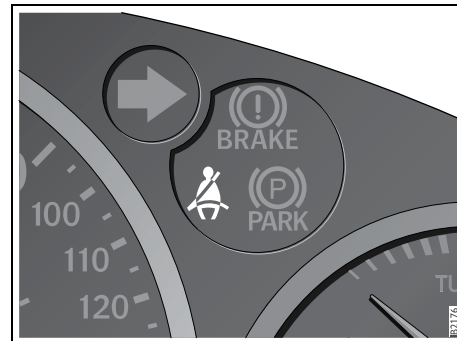
When the ignition is switched on, the safety belt reminder in the main instrument panel will come on if the driver has not buckled up.

In addition an audible signal sounds for 4–8 seconds, or until the driver fastens his belt.

The front seat passenger is reminded to buckle up by the Saab Information Display (SID).



Use your seatbelt.



*Driver seat safety belt reminder*



*Correct seating position*

## Correct position for safety belt

### ⚠ WARNING

Proper positioning of the safety belt is extremely important.

- An out of position safety belt can result in the wearer sliding underneath the belt in a crash (submarining) and injury can result from the lap portion cutting into the abdomen.
- **Never** fasten the safety belt with the shoulder belt behind the body or pull the belt off the shoulder and under the arm.
- Two people must **never** share one safety belt. In the event of a crash those sharing a belt risk being crushed together and injured.

Consider this:

- Position the lap strap snugly and low across the hips so that it just touches the thighs.

The shoulder strap must be as far in on the shoulder as possible.

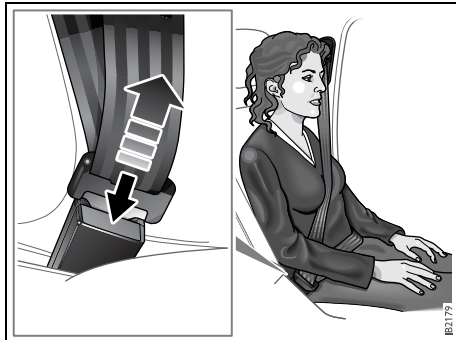
- Check to ensure that the belt is not twisted or rubbing against any sharp edges.
- There should not be any slack in the belt. Pull the belt tight – particularly important when thick outer clothing is worn. It

is advisable to remove thick items of clothing.

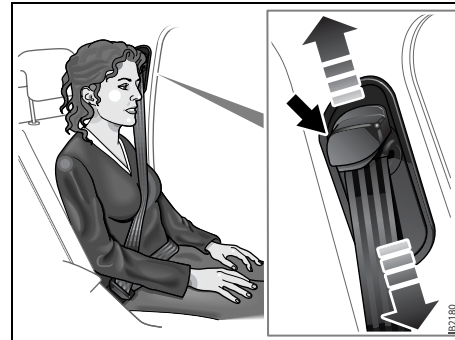
- Refrain from tilting the backrest more than necessary, as the safety belt provides better protection when the seat is in the more upright position.
- Only one person per safety belt!
- For most of the time a safety belt is worn, the retractor will allow the wearer freedom of movement. The retractor locks up automatically if the belt is jerked or withdrawn sharply, the car tilts, the brakes are applied hard or a crash occurs.
- Children up to 6 years of age must always be seated in a child seat. Saab recommends the use of a child seat for children up to the age of 10.
- Children who have grown out of a child seat should be restrained by the car's standard three-point belts. Make sure that the shoulder belt is not in contact with the neck or throat. If it is, a booster seat/cushion may be necessary.



*To fasten the belt*



*Press the red button to release the belt*



*The belt guide on door pillar*

## Front safety belts

Fasten the belt by pulling the belt and inserting the tongue in the buckle. Check that it is securely fastened.

Position the lap part low across the hips.

Grasp the shoulder belt close to the buckle and pull the belt towards the shoulder to tighten the lap belt part.

The belt must be as far in on the shoulder as possible.

Press the red button on the belt buckle to release the belt.

The front safety belts have their lower anchorage points on the seats. The safety belts follow the seats when the legroom is adjusted.

Refer to page 251 for how to check the function of the safety belts, cleaning, etc.

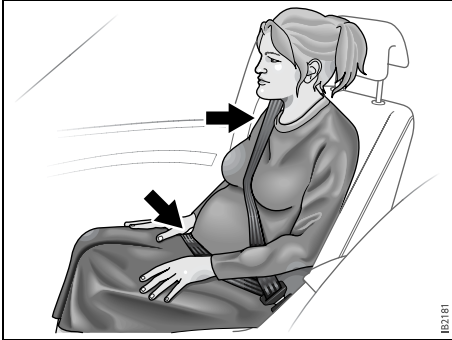
## Belt height adjustment, Sport Sedan

The belt guide on the door pillar for the front safety belts can be set at different heights. The front belt guide in the Convertible is not adjustable due to the belt being incorporated into the seat.

Adjust the belt so that it is as high up as possible without rubbing against the neck. To avoid chafing in the case of a short person, the guide can be lowered until the belt comes about an inch (a few centimeters) from the throat but still provides safe restraint.

Raise the belt guide by pushing it upward to the desired position. To lower it, depress the catch release button while lowering the guide. Check that the guide locks in its new position.





### Safety belt use during pregnancy

Pregnant women must **always** wear a safety belt to protect both themselves and the unborn child.

The lap belt should be placed low, across the hips and over the upper thighs.

### Safety belt pretensioners



If the car is involved in a crash, the safety belts, belt pretensioners and other components must be inspected by an authorized Saab dealer and replaced as necessary.

Never make any alterations or repairs to the safety belt yourself. Visit an authorized Saab dealer for any necessary repairs.

**Sport Sedan:** The front safety belts are equipped with pretensioners and force limiters. The pretensioners are activated in the event of a violent frontal or side-on crash. The safety belt pretensioners are only activated if the safety belt in question is in use but not activated should the car roll over.

The safety belt pretensioners serve to reduce the forward movement of the body by tensioning the belt. The force limiters reduce belt loads on the body by "slackening" the safety belt slightly to absorb the body's kinetic energy as gradually as possible.

**Convertible:** The front and rear safety belts are equipped with pretensioners and force limiters. The pretensioners are activated in the event of a violent frontal or side-on crash. The front safety belt pretensioners are only activated if the safety belt in question is in use.

The safety belt pretensioners serve to reduce the movement of the body by tensioning the belt, including in a roll over crash. The force limiters reduce belt loads on the body by "slackening" the safety belt slightly to absorb the body's kinetic energy as gradually as possible.

**Safety belts, rear seat**

**Safety belts rear seat, Convertible, see page 69**

**! WARNING**

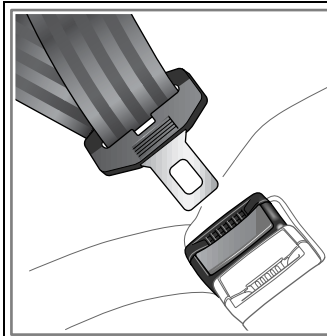
- Make sure that the belt does not become trapped when the backrest is folded down or raised (see page 140).
- If cargo has to be placed on a seat, it must be properly secured with the safety belt. This reduces the risk of the cargo being thrown about during hard braking or a crash, which could cause personal injury.
- Check that the belt is not twisted or lying against sharp edges.
- Make sure you use the correct safety belt buckle. The buckles for the center and left-hand rear seats are close together.

The three rear seats all have three-point safety belts with inertia reels.

Fasten the belts by pulling the belt across you and inserting the tongue into the buckle. Check that it is securely fastened.

Grasp the shoulder belt close to the buckle and pull the belt towards the shoulder to tighten the lap belt part.

The belt must be as far in on the shoulder as possible.



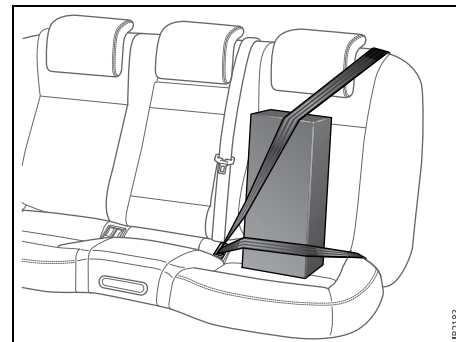
*Rear safety belts*

Press the red button on the buckle to release the belt.

See page 251 for the checking of belt function, cleaning, etc.



*Securing an item on the rear seat*



## Seats

### WARNING

Never adjust the driver's seat except when the car is stationary.

### Manually adjusted front seats (if equipped)

The following front seat adjustments can be made to achieve a comfortable driving position:

- **Height**  
Sport Sedan - driver's seat  
Convertible - both seats
- **Legroom**  
Sport Sedan - both seats  
Convertible - both seats
- **Backrest rake angle**  
Sport Sedan - both seats  
Convertible - both seats
- **Lumbar support firmness**  
Sport Sedan - driver's seat  
Convertible - only electrically adjustable front seats
- **Head restraint height**  
Sport Sedan - both seats  
Convertible - both seats

We recommend that adjustments to the driver's seat be performed in the following order:

- 1 Height
- 2 Legroom
- 3 Backrest rake angle
- 4 Head restraint height

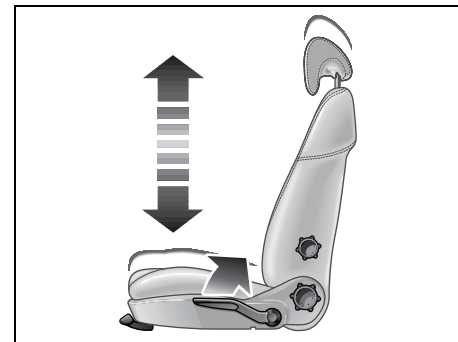
Lastly, adjust the position of the steering wheel (see page 122).

### Electrically adjustable front seats

See page 19.

### Electric heating, front seats (option)

See pages 107 and 116.

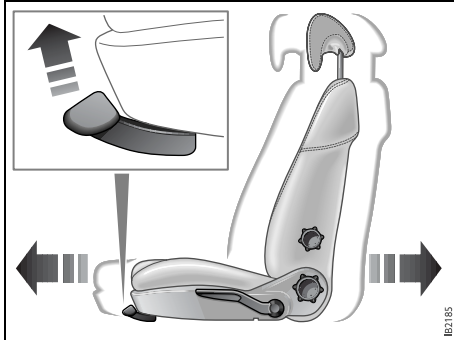


### Height adjustment

#### Sport Sedan, driver's seat Convertible, both front seats

Lift the lever to raise the seat. The lever is spring-loaded to return to its neutral position. Repeated lifting of the lever will increase the height in steps.

Press down the lever to lower the seat. Repeated downward presses of the lever will lower the seat in steps.



*Adjusting the legroom*



*Adjusting the backrest*



*Adjusting the lumbar support*

### **Legroom adjustment**

Lift the lever under the front of the seat and slide the seat to the desired position.

#### **! WARNING**

Check that the seat is locked in the new position. If not, it may move while the car is being driven and it could result in injury to the occupant in the event of a crash.

### **Backrest rake angle**

#### **! WARNING**

The backrest should be upright during driving, so that the safety belt, airbag and backrest can provide optimum protection in the event of emergency braking or a crash, in particular a rear-end crash.

To find the most comfortable position, turn the knob to provide stepless adjustment of the backrest.

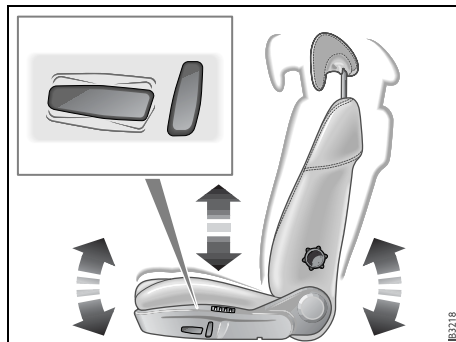
### **Lumbar support, Sport Sedan**

Adjust the firmness of the lumbar support by turning the knob.

## Electrically adjustable front seats (option)

### WARNING

- The seats are actuated by powerful motors. Bear this in mind when adjusting the seat, and make sure that nothing gets caught and damaged. Ensure that nothing can be trapped behind the seat when adjusting it.
- Bear in mind that children can be injured if they play with the electrically-operated seats.
- **Always** remove the remote control when you leave the car to prevent personal injury caused by the electrically adjustable seats, for example, due to children playing. Electrically adjustable front seats with memory function, see page 20.

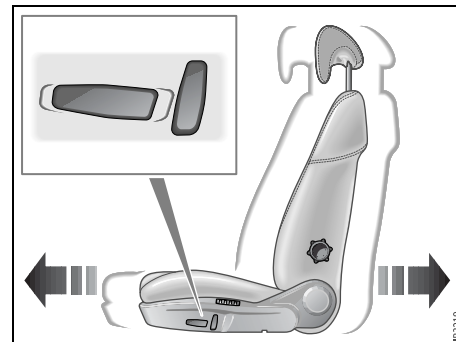


*Adjusting the height and angle*

### Height adjustment and seat angle

Adjust the height of the seat with the rear section of the front lever.

Adjust the angle of the seat with the front section of the front lever.



*Adjusting the legroom*

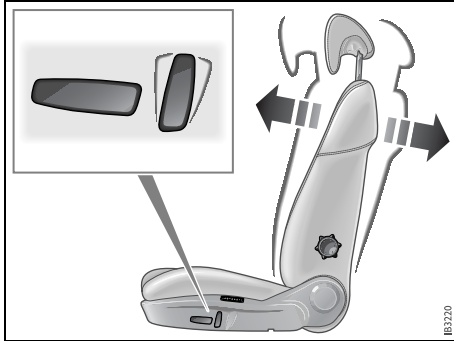
### Legroom adjustment

Adjust the legroom with the front lever.

With the doors closed the seats can only be adjusted when the ignition is ON.

However, there are two exceptions:

- To facilitate getting into the car, both seats can be adjusted when either of the front doors is open.
- The seats can be adjusted up to 2 minutes after both doors have been closed (applicable only to cars without window and sunroof pinch protection).



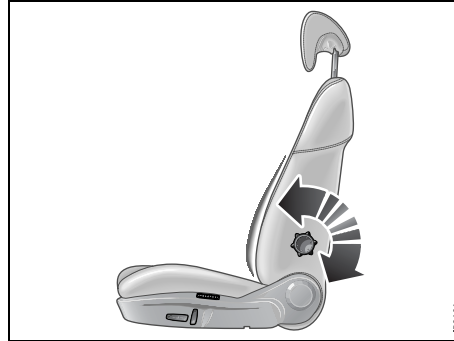
*Adjusting the rake angle*

### Backrest rake angle



The backrest should be upright during driving, so that the safety belt, airbag and backrest can provide optimum protection in the event of emergency braking or a crash, in particular a rear-end crash.

Adjust the rake angle of the backrest with the rear lever.



*Adjusting the lumbar support  
Driver's seat in Sport Sedan*

### Lumbar support, driver's seat

Adjust the firmness of the lumbar support by turning the knob.



*Memory function buttons*

### Memory function (option)



The legroom of the electrically operated driver's seat can always be adjusted, whether or not a front door is open and irrespective of the position of the ignition switch.

When the ignition is ON, all seat settings can be adjusted. When the door is open and before the remote control has been inserted into the ignition switch, all seat settings can be adjusted for up to 20 minutes.

The memory also includes the door mirror settings.

### Storing and restoring settings

- 1 Adjust the seat and the door mirrors. The lumbar support is not included by the memory function.
- 2 Press and hold the M-button and then press one of the preselect buttons (1, 2 or 3). A chime will sound to confirm that the settings have been saved.

To recall programmed settings, press and hold the desired memory button until the seat and door mirrors adopt their programmed positions. The memory function also includes the door mirror settings.

To facilitate reversing, the passenger-side door mirror can be angled down, refer to page 134.

## Head restraints

**Sport Sedan**

**Head restraint, Convertible, see page 68.**

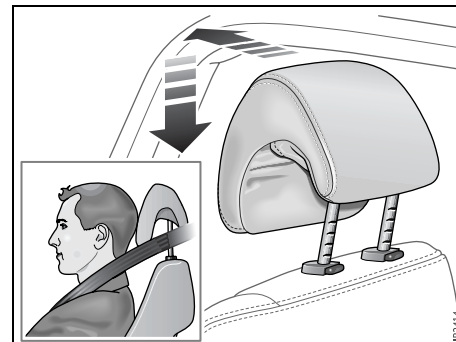
### ! WARNING

- Adjust the head restraint so that the head is optimally supported and the center of the head restraint is at ear height, thus reducing the likelihood of neck injury in a crash.
- Raise the head restraints in the seats that are occupied.

The front seats are equipped with Saab Active Head Restraints (SAHRs). These are designed to reduce the risk of neck injury if the car is hit from behind.

The SAHR is a mechanical system, actuated by body weight. The mechanism is built into the top of the backrest, where it is connected to the head restraint.

In the event of a rear-end crash, the body is forced back against the backrest. This, in turn, causes the mechanism to press the head restraint forward and upward, thus limiting the backward movement of the head.



Therefore, the SAHR does not normally need to be replaced or repaired after a rear-end crash.

The front and rear head restraints can be raised and lowered to a number of positions.

- Raising: grasp the head restraint on both sides and pull it straight up.
- Lowering: Press the head restraint forward and downward.

The rear head restraints can be fully lowered to improve rearward vision when the rear seats are unoccupied.

## Child safety

### WARNING

- Children must **always** be suitably restrained in the car.
  - **DEATH** or **SERIOUS INJURY** can occur
  - Children 12 and under or shorter than 55 inches (140 cm) can be killed by the airbag
- The **BACK SEAT** is the **SAFEST** place for children
- **NEVER** put a rear-facing child seat in the front
- Sit as far back as possible from the airbag
- **ALWAYS** use **SAFETY BELTS** and **CHILD RESTRAINTS**



### WARNING

- **Never** leave children unattended in a car, even for a short time.
  - Children can suffer heat stroke, perhaps die, in a matter of minutes.
  - Children can put the car into gear and hurt themselves or others.
- At gas stations, take the remote control out of the car while filling the tank.
- **Never** allow children to climb on top of or under motor vehicles.
- **Always** look for children before backing your car out of a garage or driveway.
- To avoid carbon monoxide poisoning, **never** let a car idle in an enclosed garage.
- Supervise young children around buckets of water while washing your car. Small children can drown in a short time in less than an inch of water.

### WARNING

#### **Protect children from getting trapped in the trunk of your car**

- Teach children not to play in or around cars.
- Watch children when loading or unloading the car so they don't get locked in by mistake.
- **Always** lock the doors and trunk of your car, and keep the keys out of children's sight and reach.
- Keep the rear fold-down seat closed to help prevent children from getting into the trunk from inside the car.



## **General information on child safety**

The same attention must be given to child safety in the car as is given to adults.

Children travel most safely when properly restrained. However, the type of restraint must be appropriate for the size of the child. Always consult your Saab dealer before fitting a child seat, child restraint or booster cushion.

### **Make sure you are acquainted with the legal requirements for seating children in the car.**

Make sure that it is possible to fit a child restraint in accordance with the manufacturer's child restraint instructions.

### **When fitting child restraints in cars you must always read the instructions supplied by the child restraint manufacturer.**

**Saab recommends the use of a rear-facing child seat for as long as this is possible - at a minimum for all children under the age of 3 (approx. 15 kg). Use a child seat approved for the weight of the child.**

Saab recommends the use of a booster seat for children up to the age of 10.

## **LATCH**

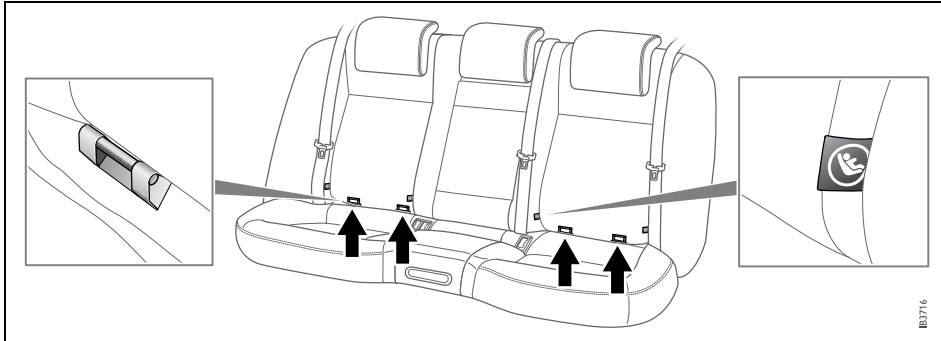
LATCH (Lower Anchorages & Top tethers for CHildren) is a US/Canadian safety standard for a uniform method of fitting child restraints without using the standard safety belts. Only certain child restraints are equipped to utilize the LATCH system.

The LATCH system is installed in the car to facilitate proper fitting of child restraints designed for and equipped with LATCH attachments.

The LATCH system consists of top tether and lower anchorages (also called ISOFIX). In this vehicle, LATCH is installed at the two outboard seating positions in the rear seat, and there is a top tether on the rear center position (not Convertible). The top tethers are located on top of the parcel shelf (Convertible: behind the head restraints), see page 26. They are covered by a lid with a child seat anchor symbol. The lower anchorages are located where the seat cushion and seat back come together. There is a label above the inner lower anchorage, see picture on next page. Label consists of a symbol of a child restrained in a seat inside a circle.

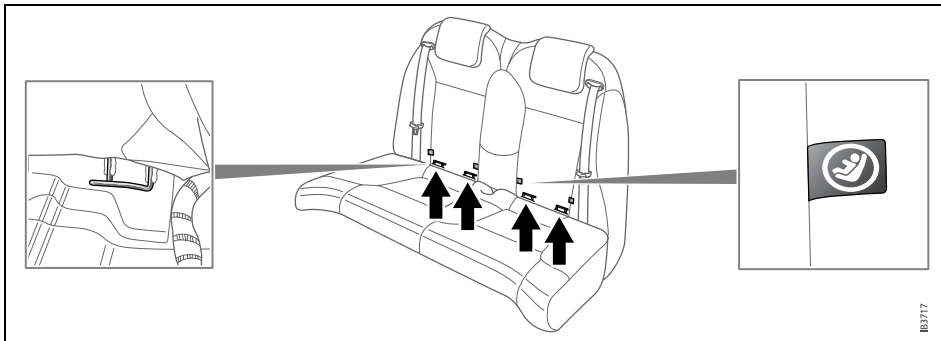
When fitting child restraints in cars you must always read the instructions supplied by the child restraint manufacturer.

If you have any questions regarding LATCH please contact your Saab dealer.



*Lower anchorages (ISOFIX) in the rear seat, Sport Sedan*

*Lower anchorages (ISOFIX) in the rear seat, Convertible*



### LATCH child seat installation

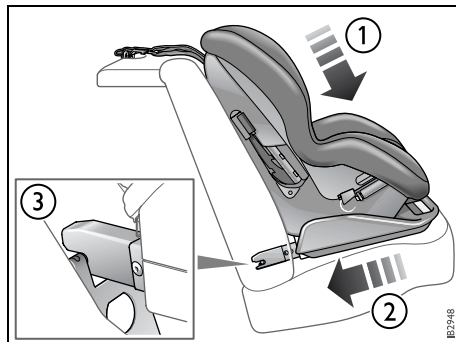
Before starting the installation, please read through this instruction, and the child seat installation instruction.

- 1 Place the child restraint on one of the designated outboard rear seat cushions.
- 2 Slide the attachment on the child restraint in between the seat cushion and backrest.
- 3 Press the child restraint down on the seat, **1** in illustration.
- 4 Press the child restraint rearward, lining up the inner restraint attachment arm with the label, **2** in illustration.
- 5 Connect the restraint attachment arms to the anchorages **3** in illustration.
- 6 Follow the child restraint instructions to confirm that both restraint attachment arms are properly attached to the bars.
- 7 Attach the top tether strap to the in-car anchorage and tighten according to the restraint instructions, see page 26 and 27.
- 8 Pull the child restraint to make a second check that the restraint is securely attached at both the lower anchorage bars and the top tether strap.

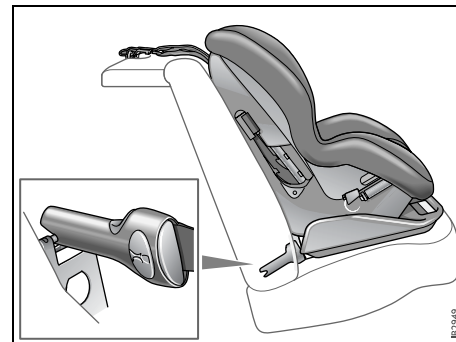
Only use the belt supplied with the child restraint.

For the top tether, only use the strap supplied with the child restraint.

The availability of LATCH child restraints is limited.



*Rigid 2-point lower anchorage with top tether*



*Semi-rigid 2-point lower anchorage with top tether*

**When fitting child restraints in cars you must always read the instructions supplied by the child restraint manufacturer.**

## Child tether anchorages for forward facing child seats

Sport Sedan

Convertible, see page 27



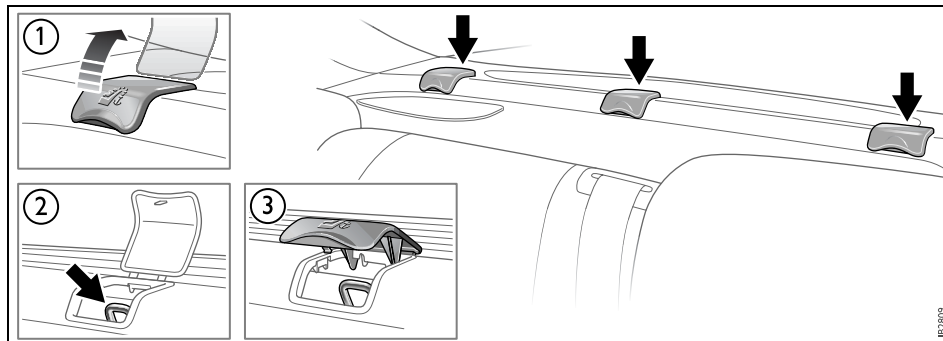
### WARNING

Child top tether anchorages are designed to withstand only those loads imposed by correctly fitted child restraints.

Under no circumstances are they to be used for adult safety belts.

Child restraints with a tether strap must be attached according to Canadian and U.S. safety standards.

If you have any questions regarding child anchorages please contact your Saab dealer.



*Child tether anchorages in parcel shelf, Sport Sedan*

The car is provided with three top tether anchorages. Use the one that is right behind the seating position in which the child restraint is to be installed and attach the restraint as follows:

- 1 Open the cover that is right behind the child restraint, **1** in illustration.
- 2 Place the child restraint in the rear seat.
- 3 Secure the lower part of the child restraint by means of the lower anchorages (ISOFIX) or the safety belts as described in the child restraint installation instruction.
- 4 Lower the headrest and route the tether over it.
- 5 Attach the tether to the anchorage, **2** in illustration.

- 6 Close the cover to the middle position, **3** in illustration.
- 7 Tighten the tether so that the back of the child restraint is pressed hard against the backrest.
- 8 Pull the child restraint to make a second check that the restraint is securely attached at both the lower anchorages below the safety belts and the top tether strap.

## Child tether anchorages for forward facing child seats

Convertible



### **! WARNING**

Child top tether anchorages are designed to withstand only those loads imposed by correctly fitted child restraints.

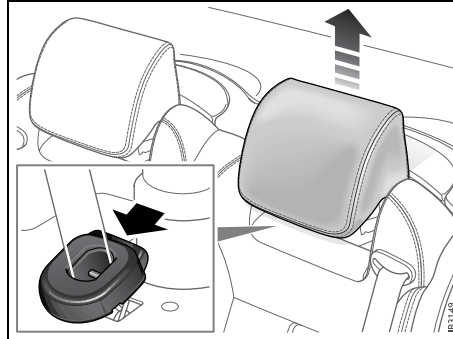
Under no circumstances are they to be used for adult safety belts.

Child restraints with a tether strap must be attached according to Canadian and U.S. safety standards.

If you have any questions regarding child anchorages please contact your Saab dealer.

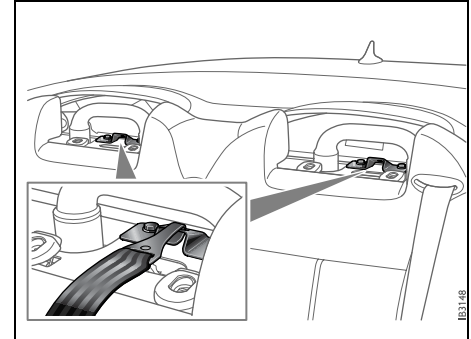
The car is provided with two top tether anchorages. Use the one that is right behind the seating position in which the child restraint is to be installed and attach the restraint as follows:

- 1 Remove the head restraint on the seating position where the child restraint shall be fitted.
- 2 Place the child restraint in the rear seat.
- 3 Secure the lower part of the child restraint by means of the lower anchor-



#### *How to take away the head restraint*

- 1 Raise the head restraint
- 2 Push the catch forward and pull the head restraint straight upward



#### *Top tether anchorages in the rear seat*

ages (ISOFIX) or the safety belts as described in the child restraint installation instruction.

- 4 Attach the tether to the anchorage.
- 5 Tighten the tether so that the back of the child restraint is pressed hard against the backrest.
- 6 Pull the child restraint to make a second check that the restraint is securely attached at both the lower anchorages bars on the safety belts and the top tether strap.
- 7 Put the head restraint back on and make sure it is secure mounted. Adjust it in its highest position.

### **! WARNING**

If the size of the child restraint makes it impossible to put the head restraint back on, place it in the trunk.

## Installation of child restraint using the standard safety belt

 **WARNING**

Failure to follow all the manufacturer's instructions on the use of child restraint systems can cause your child to strike the vehicle's interior during a sudden stop or crash.

Child restraints that are approved for rearward facing installation in the rear seat can be positioned in any of the three rear places. Make sure that it is possible to fit it in accordance with the manufacturer's instructions.

**When fitting child restraints in cars you must always read the instructions supplied by the child restraint manufacturer.**

If fitting a child restraint that is intended to be secured in position by the standard safety belt, make use of the locking function of the belt.

Locking the belt lessens the risk that the seat will work loose while the car is in motion.

- 1 Position the child restraint in the back seat.
- 2 Route the belt in the restraint according to the installation instruction of the restraint.
- 3 Pull out the belt completely until it stops. Then let the belt slowly pull in the slack. Clicking sound indicates that the lock function is in work.
- 4 Pull the shoulder belt tight to secure the child restraint in position.
- 5 Check for correct locking function by pulling on the belt. The belt must not unreel.

The safety belt locking function will be deactivated when the safety belt is retracted.

- 1 Disengage the safety belt latch from the buckle.
- 2 Disengage the safety belt from the child restraint, according to the instructions from the child restraint manufacturer.
- 3 Let the safety belt retract until the clicking sound ceases.

## Airbag



### WARNING

To reduce risk of death or serious injury:

- **Always** wear your safety belt.
- **Always** adjust your seat so that you are as far back as possible but still able to operate the pedals and reach the steering wheel and controls comfortably.
- Passengers 12 and under or shorter than 55 inches (140 cm) must **always** travel in the rear seat as the car is fitted with a passenger airbag.
- **Never** fit a child seat in front of the passenger airbag.

## Airbag system components

- Airbag in steering wheel
- Airbag in instrument panel in front of passenger seat
- Side airbags in front seat backrests  
**Convertible:** The side airbags help protect the head also
- Inflatable curtains along length of headlining (from front to rear roof pillars) (Sport Sedan only)
- Safety belt pretensioners for front seats (all) and outer rear seats (Convertible only).

The airbag system supplements the protection provided by the safety belts to further enhance the safety of occupants taller than 55 in. (140 cm).

When the system is activated at the moment of impact, the airbag inflates and then deflates through holes in the back. The whole operation takes roughly 0.1 second, quicker than the blink of an eye.

The steering wheel and passenger airbags are so-called smart airbags. The driver and passenger airbag system compensates for safety belt usage and the force of the crash at the moment of impact.

There are two impact sensors on the front bumper, under the lacquered shell. Very soon after the moment of impact, these register that the car is involved in a crash. Using this information and data from the central sensor in the control module, the control module determines whether or not to inflate the airbags. The control module also controls whether other components of the airbag system are to be deployed: safety belt pretensioners, inflatable curtains (Sport Sedan) and roll over bars (Convertible).

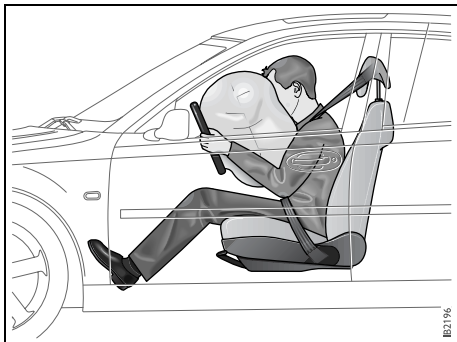
Which airbag system components are deployed depends on a number of factors, such as the force of the crash and the angle of impact.

If the airbag system registers forces equivalent to a high-speed crash (airbags inflated to Stage II), the inflatable curtains will also be activated (Sport Sedan) see page 35.

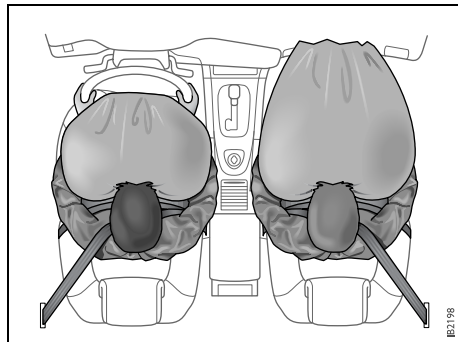
If a fault arises in the airbag system during a journey, the airbag warning lamp on the main instrument panel will come on and the Saab Information Display (SID) will display:



Airbag malfunction.  
Contact Saab dealer.



*Inflated airbag (driver's side).  
Inflation and deflation of airbag takes  
approx. 0.1 s*



*Both front airbags inflated*

The driver and passenger front airbags are triggered by violent front-end crashes. They are not activated by minor front-end impacts, if the car overturns or by rear- and side-impacts.

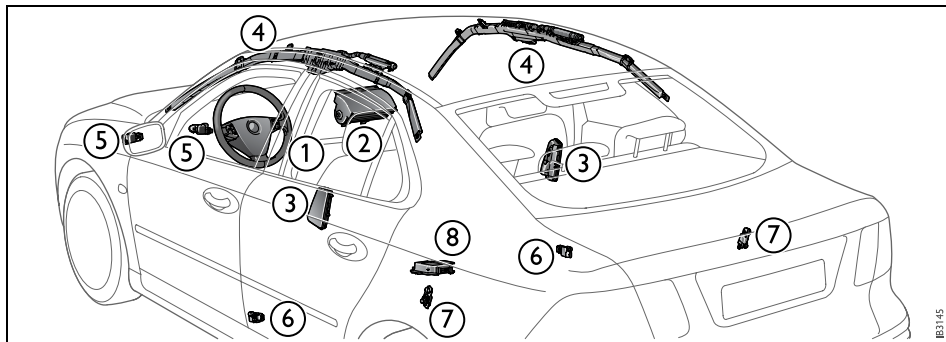
The car is equipped as standard with a passenger airbag.

**Note:**

Impact sensors react differently depending on whether or not the front safety belts on the driver's and passenger sides are used. Situations can therefore arise where only one of the airbags inflates. It is also possible for only the safety belt pretensioners to be activated and for the airbags to remain uninflated.

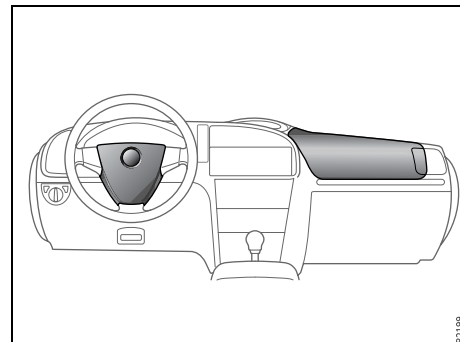
If only Stage I is activated at the moment of impact, Stage II will automatically be activated later to neutralize the gas generator in the airbag.





**Airbag system**

- 1 Steering wheel with integral airbag
- 2 Passenger airbag
- 3 Side airbag
- 4 Inflatable curtain (Sport Sedan only)
- 5 Sensors in front bumper
- 6 Sensor, side-impact protection
- 7 Sensor, side-impact protection (Sport Sedan only)
- 8 Electronic control module and central sensor (SDM)




*Accessories and other equipment must not be fitted to the surfaces marked as these are where the airbags inflate in the event of a crash.*

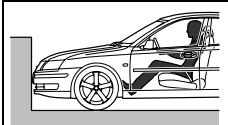
 **WARNING**

- Even if the car is equipped with AIRBAGS, safety belts must still **always** be worn by **all** occupants.
- Note that because an airbag inflates and deflates extremely rapidly, it will not provide protection against a second impact occurring in the same incident. **Always** use your safety belt.
- Always sit with the whole of your back in contact with the backrest of the seat, and with your seat as far back as is practical. Otherwise you will be thrown back against the backrest when the airbag inflates which could cause you injury or death. The airbag needs room in which to inflate.

- Never attach anything to the steering wheel or passenger side of the instrument panel, as this could result in injury if the airbag should inflate. The same applies to anything you might have in your mouth, such as a pipe, for instance.
- Some components of the airbag will be warm for a short time. In some circumstances the airbag can cause minor burns or abrasions to the body when the airbag inflates/deflates.
- Never rest your hands or forearms on the steering-wheel center padding.

- If the airbag warning light  remains on after the car has been started or comes on while you are driving, have the car checked immediately by an authorized Saab dealer. The warning light could signify that the airbags may not inflate in a crash, or they could even inflate without a crash. See page 81.
- Fumes are generated by the chemical reaction that inflates the airbag. Skin surfaces that show signs of irritation should be washed with clean water and a mild soap as soon as possible. In the event of eye irritation, flush the eyes thoroughly with clean water for at least 20 minutes. In case of persistent irritation, consult a doctor.

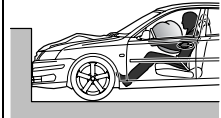
*Operation of the steering wheel airbag in a front-end crash*



*Moment of impact.*



*Sensors detect a deceleration and send a signal via the control module to a gas generator that inflates the airbag.*



*The inflating airbag cushions the driver.*



*Airbag now fully inflated.*



*The airbag starts to deflate.*


**Front passenger seat**



**! WARNING**

**Never** secure a rear-facing child seat in the right front seat of a car equipped with a passenger airbag. Inflation of the airbag in the event of a crash could seriously injure or kill a child.

The system is the same as that used on the driver's side.

The airbag systems are interconnected and have a common warning light . The passenger airbag module is housed in the fascia above the glove box and is marked "AIRBAG".

Both airbags will be inflated in the event of a moderate to severe frontal, or near-frontal crash, even if the passenger seat is unoccupied.

The car is equipped as standard with a passenger airbag.

**! WARNING**



- DEATH or SERIOUS INJURY can occur
- Children 12 and under or shorter than 55 inches (140 cm) can be killed by the airbag

- The BACK SEAT is the SAFEST place for children
- NEVER put a rear-facing child seat in the front
- Sit as far back as possible from the airbag
- ALWAYS use SAFETY BELTS and CHILD RESTRAINTS
- **Never** allow a child to stand in front of the seat or to sit on the lap of a front seat passenger. Serious injury or death could result if the airbag is inflated in a crash.
- The glove box must be closed while travelling. An open glove box door could cause leg injuries in the event of a crash.

- Never place anything on the dash or in front of the seat as, in addition to being a hazard to passengers, this could interfere with the function of the airbag in the event of a crash. The same applies to the mounting of accessories on the dash.
- Keep feet on the floor – never put feet up on the dash, on the seat or out of the window.
- Do not carry anything in your lap.

### Head protection

The pillar trim and headlining (not Convertible soft top) are designed to absorb energy, softening possible blows to the head. After a crash, these items must be changed in the seat positions that were occupied. Never fit accessories to the pillar trim or headlining as these could reduce the effectiveness of the head protection and inflatable curtain (Sport Sedan).

### Side-impact protection



#### ! WARNING

- This car is equipped with side airbags and no extra seat cover should be fitted. Failure to observe this warning could result in the side airbags not inflating as intended and thus not providing the intended protection either.
- Never place any object in the area that would be occupied by the inflated airbag.
- For optimum protection, sit upright in the seat, with your safety belt correctly fastened.
- The side-impact protection will only be activated in the event of a side-on crash and not in the event of a rear-end crash or the car rolling over. For the Convertible's Roll-over protection see page 70.
- Damage or wear to the seat cover, or the seat seam, in the area of the side airbag must be repaired immediately by an authorized Saab dealer.

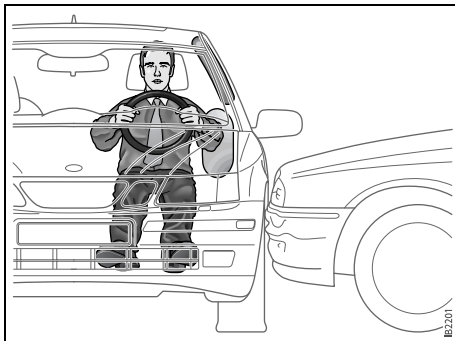
The side airbags, which help protect the upper body (head also in Convertible), are integrated in the outside edges of the front seat backrests. The side impact protection of the Sport Sedan also includes inflatable curtains (see page 35).

The side impact protection will be activated if certain predetermined conditions are met such as the force and angle of the impact, the speed of the car on impact, and at which point on the car's side the impact occurs.

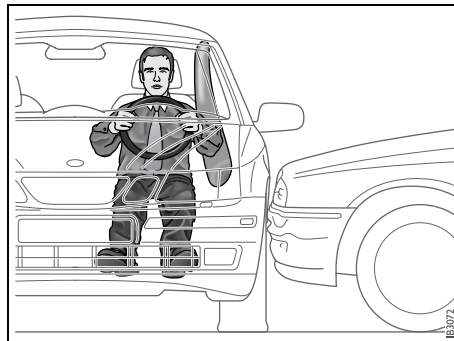
The side-impact protection is only activated on the side of impact, while the safety belt pretensioners on both sides are deployed. The front seats and outer rear seats have safety belt pretensioners.

There are two sensors on each side of the car, one at the rear of each door sill and one in the lower part of each C-pillar.

**Convertible:** The Convertible has two side impact protection sensors, one on each side of the car. These are located at the rear of the sills.



*Inflated side airbag and inflatable curtain,  
Sport Sedan*



*Inflated side airbag with head protection,  
Convertible*

## Inflatable curtains, Sport Sedan

### WARNING

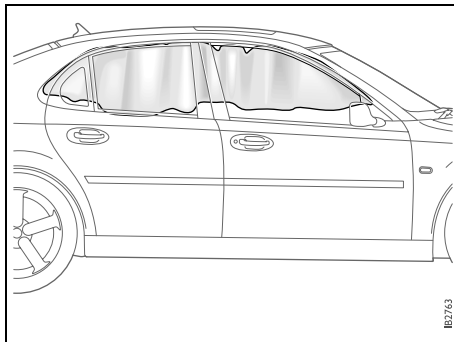
- Do not sit with your head resting against the side window. The inflatable curtain is designed to inflate between the window and the head. Resting the head against the window could prevent the inflatable curtain from providing the intended protection.
- Hang only light clothes from the hooks on the rear seat courtesy handles. The items of clothing must not contain heavy or sharp objects. Do not use wire coat hangers.
- Do not position a sun visor or similar item in the area that would be filled by the inflatable curtain.
- To reduce the risk of head injuries in the event of a crash, the roof pillars and headlining incorporate cushioning material. Do not attach anything to the car's headlining, roof pillars or side panels as this could prevent the side-impact protection from providing the intended protection.
- Do not stack loads so high that they could encumber the inflatable curtain in the event of a crash.

The inflatable curtains, which protect the head, are concealed along the lengths of the headlining (all the way from front to rear roof pillars).

The inflatable curtains inflate at the same time as the side airbags in the front seats in case of a side-on impact.

The inflatable curtains reduce the risk of head injuries to the occupants of the car's outer seats. The inflatable curtains deploys into the window area between the front and rear roof pillars.

If the airbag system registers forces equivalent to a high-speed frontal crash (Stage II for the steering wheel and passenger airbags), the inflatable curtains will also be deployed.



*Inflated inflatable curtain, sport Sedan*



*Prohibited seating position*

For optimal protection, do not sit too close to the door. Bear this in mind, for example, if someone is sleeping in the car. The inflatable curtain comes down from the headlining and covers a large portion of the side windows.

## Airbag warning lamp

### WARNING

- If the airbag readiness light stays on after you start your vehicle, it means the airbag system may not be working properly. See page 81.
- The airbags in your vehicle may not inflate in a crash, or they could even inflate without a crash.
- To help avoid injury to yourself or others, have your vehicle serviced right away if the airbag readiness light stays on after you start your vehicle.

## What Will You See After an Airbag Inflates?

After an airbag inflates, it quickly deflates, so quickly that some people may not even realize the airbag inflated. Some components of the airbag module - the steering wheel hub for the driver's frontal airbag, the instrument panel for the right front passenger's frontal airbag or the ceiling of your vehicle near the side windows - will be hot for a short time. The parts of the bag that come into contact with you may be warm, but not too hot to touch. There will be some smoke and dust coming from the vents in the deflated airbags. Airbag inflation does not prevent the driver from seeing or being able to steer the vehicle, nor does it stop people from leaving the vehicle.

### WARNING

When an airbag inflates, there is dust in the air. This dust could cause breathing problems for people with a history of asthma or other breathing trouble. To avoid this, everyone in the vehicle should get out as soon as it is safe to do so. If you have breathing problems but can not get out of the vehicle after an airbag inflates, then get fresh air by opening a window or a door. If you experience breathing problems following an airbag deployment, you should seek medical attention.

In many crashes severe enough to inflate an airbag, windshields are broken by vehicle deformation. Additional windshield breakage may also occur from the right front passenger airbag.

- Airbags are designed to inflate only once. After an airbag inflates, you will need some new parts for your airbag system. If you do not get them, the airbag system will not be there to help protect you in another crash. A new system will include airbag modules and possibly other parts. The service manual for your vehicle covers the need to replace other parts.
- Your vehicle is equipped with a crash sensing and diagnostic module which records information after a crash. See Vehicle Data Collection and Event Data Recorders on page 266.

- Let only qualified technicians work on your airbag system. Improper service can mean that your airbag system will not work properly. See your dealer for service.

**Notice:** If you damage the covering for the driver's or the right front passenger's airbag, or the side impact airbag covering on the ceiling near the side windows, the bag may not work properly. You may have to replace the airbag module in the steering wheel, both the airbag module and the instrument panel for the right front passenger's airbag, or side impact airbag module and ceiling covering for the roof-mounted side impact airbag. Do not open or break the airbag coverings.

### Servicing the airbag system

The airbag system must be inspected as part of the normal service program but otherwise may be regarded as maintenance-free.

### Scrapping or working on airbag and belt pretensioners



- Under no circumstances should any modifications be made that affect the steering wheel or the airbag's electrical circuitry.
- During any welding, **both** battery cables must be disconnected and covered.
- Before quick drying paint in the vicinity of the electronic control module, the module's grounding points and wiring must be covered.
- Airbags and safety belt pretensioners must be deployed under controlled conditions before the car is scrapped or any of the system's components are removed. Airbags or belt pretensioners that have been deployed as a result of a crash must be replaced by new ones.
- Airbag-system components must never be transferred for use in another vehicle.
- All work involving the scrapping or replacement of airbags or belt pretensioners must be carried out by authorized personnel only.



## Frequently asked questions on function of the airbag

*Do you still need to wear a safety belt if airbags are fitted?*

**Yes, always!** The airbag system components merely supplement the car's normal safety system. Moreover, the front airbags will only be actuated in a moderate to severe frontal, or near-frontal crash, which means, of course, that they provide no protection in minor frontal crashes, major rear- or side-crashes or if the car rolls over.

The safety belts help to reduce the sideways movement of the body in a crash.

But they also ensure that, if a crash occurs in which the airbags are inflated, the airbag will make the optimum contact with the occupant, i.e. square on from the front. If the occupant meets the airbag in an offset position, the protection afforded will be reduced.

In addition, airbags provide no protection against a secondary impact occurring in the same incident. So there is no doubt about the benefit of wearing safety belts at all times.

Do not sit too close to the airbag: it needs room to inflate.

The airbag inflates very quickly and powerfully in order to protect an adult, before they are thrown forward, in a serious frontal crash.

*How do I position the seat to leave room for the airbag to inflate?*

Don't have your seat too far forward.

Recline the seat back to increase the distance between you and the airbag. For short drivers, special accessory pedal extensions are available through your Saab dealer.

Airbags inflate extremely rapidly and with great force – to be fast enough to protect an adult in the seat.

*When do the airbags in the steering wheel and passenger side of the dash board inflate?*

The airbag will only be inflated under certain predetermined conditions in a moderate to severe frontal, or near-frontal crash, depending on such factors as the force and angle of the impact, the speed of the car on impact, and the resistance to deformation of the impacting object.

The airbag can only be activated once in the same incident.

**Do not** attempt to drive the car after an airbag has been inflated, even if it is possible.

*What won't trigger the airbag?*

The airbag will not be activated in all frontal crashes. For instance, if the car has hit something relatively soft and yielding (e.g. a snow drift or a hedge) or a solid object at a low impact speed, the airbag will not necessarily be triggered.

*How loud is the inflation?*

The noise of the inflation is certainly loud, but it is of a very short duration and will not damage your hearing. For a short time afterwards you could experience a buzzing noise in your ears.

Most people who have experienced it cannot remember the noise of the inflation at all – all they remember is the noise of the crash.

*Can you still use a child seat in the front if a passenger airbag is installed?*

**Definitely not!**

Children 12 and under or shorter than 55 inches (140 cm) can be killed by the airbag.

The back seat is the safest place for children.

Never put a rear-facing child seat in the front.

Sit as far back as possible from the airbag.

Always use seat belts and child restraints.

*What should I do if the AIR-BAG warning light comes on?*

If the warning light is on, it means that a fault has been detected in the system. The airbag cannot be relied on to operate as intended and it might even be activated erroneously. You should therefore take the car to an authorized Saab dealer as soon as possible.

*Are the dust and fumes given off when the airbag operates at all harmful?*

Most people who have remained in a car with little or no ventilation for several minutes complained only of minor irritation of the throat and eyes. Avoid as much as possible getting dust on your skin as there is a risk of skin irritation.

If you suffer from asthma, the incident may bring on an attack, in which case you should follow the normal procedure advised by your doctor. It is advisable to consult a doctor afterwards.

# Security



Doors _____	42
Central locking _____	42
Car alarm _____	50

## Doors

Open the door by lifting the door handle.

The following message appears on the Saab Information Display (SID) if a door is not closed (text displayed first when vehicle speed exceeds 15 mph (25 km/h) and the door has still not been closed):



Close doors.

## Central locking



### WARNING

Leaving children or pets unattended in a locked car is dangerous. It is also dangerous to leave children in a vehicle with the ignition key. A child or others could be badly injured or even killed.

### Remote control

The remote control and ignition key are integrated in one unit, and referred to in this manual as the remote control.

The remote control contains a mechanical key, referred to in this manual as the traditional key. This traditional key can be used in an emergency to lock or unlock the driver's door from outside (see page 44). This key does not fit the ignition switch.

A key code number is supplied with your car. This number needs to be quoted when ordering a new traditional key (contained in the remote control). Therefore, keep this number in a safe place.

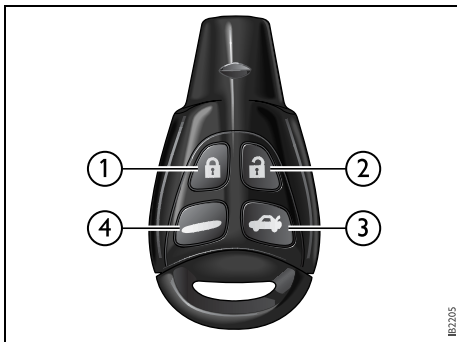
The remote control contains an electronic code that is unique to your car. When the remote control is inserted into the ignition switch, this code is checked. If the code is incorrect, the car will not start.

The car is supplied with two remote controls. It is possible to have up to five remote controls programmed for the car at any one time. If one is lost, a replacement should be obtained as soon as possible. Contact your Saab dealer. When a new key is programmed into the car, the lost key will be deprogrammed automatically.

#### Note:

If a new remote control has to be ordered and programmed, at least one old one is required for the locking system's electronic unit to recognize the new (ordered) remote control.

Once the new remote control has been programmed, the old unit that is lost will not work. Therefore you should carry two remote controls separately, especially on long journeys.



*Remote control*

- 1 Locks car
- 2 Unlocks car and turns on cabin lighting
- 3 Unlocks and opens trunk lid.
- 4 Turns on exterior and cabin lighting.  
Activates panic function

**NOTICE**

The remote control contains delicate electronics.

- Do not expose it to water.
- Avoid rough handling.
- Do not place the remote control where it may be subjected to high temperatures, e.g. on the instrument panel.
- Warm the remote control in your hands for a couple of minutes if it has become very cold to prevent malfunction.
- For details on changing the battery, refer to page 48.

**Remote control functions**

Button	Pressed once	Pressed twice	Hold and press the button more than 2 s
	Locks all doors and trunk lid. Convertible: also fuel filler door.		
	Unlocks driver's door. Convertible: also fuel filler door.	The other doors are unlocked and the trunk lid switch is enabled.	Comfort opening, see page 123.
	Unlocks and slightly opens trunk lid. Checks number of remote controls, see page 47.		
	Turns on exterior and cabin lighting *) (for 30 s) or turns off lighting and deactivates panic alarm.		Panic alarm (activates alarm manually), see page 52.

\*) parking lights, side direction indicators, taillights and license plate lighting.

## Locking/unlocking the car


### WARNING

Leaving children or pets unattended in a locked car is dangerous. It is also dangerous to leave children in a vehicle with the ignition key. A child or others could be badly injured or even killed.

**Never** lock anyone in the car.


Remote locking and unlocking also control the car alarm.

### Remote locking

Press the  button once: all doors and the trunk lid locked (Convertible: also fuel filler door).

The hazard warning lights will flash once to confirm.

### Remote unlocking

Pressing the  button once: the driver's door is unlocked (Convertible: also fuel filler door). Press a second time to unlock the rest of the doors and enable the trunk lid switch.

The hazard warning lights will flash twice to confirm.

If a fault arises in the locking system, the Saab Information Display (SID) will display:

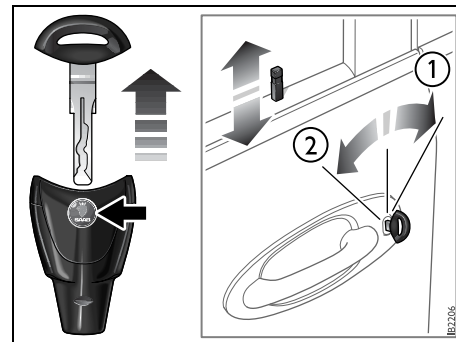


Lock system failure.  
Contact Saab dealer.

Saab Information Display (SID), see page 87.

### Intermittent malfunctioning

Equipment in the vicinity of the car that uses the same frequency as the remote control may cause interference to the remote control signal. In this case, retry from another angle and aim at the receiver located by the steering wheel.



*Locking/unlocking the front left-hand door with the traditional key*

- 1 Lock
- 2 Unlock

### If remote unlocking should fail to work

- 1 Remove the traditional key from the remote control by pressing the emblem on the reverse of the remote control. (This key only fits the front left-hand door.)
- 2 Carefully remove the cover plate from the keyhole in the door.
- 3 Unlock the door with the key.

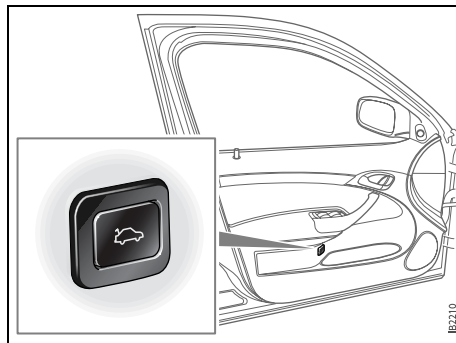
The car alarm will be tripped. To silence the alarm, insert the remote control into the ignition switch.

## Locking a car with dead battery

The steering wheel lock requires sufficient battery voltage to lock and unlock. If the battery voltage drops below a certain level while the remote control is in the ignition switch, you will not be able to remove the remote control.

If you must leave the car, proceed as follows:


- 1 Lock the car by pressing down the lock buttons on the doors.
- 2 Lock the front left door from outside with the traditional key (see page 44). The car is now locked but the car alarm will remain inactive.



*Opening button on driver's door*

## Trunk lid

### Opening

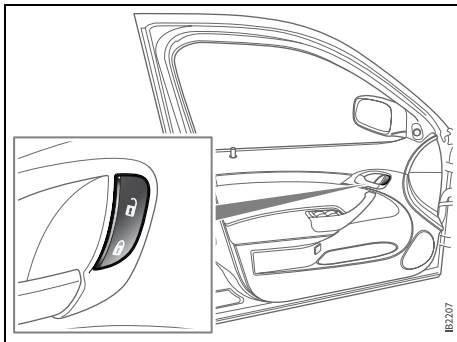
The trunk lid is unlocked and slightly opened when the  button on the remote control or on the inside of the driver's door is pressed once.

The hazard warning lights will flash three times to confirm.

### Closing

The trunk lid is locked when closed.

If the doors are locked when the trunk lid is closed it is armed and the movement sensor in the cabin will be armed.



Central locking switch

### Switches on front doors

The central locking can also be operated from inside the car using the button by each front door handle.

- Locking the car with the remote control renders these buttons inoperative.
- If you are sitting in the car and press the button on the driver's door, this will unlock the driver's door. Press the button a second time to unlock the remaining doors and the trunk lid. The button on the passenger door works in the same way except that this first unlocks the passenger door. During this operation the rear doors remain locked.

If the car is left with one or more doors open, the interior lighting will be switched off automatically after 20 minutes. This is to prevent

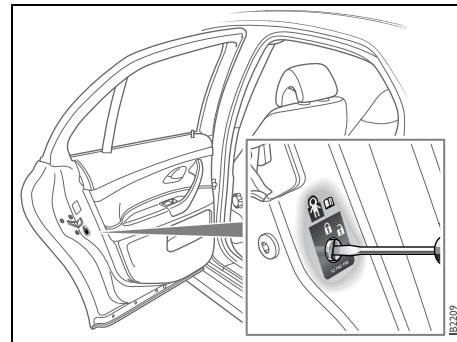
the battery from running flat. Also, if the car has electrically adjustable seats, these will cease to operate.

### Child safety locks

The rear doors are equipped with child safety locks that are activated by means of a catch next to the door latch.

Insert a screwdriver or the traditional key (enclosed in the remote control) and turn it 45° in the direction shown on the label on the door.

When the child safety lock is in the locked position, the door can only be opened from outside the car.



Child safety locks

### WARNING

If small children are carried in the rear seat, the safety locks on the rear doors should be activated to prevent unintentional opening from the inside.

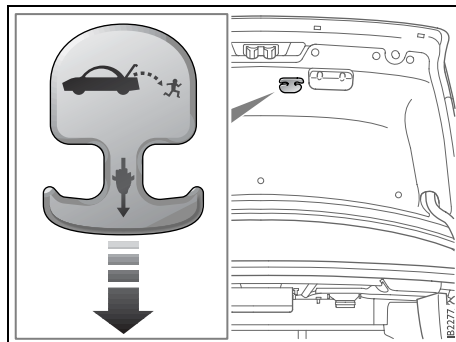


## Trunk Release Handle

There is a glow-in-the-dark trunk release handle located inside the trunk on the latch. This handle will glow following exposure to light. Pull the release handle down to open the trunk from inside.

### NOTICE

The trunk release handle was not designed to be used to tie down the trunk lid or as an anchor point when securing items in the trunk. Improper use of the trunk release could damage it




*Trunk Release Handle*

## Reprogramming lock system functions

Certain lock system functions can be reprogrammed at a Saab dealer (see page 280).

## Checking the number of remote controls

To check the number of remote controls that are programmed for the car:

- 1 Insert the remote control into the ignition switch and turn it to ON.
- 2 Press and hold the  button for more than 2 seconds within 30 seconds after the ignition switch has been turned to the ON position.
- 3 The Saab Information Display (SID) will now display the number of remote controls that are programmed for your car, and which of these (1–5) is in the ignition switch.

Example of SID message:



2: standard key  
Key No: 1

## Changing the key battery


### WARNING

Keep the battery and other small components of the remote control out of reach of children.

### NOTICE

The electronics of the remote control are sensitive to electrostatic discharge. Incorrect handling when changing the battery can damage the remote control. Avoid touching electronic components of the remote control with your hands.

When the voltage of the remote control battery drops below a certain level, the Saab Information Display (SID) will display:

 Remote control battery low. Replace battery.

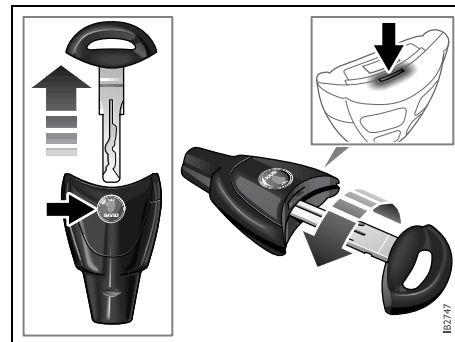
Change the battery as soon as possible to avoid malfunctioning.

**Battery type:** For optimum performance in all temperatures and good service life, Saab recommends the use of a Sony or Panasonic CR2032, 3V lithium battery.

The battery should last for about 4 years of normal use.

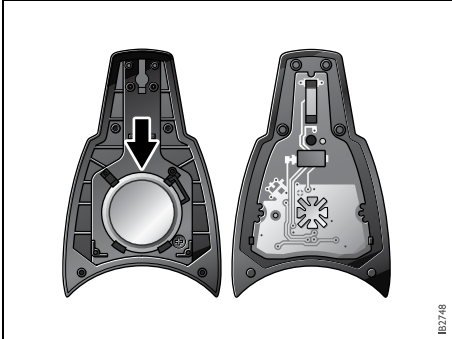
The battery type is marked on the inside of the remote control. Avoid leaving fingerprints on the faces of the battery.

- 1 Press the emblem on the reverse of the remote control to remove the traditional key.



*Press the emblem to remove the traditional key*

- 2 Insert the tip of the key into the small slot and turn the key to split the remote control.



*Change the battery and fit together the two halves of the remote control*

- 3 Change the battery. Fit the new battery so that it is positioned in the same way as the old battery, with the positive (+) side facing down.
- 4 Fit the two halves of the remote control together and press them together until you hear several clicks. Avoid pressing the buttons. Reinsert the traditional key into the remote control.

- 5 After changing the battery in the remote control, it is only possible to use the remote control a limited number of times before synchronization with the car is lost. Therefore, do not press the buttons on the remote control repeatedly directly after changing the battery. Unlock the car and insert the remote control into the ignition switch to synchronize the remote control and car.

If the central locking system does not work after changing the battery and the car is locked, proceed as follows:

- 1 Unlock the front left door with the traditional key. If the car has a car alarm, this will be tripped.
- 2 Open the door and insert the remote control into the ignition switch. If the car has a car alarm, this will be silenced. The remote control and receiver unit are now synchronized.

## Immobilizer

The remote control contains an electronic code that is unique to your car. When the remote control is inserted into the ignition switch, this code is checked and the LED on the dashboard double-flashes for 3 seconds. If the code is correct, the car can be started.

Each time you remove the remote control from the ignition, the electronic starting interlock is activated, the LED double-flashes for 3 seconds and the car becomes immobilized. If an incorrect remote control is now inserted into the ignition switch (e.g. the remote control of another car), the immobilizer will remain operative (the LED will not flash for 3 s) and it will not be possible to start the car.

If the immobilizer system malfunctions, the Saab Information Display (SID) displays:



Immobilizer failure.  
Try starting again.  
Contact Saab dealer.

If, when inserted into the ignition switch, there is a problem checking the electronic code of the remote control, the following message will appear on the SID:



Key not accepted.  
Contact Saab dealer.

Visit a Saab dealer to have the problem checked and rectified.

## Car alarm



### WARNING

Leaving children or pets unattended in a locked car is dangerous. It is also dangerous to leave children in a vehicle with the ignition key. A child or others could be badly injured or even killed.

The car alarm is armed when the car is locked with the remote control.

The car alarm will not be armed if you lock the car with the traditional key (see page 44).



All the doors, the hood and the trunk lid are monitored by the alarm.

The alarm is armed 11 seconds after the car has been locked by remote control.

During the delay period, the LED shines constantly. It will then start to flash once every 3 seconds. The LED is located on the dashboard.

If a door or the trunk lid is open when the car is locked with the remote control, the LED will flash 3 times per second for 11 seconds. Check that the doors, hood and trunk lid are closed.

If the signal persists, contact a Saab dealer to have the problem checked and rectified.

**Locking the trunk lid:** If you unlock the trunk lid from outside the car with the  button on the remote control, you must lock the car with the  button to arm the car alarm.

To avoid any inconvenience, make sure that anyone using the car is familiar with how the car alarm and the locking system work.

If the alarm has been tripped since the car was last locked, the Saab Information Display (SID) will display:



Alarm has been triggered since being armed.

If a fault arises in the car alarm system, the Saab Information Display (SID) will display:



Theft protection failure.  
Contact Saab dealer.

## Arming the car alarm

The alarm is armed when all doors, the hood and the trunk lid are closed and you lock the car with the remote control.

## What trips the alarm?

The alarm will be tripped if:

- a door, the hood or the trunk lid is opened
- somebody tries to hotwire the car

## Signals when the alarm is tripped





If the alarm is triggered, the following alarm signals will be set off:

- all direction indicators flash for 5 minutes.
- the horn sounds for 30-second intervals with 10-second breaks (max. 10 cycles).

**The signals can vary between markets and due to legal and insurance requirements.**

**Switching off the alarm if tripped**

If the alarm has been triggered (direction indicators flashing and horn sounding) it can be turned off by pressing one of the buttons on the remote control or, if you are sitting in the car, by turning the ignition to ON (see below).

	Turns off lights and horn. Unlocks car.
	Turns off lights and horn. Car remains locked.
	Turns off lights and horn. Unlocks trunk.
	Turns off lights and horn. Turns on exterior and cabin lighting. Car remains locked.
If sitting in the car: Turn the remote control to ON in the ignition switch	




**NOTICE**

- It is possible to inadvertently deactivate the car alarm and at the same time unlock the car, if the button on the key is pressed by mistake when the car is still within its range.
- When locking the car by remote control in extremely cold weather, it is advisable to check that the lock system has operated properly. To do so, check that the interior locking buttons are all down.  
If not, unlock and relock the car again.



**Panic function**

The car alarm includes a panic function. This function allows the alarm to be started manually, for example, to attract attention. The panic alarm can only be activated while the car is stationary. The alarm is silenced if the car is driven off.

When the alarm is tripped, the lights and horn come on for 3 minutes or until you press one of the remote control buttons. To start the alarm manually proceed as follows:

- Press and hold the  button on the remote control for more than 2 seconds, or if you are sitting in the car...
- Press and hold the  or  button on one of the front doors for more than 2 seconds.

To switch off the alarm:

- Press one of the remote control buttons or, if you are sitting in the car, the  or  buttons on one of the front doors.

## Overview of functions

Locking/arming	Direction indicators flash once.
Unlocking/ disarming	Direction indicators flash twice.
Unlocking/ disarming trunk lid	Direction indicators flash three times.
Alarm triggered	Direction indicators flash for 5 min. The horn sounds for 30-second intervals with 10-second breaks (max. 10 cycles) or until you press one of the remote control buttons or turn the remote control ON in the ignition switch.
Remote control	Normal range: 5–16 yds. (5–15 metres). In favorable conditions the range can be significantly greater.
Remote control battery	Normal life: approx. 4 years. Change the battery when the SID displays: Remote control battery low. Replace battery. See Changing the key battery, page 48.

Some car alarm functions and indications can be reprogrammed. Contact a Saab dealer for details of the possibilities and refer to page 280.

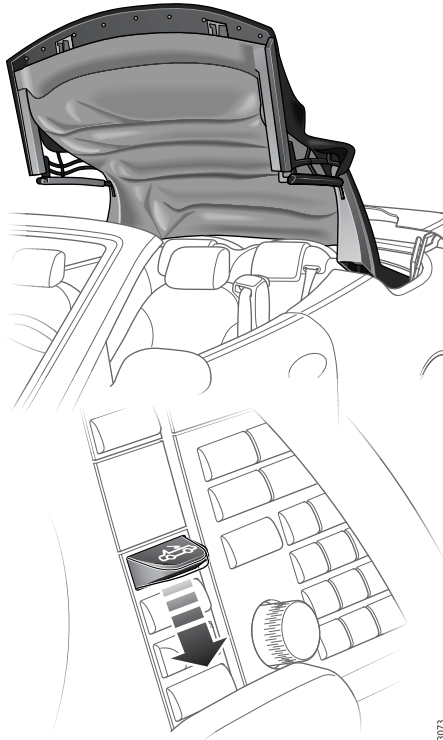
### Quick guide, LED and Saab Information Display (SID) messages

Activity	LED signal
Arming (delay period)	Illuminates for 11 s.
Alarm armed	Flashes once every 3 s.
Disarming	Extinguishes.
Alarm not armed	Off.
A door, the hood or the tailgate is open or opened during the delay period.	Flashes for 11 s then flashes once every 3 s.
Car immobilized but not locked.	Off.
Change of status of immobilizer system, valid remote control inserted or removed from ignition switch.	Double-flashes for 3 s.

SID message	Reason/action
Key not accepted. Contact Saab dealer.	Error when remote control inserted into ignition switch.
Remote control battery low. Replace battery.	Battery needs replacing. See page 48.
2: standard key Key No: 1	Check of the number of remote controls programmed for your car. See page 47.
Alarm has been triggered since being armed.	The alarm has been tripped since the car was last locked.
Immobilizer failure. Try starting again. Contact Saab dealer.	Error when immobilizer code checked.



# 9-3 Convertible



1B3X073

Advice on soft top operation _____	56	Rollover Pop-up Bars _____	70
Operating the soft top _____	57	Electric windows _____	71
Raising the soft top manually _____	62	Interior lighting _____	72
SID warnings and messages _____	65	Unlocking the trunk lid manually _____	73
"Easy entry" _____	67	Manually opening the fuel filler door _____	74
Head restraints _____	68	Placing two golf bags in the trunk _____	74
Safety belts, rear seat, Convertible _____	69		

## Advice on soft top operation

- Once you have raised the soft top and before driving off, always check that the soft top is properly engaged with the windshield rail.
- Once you have folded the soft top and before driving off, check that the soft top cover is locked.
- Do not operate the soft top in temperatures below 23°F (-5°C).
- Note that certain automatic car washes can damage the soft top. This applies to car washes that use mechanical feelers bearing against the body. Saab advises against washing the Convertible in an automatic car wash.
- After rain or washing the car, allow the soft top to dry completely before folding it. Folding a wet or damp soft top can cause water damage in the car and mildew to form on the soft top.
- Roof racks and ski holders must not be mounted on the soft top.
- On no account should anything be put into the stowage space of the soft top (under the soft top cover) since this could cause an obstruction when the soft top is being folded away.
- Do not place any objects on the covers over the roll bars as this can hamper their function.
- When operating the soft top, raise or fold it fully until notified that operation is complete by the SID. Do not leave the soft top partially open/closed. If the soft top is left in an intermediate position it will collapse progressively after 20 seconds to prevent overloading the drive system.
- Washing the soft top, see page 252.



### WARNING

- Never touch the hinges and struts of the soft top nor the upper rail of the windshield while operating the soft top.
- Do not operate the soft top while there are bystanders close to the car.

## Operating the soft top

### WARNING

- Do not touch the hinges or struts of the soft top during opening due to the pinch hazard.
- Keep children out of reach.
- Do not operate the soft top while there are bystanders close to the car.
- Make sure that the soft top cover has locked properly after folding the soft top.
- Check that the soft top engages properly with the upper edge of the windshield after raising.

### NOTICE

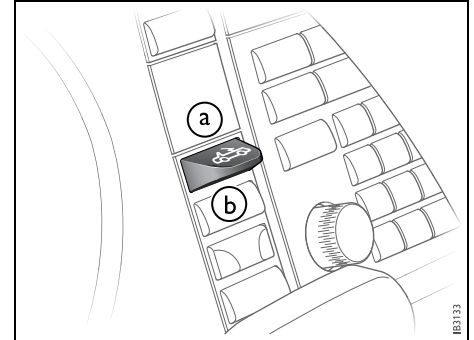
If you drive off while raising or folding the soft top, operation is halted when the speed of the car exceeds 20 mph (30 km/h). This speed can be programmed (0–20 mph/0–30 km/h) at a Saab dealer. The movement of the car and force of the wind can seriously damage the components of the soft top system.

Read the "Advice on soft top operation" section on page 56 before operating the soft top.

The soft top is operated with the switch on the instrument panel. Hold the switch in the desired position until the soft top is fully folded or raised.

The completion of folding or raising the soft top is indicated by a chime.

Error messages that can appear on the SID are shown on page 65.



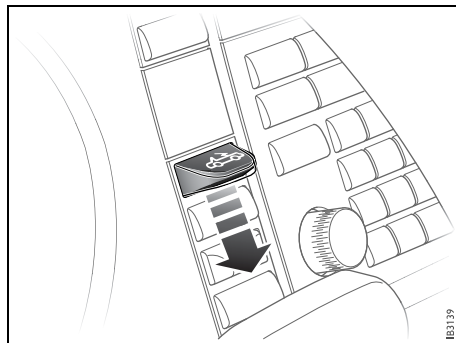
*Switch for operating the soft top*

- a Raising
- b Folding

## Opening

The following conditions must be fulfilled for the soft top to be folded:

- Vehicle speed must not exceed 20 mph (30 km/h).
- Battery voltage must exceed 10 V.
- Outside temperature must exceed 23°F (-5°C).
- The trunk lid must be locked.
- There must be sufficient space in the trunk for the soft top.




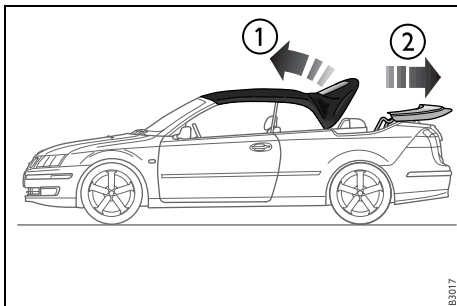
*Folding*

- 1 Start the engine and let it idle. Clearance for soft top operation: height, min. 7.2 ft (2.2 m); behind car, min. 2" (5 cm).
- 2 Press and hold the soft top button until the soft top is fully folded and the soft top cover raised. Completed folding is indicated by a chime. If there is a malfunction a text message will be shown on the SID. Refer to page 65.  
Do not press any of the buttons on the same section of the instrument panel as the soft top switch while folding the soft top. This will cause the soft top to stop and then sink after about 20 seconds.

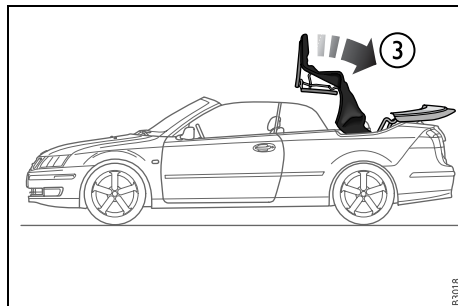
If you continue to hold the button after the chime, all the windows will open after a brief delay.

## Remote opening (option)

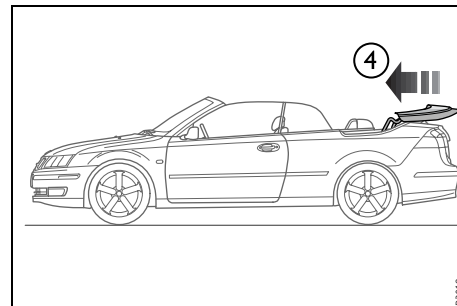
You can fold the soft top when outside the car by pressing and holding the  (unlock) button on the remote control. See also page 123.



- 1 Rear window raised. Soft top storage in luggage compartment lowered.
- 2 The soft top cover is opened.

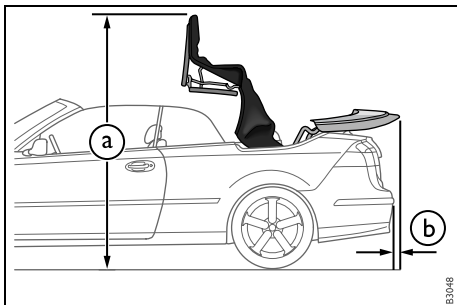


- 3 Soft top folded.



- 4 The soft top cover is closed.

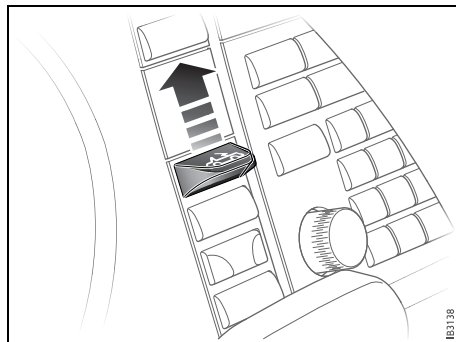
- a 7.2 ft (2.2 m)
- b 2" (5 cm)



## Raising

The following conditions must be fulfilled for raising the soft top:

- Vehicle speed must not exceed 20 mph (30 km/h).
- Battery voltage must exceed 10 V.
- The trunk lid must be locked.



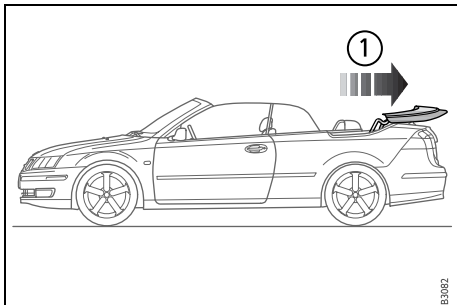
*Raising*

securely to the upper edge of the windshield.

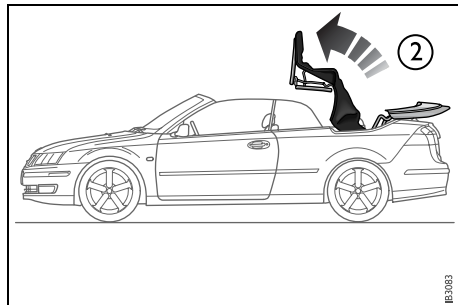
If you hold the button pressed up after the chime, all the windows will be closed after a short delay.

- 1 Start the engine and let it idle. Clearance for soft top operation: height, min. 7.2 ft (2.2 m); behind car, min. 2" (5 cm).
- 2 Press and hold the soft top button until the soft top is fully raised and the soft top cover closed. Completed raising is indicated by a chime. If there is a malfunction a text message will be shown on the SID. Refer to page 65.  
Do not press any of the buttons on the same section of the instrument panel as the soft top switch while raising the soft top. This will cause the soft top to stop and then sink after about 20 seconds.

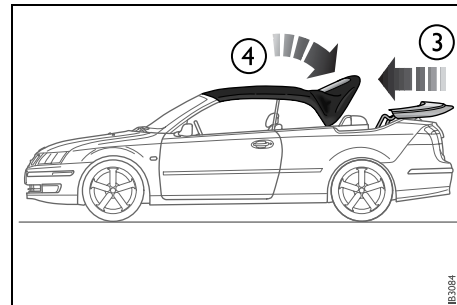
All side windows are opened slightly to protect the seals when the soft top is raised. Check that the hooks in the soft top hold it



1 The soft top cover is opened.



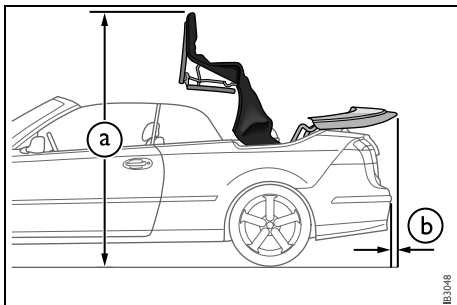
2 The soft top is raised.



3 The soft top cover is closed.

4 The rear window is lowered.

- a 7.2 ft (2.2 m)
- b 2" (5 cm)



## Raising the soft top manually

### WARNING

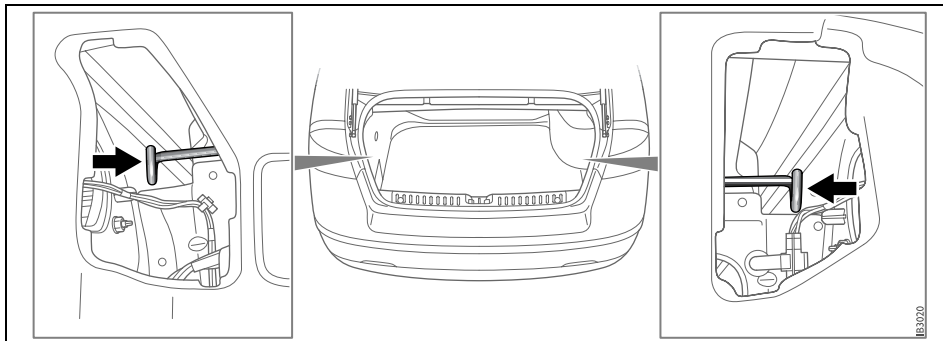
Only raise the soft top manually in an emergency (e.g. due to an electrical fault).

Do not touch the soft top button on the instrument panel while closing the soft top manually. This could cause personal injury and damage the soft top mechanism.

Do not fold the soft top having closed it manually. This can damage the soft top mechanism.

If the soft top has been folded mechanically there will be a delay of 20 seconds before it is possible to raise it manually (the pressure must be released from the hydraulic system).

If the car is without electrical power, the trunk must be unlocked manually. Refer to page 73.



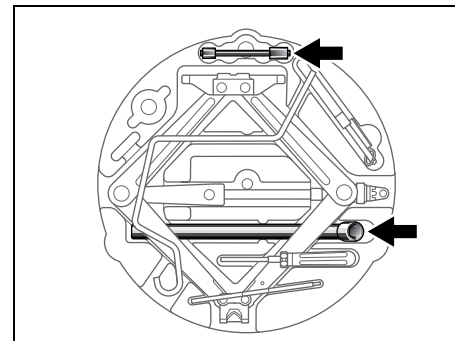
*Wire catch for unlocking soft top cover*

- 1 Find the lug wrench, Allen key and screwdriver located under the luggage compartment floor.
- 2 Remove the two covers from the side trim in the trunk, one from either side.

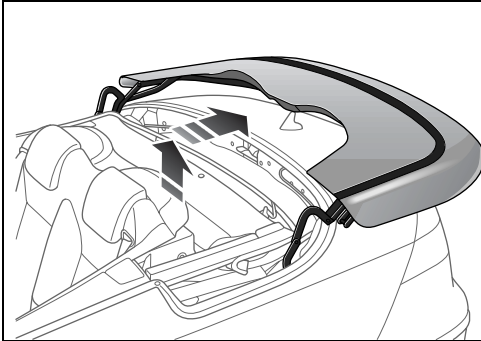
If there are two of you, it is easiest if you stand on either side of the car and perform steps 3-6 and 9-10 together.

- 3 Unlock the soft top cover by pressing forward the two wire catches, one on the left and one on right-hand side.

*Tools under luggage compartment floor*



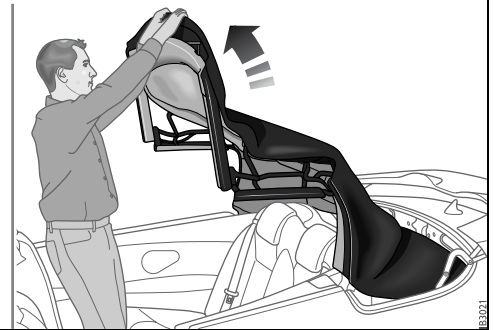




*Soft top cover opened*



*Manual closing started*



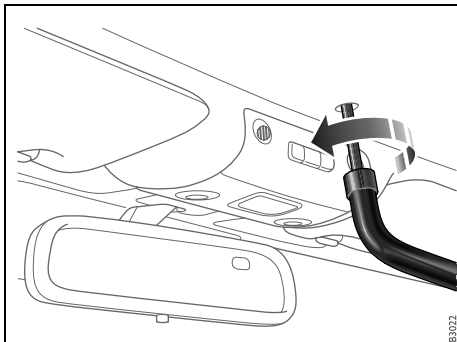
*Soft top pulled towards windshield*

- 4 Close the trunk lid fully as otherwise it will obstruct the soft top cover.
- 5 Open the soft top cover, upward and backward.
- 6 Tip forward the front seat backrests.

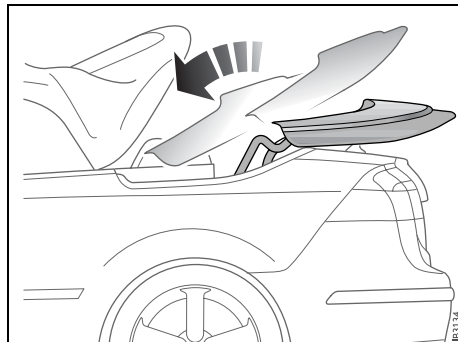
**! WARNING**

- Do not touch the hinges and struts of the soft top during raising.
- Keep your hands clear of the front windshield rail.
- Pinch hazard may cause personal injury.

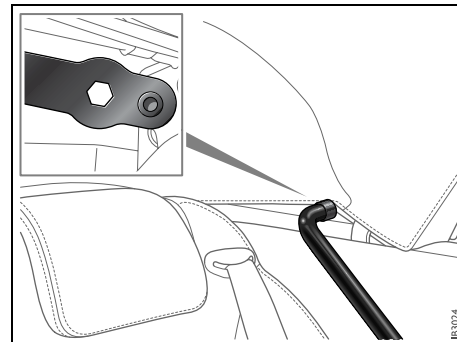
- 7 Before raising the soft top, the two catches in the leading edge of the soft top must be opened. Stand in the rear seat and pry off the cover with the screwdriver. Using the tool, turn clockwise to open the catches. Stand in the rear seat and raise the soft top. Pull it towards the windshield. This operation requires 7.2 ft (2.2 m) of vertical clearance.



*Soft top locked to windshield rail*



*Closing the soft top cover*



*Rear window locked to soft top cover*

8 Sit in one of the front seats and lock the soft top to the windshield rail. Use the lug wrench and the Allen key. Turn roughly 1/4 turn **counterclockwise**. Check that the soft top is properly locked in place by pressing up the front edge. The soft top must not move upward.

9 Lift up the rear window **fully** and hold it there. Close the soft top cover. It is not possible to lock the soft top cover after manual raising.

**NOTICE**

To avoid damaging the paintwork on the soft top cover and the trunk lid, take care when closing the soft top cover.




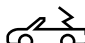
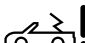
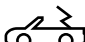
10 Press down the rear edge of the soft top as far as possible towards the soft top cover.

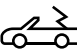


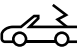



11 Now lock the rear window to the soft top cover. Sit in the rear seat and insert the tool (the same tool as used to lock the soft top to the windshield rail) into the hexagonal hole in the soft top mechanism. Turn roughly 1/4 turn, counterclockwise on the right hand side of the soft top and clockwise on the left-hand side. Look at the soft top cover when locking the rear window. The rear window must make a tight seal against the soft top cover.

The soft top system must be checked and rectified without delay at a Saab dealer.

## SID warnings and messages

The following messages associated with the soft top system and can be displayed on the SID together with a chime:

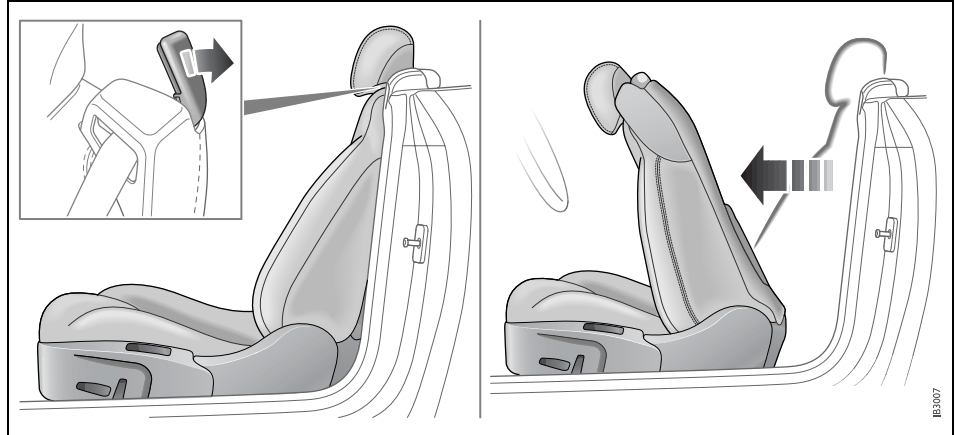
		<b>Cause</b>	<b>Suitable action</b>
	Soft top front not locked. Try again.	Failure of the soft top to lock automatically to the windshield.	<ul style="list-style-type: none"> <li>• Move the car so that it is standing level if on a steep slope.</li> <li>• Press the soft top button to fold the soft top slightly. Fold the soft top again.</li> </ul>
	Soft top power pack overheated. Allow to cool.	This message appears if the soft top is operated continuously for more than 3 minutes.	Wait 6 minutes to allow the hydraulic pump to cool down.
	Open trunk. Move goods away from top storage area.		Move the object hindering soft top operation.
	Soft top may be damaged if operated at low temperature.	Displayed if the soft top is folded at temperatures below 23°F (–5°C).	
	Only manual operation possible. Contact Saab dealer.		
	Soft top cover not locked. Try again.		

	Battery low.	The voltage of the car battery is too low to allow soft top operation.	
	Soft top obstructed. Clear obstacles and try again.		
	Open/close soft top completely to open trunk.		Complete soft top operation.
	Open/close soft top completely before driving		Complete soft top operation.
	Close trunk.		Close the trunk lid.
	Driver seat unlocked.	The backrest is not locked.	Raise the backrest fully to locked position, see page 67.
	Passenger front seat unlocked.	The backrest is not locked.	Raise the backrest fully to locked position, see page 67.

## "Easy entry"

**⚠ WARNING**

- **Always** check that the backrest locks properly when returned to normal position.
- Check that the fore-and-aft position of the seat is properly locked. The backrest and the entire belt-in seat must be locked in position; otherwise the occupant of the seat is at risk of injury during braking or in the event of a crash, especially if a rear-facing child seat is fitted behind the backrest.



"Easy entry" function. Illustration shows an electrically adjustable seat (option)

To facilitate getting in and out of the rear seat, the front seats can be slid forward.

### Manually adjusted passenger seats

- 1 Raise the handle by the head restraint on the seat.
- 2 Tip the backrest and slide the seat forward.

Repositioning:

- 1 Tip back the backrest.
- 2 Slide the seat back to the desired position.

Make sure the backrest and seat are properly **locked** in position.

### Electrically adjustable front seats

- 1 Raise the handle by the head restraint on the seat.
- 2 Tip the backrest forward.
- 3 The seat now moves to its foremost position.

Repositioning:

- 1 Tip the backrest back to its normal position.
- 2 Raise and hold the handle until the seat has returned to its previous position.

## Head restraints

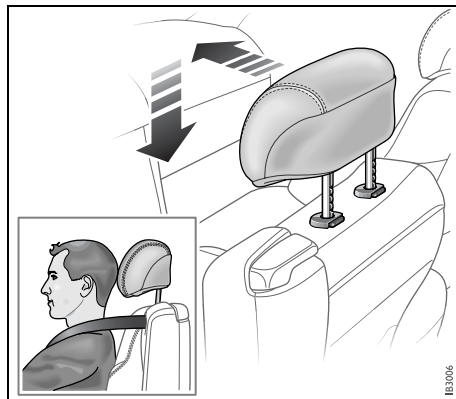
### WARNING

- Adjust the head restraint so that the head is optimally supported and the center of the head restraint is at ear height, thus reducing the likelihood of neck injury in a crash.
- Raise the head restraints in the seats that are occupied.

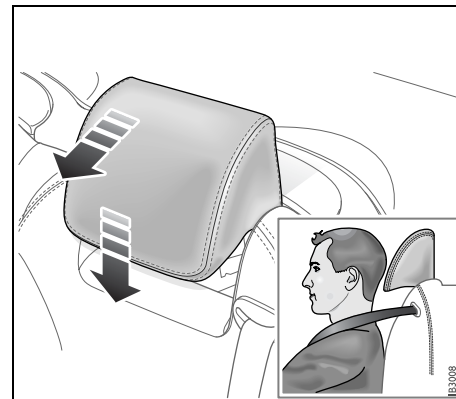
The front seats are equipped with Saab Active Head Restraints (SAHRs). These are designed to reduce the risk of neck injury if the car is hit from behind.

The SAHR is a mechanical system, actuated by body weight. The mechanism is built into the top of the backrest, where it is connected to the head restraint.

In the event of a rear-end crash, the body is forced back against the backrest. This, in turn, causes the mechanism to press the head restraint forward and upward, thus limiting the backward movement of the head.



*Front head restraint*



*Rear head restraint*

The front and rear head restraints can be raised and lowered to a number of positions.

- Raising: grasp the head restraint on both sides and pull it straight up.
- Lowering: Press the head restraint forward and downward.

The rear head restraints can be fully lowered to improve rearward vision when the rear seats are unoccupied.

## Safety belts, rear seat, Convertible

The two rear seats have three-point safety belts with inertia reels.

Fasten the belt by pulling the belt and inserting the tongue in the buckle. Check that it is securely fastened.

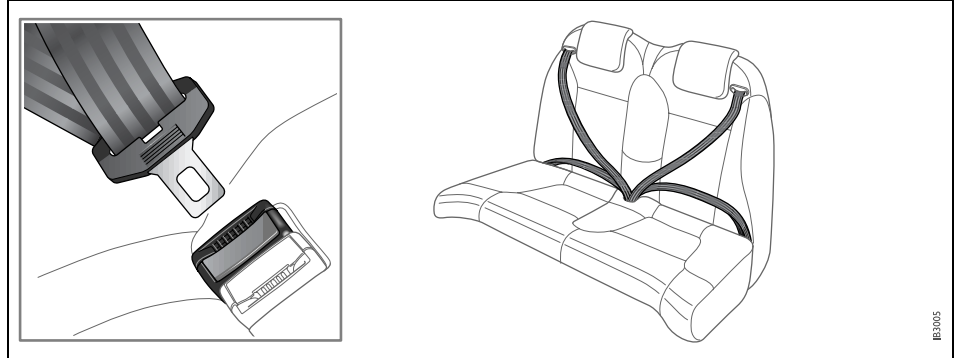
Position the lap part low across the hips.

Grasp the shoulder belt close to the buckle and pull the belt towards the shoulder to tighten the lap belt part.

The belt must be as far in on the shoulder as possible.

Press the red button on the belt buckle to release the belt.

Refer to page 251 for how to check the function of the safety belts, cleaning, etc.



*Safety belts, rear seat, Convertible*

### **WARNING**

- If cargo has to be placed on a seat, it must be properly secured with the safety belt. This reduces the risk of the cargo being thrown about during hard braking or a crash, which could cause personal injury.
- Check that the belt is not twisted or lying against sharp edges.
- Make sure you use the correct seat-belt buckle.

For how to secure loads on the rear seat, refer to page 16.

## Rollover Pop-up Bars

The Rollover Pop Up Bars, which are located behind each rear seat head restraint, along with the windshield frame and the seatbelt pretensions, are designed to deploy in the event of a crash or rollover.

### WARNING

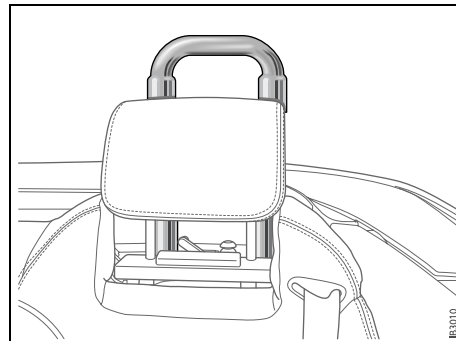
You can be severely injured or killed in a crash if you are not wearing your safety belt - even if you have airbags and Rollover Pop Up Bars. Wearing your safety belt during a crash helps reduce your chance of hitting things inside the vehicle or being ejected from it.

- The Rollover Pop Up Bars have powerful springs that rapidly extend the bars in rollover crashes, as well as in moderate to severe crashes in which the airbags deploy. Rollover Pop Up Bars are supplemental to the safety belts. They are designed to work with safety belts but do not replace them.

- Rollover Pop Up Bars deploy with great force, and you could be injured if your arm or other body part, or if an object is covering the bars when they deploy. Don't put anything on the cover of the Rollover Pop Up Bars. The path of the Rollover Pop Up Bars must be kept clear.
- The Rollover Pop Up Bars are designed to deploy only once. If they deploy, take your vehicle to your Saab dealer immediately to have the Rollover Pop Up Bars repaired so that they operate properly in the event of a crash or rollover.

### NOTICE

To avoid the risk of damage to the soft top **do not** operated the soft top while the bars are extended.



*Rollover Pop-up Bars*

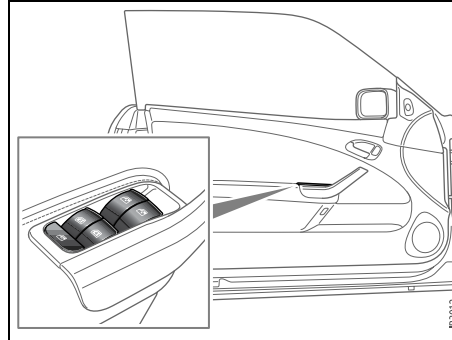


## Electric windows

### WARNING

Bear in mind the pinch hazard when closing the side windows. May cause serious or fatal injuries!

- **Always** remove the remote control from the ignition switch when you leave the car to prevent personal injury caused by the activation of the electric windows, for example, due to children playing.
- The person operating the electric window is responsible for ensuring that no one, especially a child, has their head, hands or fingers in the window openings, before raising the window.
- Do not stick any part of the body or the head out through an open window while the car is moving.



Window switches

### To open

Soft top raised – The windows open individually.

Soft top folded – The button for the front window opens both side windows.

**Automatic opening:** Press the button all the way down and release it. If the soft top is folded, the rear side window is also lowered.

### To close


Soft top raised – The windows are operated individually.

Soft top folded – The button for the front window closes both side windows.

**Automatic closing of a front side window:** Raise the button all the way and release it. The rear side window must be fully closed. Pinch protection (option) is available for the front side windows.

For further information on the electric windows, refer to page 123.

### Deactivating the passenger door window button

With the  button on the driver's door, you can deactivate the window button on the passenger door.

The illuminated switch will change color from green to amber (deactivated).

## Calibrating front electric windows with pinch protection (option)

The window lifts should be calibrated if automatic closing does not work or if the battery has been disconnected. The pinch protection will not work if the windows are not calibrated.

Perform calibration as follows:

- 1 Make sure the soft top is raised.
- 2 Make sure the doors are closed.
- 3 Let the engine idle.
- 4 Press and hold the soft top button up until a chime sounds.

During calibration, the four windows will be raised and lowered several times.

If calibration fails twice in a row, have the car checked and rectified at a Saab dealer.

## Interior lighting

The interior lighting consists of a front roof light, two front reading lights, footwell lighting and courtesy lighting in the doors. The light switches are located in the roof console.

The cabin lighting comes on:

- When a door is opened and the ignition is OFF.
- When the remote control is removed from the ignition switch.

The lighting goes out:

- When the car is locked.
- When the ignition is turned on.
- Approx. 20 s after closing all doors.

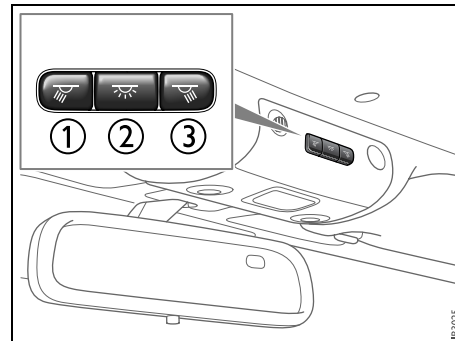
The lights are dimmed out gradually.

If a door is left open with the ignition OFF, the interior lighting goes out automatically after 5 min so as not to drain the battery.

The interior lighting can be switched off completely.

- 1 Open the driver's door.
- 2 Turn off the cabin lighting with the center button, see illustration.

This is canceled when the ignition switch is turned to position ON or when the car is locked with the remote control.



*Front interior lighting - Convertible*

- 1 Left-hand reading light
- 2 Cabin light
- 3 Right-hand reading light

### Glove box

The glove box lighting comes on when the compartment is opened and goes out when it is closed.

For changing bulbs, refer to page 223.

### Sun visor

An illuminated vanity mirror is provided on the inside of the sun visors. The lighting comes on when the cover is raised and goes out when it is closed.

### Trunk lighting

The trunk lighting comes on and goes out when the trunk lid is opened and closed.

If the trunk lid is left open, the lighting will be switched off automatically after 20 min to prevent the battery from running flat.

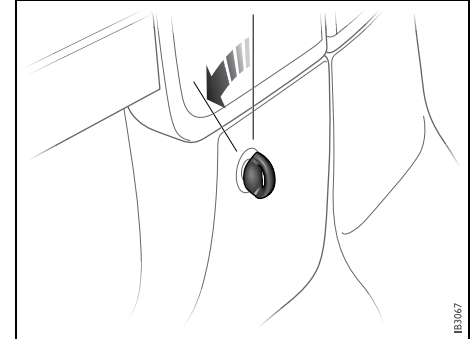
For changing bulbs, refer to page 225.

## Unlocking the trunk lid manually

If the trunk lid is not unlocked by the central locking system, it can be unlocked manually.

- 1 Take the traditional key out of the remote control by pressing the emblem on the reverse (see page 48).
- 2 Carefully prise off the round cover using your nails, a credit card or similar so as not to damage the paintwork.
- 3 Unlock the trunk lid using the traditional key.

Contact a Saab dealer to have the central locking system checked.



*Unlocking the trunk lid manually*

## Manually opening the fuel filler door

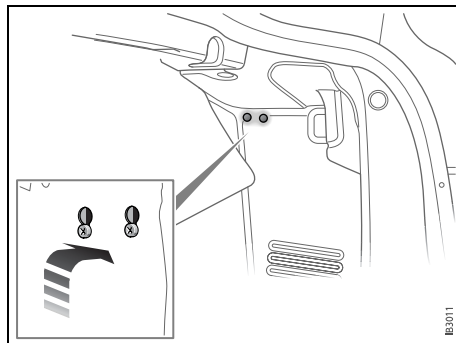
### Convertible

If the fuel filler door, which is controlled by the central locking system, does not unlock, proceed as described below.

Check fuse 7 in the fuse panel at the end of the fascia (see page 229). If this fuse has blown or the new fuse blows, the fuel filler door can be opened as follows:

- 1 Open the two cut-out openings in the side trim on the right-hand side of the luggage compartment.
- 2 Loosen the two screws (do not unscrew them fully). Lift up the screws and press them out of their key hole slots.

Contact a Saab dealer to have the central locking system checked.

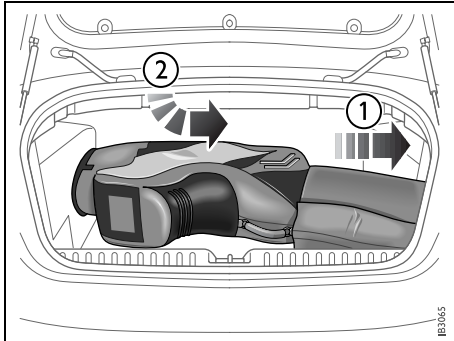


*Manually opening the fuel filler door, Convertible*

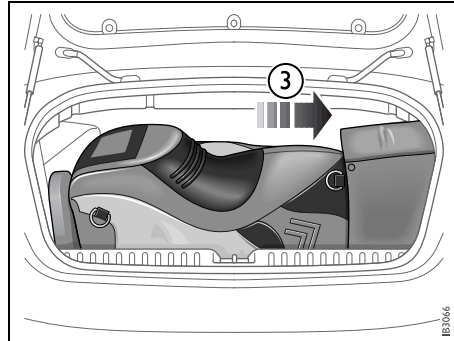
## Placing two golf bags in the trunk

There is sufficient space in the trunk of the Convertible for two golf bags. Proceed as follows.

- 1 Start by inserting the narrow end of the first bag to the right.
- 2 Lie down the bag. Turn the bag so that it lies on its widest side and slide it forward, in under the soft top storage (see illustration).
- 3 Put in the second bag in the same way as the first, but lie it on its narrow side (see illustration).



Position of first golf bag



Position of second golf bag

### Spoiler on trunklid

 <b>WARNING</b>
<p>Some models have a spoiler on the trunklid. Avoid getting fingers and hands trapped between the spoiler and rear fender when closing the trunklid.</p>

### Wind deflector

A wind deflector is available as an accessory. Follow the fitting instructions supplied with the wind deflector carefully.

### CargoWing (accessory)

<p><b>NOTICE</b></p> <p>If play arises in any part of the CargoWing, contact a Saab workshop immediately to have this corrected. If such play is not eliminated, the CargoWing may come loose while driving.</p>
--

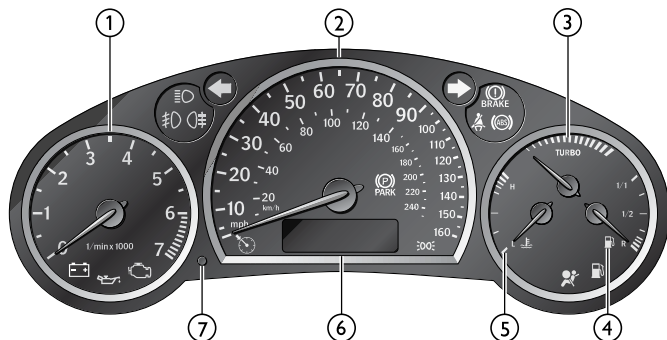
(This page has been left blank)

# Instruments and controls



Warning and indicator lights _____	78
Instruments _____	82
Information display, main instrument panel _____	85
Saab Information Display (SID) _____	87
Switches _____	96
Wipers and washers _____	100
Manual climate-control system _____	103
Automatic climate-control system (ACC) _____	108

## Main instrument panel (Arc panel shown)



*U.S. shown, Canada similar*

## Main instrument panel

- |               |                            |
|---------------|----------------------------|
| 1 Tachometer  | 5 Engine temperature gauge |
| 2 Speedometer | 6 Information display      |
| 3 Turbo gauge | 7 Trip meter reset button  |
| 4 Fuel gauge  |                            |

## Warning and indicator lights

The following warning and indicator lights are found on the main instrument panel.



## Antilock braking warning

This warning light illuminates when a fault arises in the antilock brake system.

The following message is shown on the Saab Information Display (SID):



Antilock brake malfunction.  
Contact Saab dealer.

The brake system will continue to function but without ABS modulation.



## Charge warning light

This light comes on when the battery is not being charged by the alternator. If the light comes on during driving, stop as soon as possible and switch off the engine.

Check the drive belt, see page 210.





**Warning, oil pressure  
(engine oil)**

This light will come on if the engine oil pressure is too low. If the warning light flashes or comes on while you are driving, stop immediately in a safe place, switch off the engine and check the oil level (see page 202).

**NOTICE**

Never drive the car when the oil pressure warning lamp is on. Low oil pressure can cause serious engine damage.

The following message is shown on the Saab Information Display (SID):



Oil pressure low.  
Make a safe stop.  
Turn off engine.



**Engine malfunction  
(CHECK ENGINE)**

**! WARNING**

An illuminated “Engine malfunction (CHECK ENGINE)” indicator light indicates an engine-related problem. While your car may be able to be driven with the “Engine malfunction (CHECK ENGINE)” indicator light illuminated (limp-home mode), you are advised to have your car serviced at an authorized Saab dealer as soon as possible.

Continued driving without this problem being corrected might cause serious further damage to your car and create unsafe driving conditions. The operator should be prepared to take action if such unsafe conditions arise (e.g. brake smoothly, engage neutral, stop in a suitable place, switch off the engine, etc.)

This light indicates a malfunction in the fuel or ignition system. The car may still be driven with care but the performance of the engine will be somewhat diminished (see page 150).

The following message is shown on the Saab Information Display (SID):



Engine malfunction.  
Contact Saab dealer.

**NOTICE**

The car should be checked immediately at a Saab dealer to prevent more serious faults from arising.



### High beam Indicator

This light shows when the high beam is on (see page 97).



### Front fog lights (option)

This light indicates when the front fog lights are on (see page 98).

The front fog lights are switched off automatically when the engine is switched off. When the fog lights are next needed, they will have to be switched on manually.



### Brake warning light

This light should come on briefly when you turn the ignition key to ON. If it doesn't come on, have it fixed so it will be ready to warn you if there is a problem. This light indicates when the brake fluid level is too low (see page 206).

The following message is shown on the Saab Information Display (SID):



Brake fluid level low.  
Make a safe stop.  
Contact Saab dealer.




### ! WARNING

- Never drive the car if these two lights are on at the same time. Danger of brake failure!
- If the level of brake fluid in the reservoir is below the MIN mark, the vehicle should be transported on a recovery vehicle.
- Have the brake system checked immediately at a Saab dealer.

For safety reasons, stop the car and check the level of the brake fluid (see page 206).

If the level is normal, depress the brake pedal firmly two or three times. Now check the level again. If the level is still normal, you may drive the car, with considerable caution, to the nearest Saab dealer to have the brake system checked.

The brake system provides Electronic Brakeforce Distribution (EBD). This distributes the brake pressure between the front and rear wheels, in such a way as to achieve optimum braking performance irrespective of the car's load.

If a fault arises in the EBD function, the ,  and  lights will come on. Also, the following message will appear on the Saab Information Display (SID):



Brake malfunction.  
Make a safe stop.  
Contact Saab dealer.

If this is the case, drive carefully and contact a Saab dealer as soon as possible. Refer to Brake warning light on page 80, Antilock braking warning on page 78 and TCS OFF or ESP OFF indicator on page 86.



**Safetybelt reminder**

This light reminds the driver to buckle up.



**Parking brake warning light**

This light comes on when the parking brake is applied (see page 173).

The parking brake is mechanical and operates on the rear wheels.

**! WARNING**

- **Always** apply the parking brake when parking, see page 173.
- **Always** apply the parking brake before removing the remote control.
- Do **not** apply the parking brake while the car is moving.



**Airbag warning light**

This light comes on if a potentially serious fault has occurred in the airbag system.

The following message is shown on the Saab Information Display (SID):



Airbag malfunction.  
Contact Saab dealer.

**! WARNING**

- If the airbag readiness light stays on after you start your vehicle, it means the airbag system may not be working properly. One or more of the following conditions may occur:
  - Non-deployment of the airbags in the event of a crash.
  - Deployment of the airbags without a crash.
  - Deployment of the airbags in crashes less severe than intended.
- To help avoid injury to yourself or others, have your vehicle serviced right away if the airbag readiness light stays on after you start your vehicle.

This light will come on for about four seconds when the ignition switch is turned to the Start or Drive position.



**Indicator, fuel**

This light comes on when there is less than about 2.5 gallons (10 litre) of fuel left in the tank.

**NOTICE**

If the car runs out of fuel, air can be drawn in with the fuel, which, in turn, can cause the catalytic converter to be damaged by overheating.



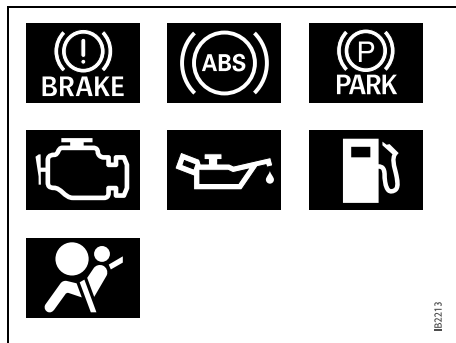
**Headlight and parking light indicator**

This light indicates that the headlights or parking lights are on.



**Cruise control indicator light**

This light comes on when the system is engaged.



BB2313



BB2314

**Autochecking of lights, main instrument panel**

The warning and indicator lights shown above should come on when the ignition switch is turned to ON. They should go out after about 4 seconds once the engine has started or after the fault-free self-diagnosis of each system or function.

**Instruments**

**Tachometer**

The tachometer displays the engine speed in thousands of revolutions per minute.

A protective function (interruption of the fuel supply) limits the engine speed within the red zone.



*Cars with manual transmission*



*Cars with automatic transmission*

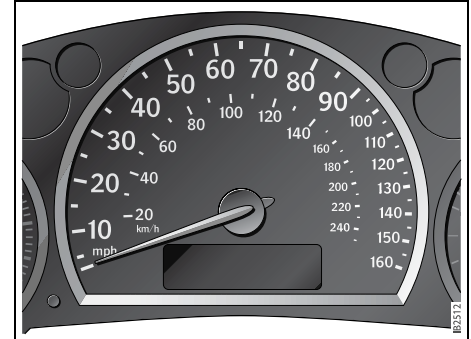
### Odometer and trip meter

The odometer records the distance travelled in miles on U.S. vehicles and on Canadian vehicles the distance indicated is in kilometres, and the trip meter in miles and tenths (kilometres and tenths of kilometres on Canadian vehicles).

### Reset button

The reset button is positioned immediately to the left of the speedometer.

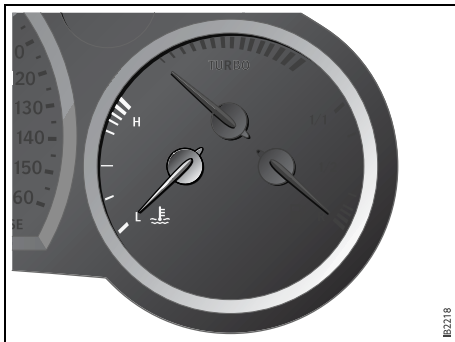
- Ignition ON:  
Press once – resets the trip meter.
- Ignition OFF:  
Press once – enables you to read the odometer and trip meter.  
Press twice – resets the trip meter.



### Speedometer

#### (U.S. speedometer shown)

The speedometer displays the speed of the car in miles per hour (mph). It receives information about vehicle speed from the ABS's wheel sensors.



### Temperature gauge

The temperature gauge shows the temperature of the coolant. The needle should be in the middle of the scale when the engine is at normal operating temperature.

If the needle goes into the red zone (which can occur at high outside air temperatures or under heavy engine loads), choose the highest possible gear ratio and the lowest possible engine speed, and avoid shifting down.

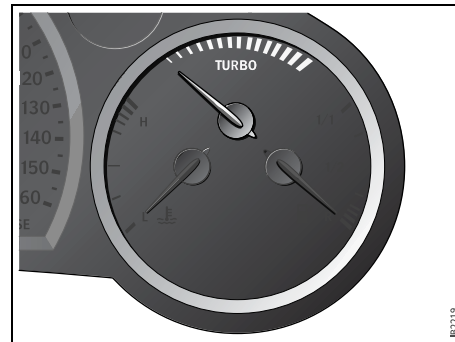
### NOTICE

If the needle, despite the above action, enters the red zone, stop the car in a suitable place and allow the engine to idle. If the needle continues to rise, switch off the engine.

If the needle repeatedly enters the red zone, stop the car as soon as it is safe to do so and check the coolant level (see page 205).

### ! WARNING

**Never** open the cap of the expansion tank completely when the engine is hot, open with care. The pressure in the cooling-system can cause hot coolant and steam to be released. Failure to heed this warning may result in personal injury.



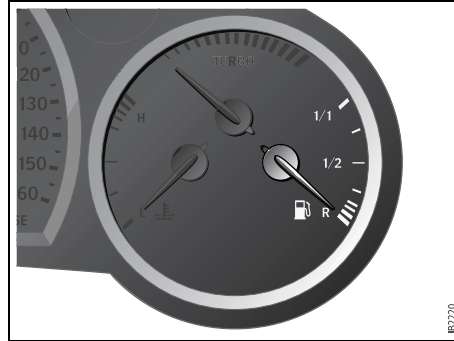
### Turbo gauge

The turbo gauge indicates the air volume used for combustion, which is equivalent to the engine load.

At low loads and when the engine is used for braking, the needle will move within the white zone.

Under certain barometric conditions the needle may enter the first part of the red zone without necessarily indicating that a fault has arisen.

If the needle repeatedly enters the red zone and the engine at the same time loses power, because the monitoring system is limiting the boost pressure, you should contact a Saab dealer as soon as possible. When the speed of the car exceeds 143 mph (230 km/h), acceleration is limited by reducing the boost pressure. The pressure gauge then moves towards the middle of the white field, indicating a drop in engine power and consequently the car's speed.



### Fuel gauge

When less than about 2.5 gallons (10 litre) of fuel is left in the tank, a warning light on the main instrument panel comes on. Refueling, see page 153.

## Information display, main instrument panel

Under the speedometer is a display. The information shown here varies depending on whether the car has a manual transmission or automatic transmission.

### Cars with manual transmission:



- The odometer reading is shown on the left-hand side of the display.
- Various information and faults are displayed in the center of the display.
- The trip meter reading is shown on the right-hand side of the display.

**Cars with automatic transmission:**

- The odometer and trip meter readings are shown on the left-hand side of the display.
- Various information and faults are displayed in the center of the display.
- The selected gear position is shown on the right-hand side of the display.

**Information symbol.  
Read information on SID**

This symbol comes on when a message or warning is displayed on the Saab Information Display (SID).

**Gear selector indicator  
(cars with automatic transmission)**

The current gear position is displayed on the right-hand side of the information display. When gears are selected manually, the letter M (manual) and the selected gear are displayed (see page 164).

**TCS or  
ESP indicator**

This symbol lights up when the system is operative.

Operation of the TCS or ESP indicates reduced cohesion between the tires and the road, and that extra care should be taken by the driver.

TCS - standard equipment.

ESP - certain variants only.

**TCS OFF or  
ESP OFF indicator****! WARNING**

The system improves ride comfort and safety during normal driving. It must however not be regarded as a system to enable the driver to maintain higher speeds. The same precautions as normal for safe cornering and driving on slippery roads must be adopted (see pages 169/ 171).

This symbol lights up when the system is disengaged using the ESP button.

If there is a malfunction, the symbol cannot be turned off by pressing the ESP button.



The following message is shown on the Saab Information Display (SID):



Traction control failure.  
Contact Saab dealer.

or



Stability control failure.  
Contact Saab dealer.

If so, have the system checked at a Saab dealer.

See also Traction Control System (TCS) on page 169 and Electronic Stability Program (ESP) on page 171.

## Saab Information Display (SID)

Various types of information are shown on the SID: warnings, indications, trip computer information and information from the car's Infotainment System.

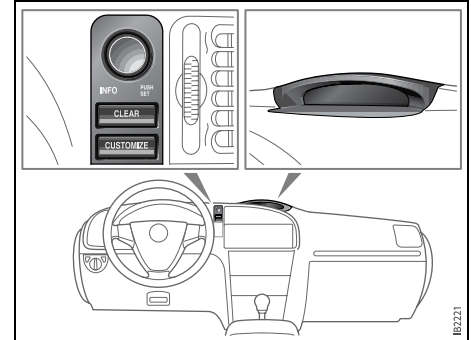
The warnings and indications that can be shown on the SID are listed on page 281.

When the engine is switched off, the current warnings and indications are displayed.

If there is more than one message on the SID, a plus sign will be displayed to the left of the first message. Each message will be displayed for 10 seconds.

Press the CLEAR button to acknowledge a SID message. If you acknowledge a message but do nothing about it, the message will be displayed again the next time you start the car.

You can adjust the settings of several of the car's systems, such as the clock, alarm and climate control system. These are known as Profiler.



*SID, control unit and display*

### Profiler

Adjustments can be made with the control unit situated between the main instrument panel and the audio system. This is called Profiler.

- 1 Activate Profiler by pressing the CUSTOMIZE button.
- 2 Turn the INFO dial until the appropriate system is selected.
- 3 Confirm selection by pressing the INFO dial.


Select Exit once you have made the desired settings.

The number of systems that are displayed on the SID depends on the car's equipment level. The list shown below includes the systems that can be found in your car.

<b>Park Assistance</b> , page 178.	
	SPA on
	SPA off
<b>Clock / Alarm</b> , page 92.	
	Set Clock
	Set Alarm 08:30
<b>Rain Sensor</b> , page 101.	
	High
	Medium
	Low

<b>Climate System</b> , page 117.	
	Rear Defroster
	Heated Seats
	Fan Settings
	Air Distribution
	A/C Mode
	Dual/Single Zone
	Default Settings
<b>System Settings</b> , page 94.	
	Language
	Unit
	Speed Scale Illum.
	Service Info

### Trip computer function of the SID

 <b>WARNING</b>
<p>It is strongly recommended that the SID settings be changed only when the car is stationary. The driver's attention can otherwise easily be distracted from the road.</p>

SID contains the following functions:

- Temp** Outdoor temperature
- D.T.E.** Estimated range (distance to empty fuel tank)
- Fuel Ø** Average fuel consumption since function last reset
- Date** Date
- Dist** Distance to destinations. Function can also be used as a trip meter
- Arriv** Estimated time of arrival
- Speed Ø** Average speed since function last reset
- Speed W** Speed warning (chime)

When the engine is started, the function that was selected when the engine was switched off is displayed, with the following exceptions:

- **Temp** is displayed if the outside temperature is between 26 and 38°F (–3 and +3°C).
- **D.T.E** is displayed if less than or equal to 30 miles (50 km).

### Outdoor temperature



### WARNING

Remember that roads can be icy even at temperatures of above 38°F (+3°C), especially on bridges and stretches of road that are sheltered from the sun.

The **Temp** function is always activated (even in NIGHTPANEL mode) if the outdoor temperature rises or falls to between 26 and 38°F (–3 and +3°C).

If the temperature sensor, located under the front bumper, is covered by snow or ice, temperature readings will be unreliable.

**For how to set the year, month and day, refer to Clock on page 92.**

### Setting values

- 1 Select one of the functions using the INFO dial.
  - **Speed W** (preset to 55 mph (90 km/h))
  - **Dist** (preset to 100 miles (100 km) if not previously set)
  - **Speed Ø**
  - **Arriv**
- 2 Press and hold the INFO dial until given audible confirmation.
- 3 Turn the INFO dial to change the value. (Press CLEAR to reset the value.)
- 4 Press the INFO dial to finish setup.

### Using DIST as a trip meter

- 1 Select **Dist** using the INFO dial.
- 2 Press and hold the CLEAR button for approx. 1 second.

An arrow will now appear on the right-hand side of the display, indicating that the trip meter is running.

### Resetting a single function

- 1 Select the function you wish to reset with the INFO dial.
  - **Fuel Ø**
  - **Speed Ø**
  - **Trip** (Dist used as trip meter)
- 2 Press and hold the CLEAR button for approx. 1 second.

The selected function will now be reset.

### Resetting the trip computer

- 1 Select one of the functions using the INFO dial.
  - **Fuel Ø**
  - **Speed Ø**
  - **D.T.E.**
  - **Arriv**
  - **Trip** (Dist used as trip meter)
- 2 Press and hold the CLEAR button (approx. 3 seconds) until audible confirmation is given.

**Speed warning**

This value is preset to 55 mph (90 km/h). The value can be set to between 0 and 150 mph (0 and 250 km/h).

- 1 Select **Speed W** using the INFO dial.
- 2 Press and hold the INFO dial until given audible confirmation.
- 3 Adjust the speed using the INFO dial.
- 4 Confirm the setting by pressing the INFO dial.

A star on the right-hand side of the display indicates when the speed warning function is active.

An audible alarm will sound if the set speed is exceeded.

Disengage the function with the CLEAR button. Re-engage the function using the INFO dial.

**Calculating the arrival time**

(When will I arrive if I know how far I have to drive?)

This function should be used before starting out a journey.

To calculate the arrival time, the distance must first be given.

- 1 Select the **Dist** function using the INFO dial.
- 2 Press and hold the INFO dial until given audible confirmation.
- 3 Set the distance to the destination using the INFO dial.
- 4 Press the INFO dial to finish setup.

Select **Arriv** during the journey to display the arrival time based on the average speed since **Dist** was set. If you take a break, this time will be added to the previously calculated arrival time.

Similarly, you can check the distance left by selecting **Dist**.

After the distance to destination has decreased to zero, **Dist** will function as a trip meter (see Using DIST as a trip meter). The starting value for the trip meter will be the last distance set for the **Dist** function.

Example: The **Dist** function is set to 100 miles. After the count-down has reached 0 miles, **Dist** will act as a trip meter beginning at 100 miles.

**Calculating the arrival time if a specified average speed is maintained**

(When will I arrive if I know how far I have to drive and know what my average speed will be?)

This function should be used before starting out a journey.

First, set the distance under **Dist**.

- 1 Then use the INFO dial to select the **Speed Ø** function.
- 2 Press and hold the INFO dial until given audible confirmation.
- 3 Turn the INFO dial to set the estimated average speed.
- 4 Press the INFO dial to finish setup.

The time of arrival is updated during the journey based on the average speed since **Dist** was set. The speed of the car must exceed 12 mph (20 km/h).

By selecting **Dist** during the journey, you can see how much distance is left to travel.

When **Dist** reaches zero it acts as a trip meter. The trip meter starts from the distance that was set previously.

**Calculating the requisite average speed**

(What average speed do I need to maintain to get to my destination in time?)

This function should be used before starting out a journey.

To calculate the requisite average speed, the distance must first be given.

First, set the distance under **Dist**.

- 1 Then use the INFO dial to select the **Arriv** function.
- 2 Press and hold the INFO dial until given audible confirmation.
- 3 Turn the INFO dial to set the estimated time of arrival.
- 4 Press the INFO dial to finish setup.

The average speed (**Speed Ø**) will be shown for 10 seconds.

This average speed will be updated during the journey.

**Setting the date**

- 1 Select the **Date** function using the INFO dial.
- 2 Press and hold the INFO dial until given audible confirmation.
- 3 Turn the INFO dial to set the year.
- 4 Press the INFO dial.
- 5 Turn the INFO dial to set the month.
- 6 Press the INFO dial.
- 7 Turn the INFO dial to set the day.
- 8 Confirm the setting by pressing the INFO dial.

**NIGHTPANEL**

To improve night-driving conditions inside the car, the Night Panel mode can be selected. In this mode, the amount of information displayed is reduced, and only the most important instruments and displays will be illuminated.

When the NIGHTPANEL button is pressed, only the speedometer will be illuminated.

All other instrument lighting will be switched off and the needles drop to zero.

**Note:** All indicator and warning lights and messages will operate normally if required.

**Temp** (when the outside temperature falls or rises to between 26 and 38°F (-3 and +3°C)) and **D.T.E.** (when the remaining fuel is only sufficient for approx. 80 miles (50 km) of driving) are even shown in Night Panel model.

Under Profiler you can choose whether the entire speedometer scale (0–160 mph) or only part of the scale (0–90 mph) should be illuminated in *NIGHTPANEL* mode.

- 1 Press the CUSTOMIZE button to go to Profiler.
- 2 Select System Settings using the INFO dial.
- 3 Press in the INFO dial.
- 4 Select Speed Scale Illum.

Select 0–160 mph or 0–90 mph.

System Settings	
Speed Scale Illum.	
	0–160 mph
	0–90 mph

### Clock

Settings can be made from Profiler.

- 1 Press the CUSTOMIZE button to go to Profiler.
- 2 Select Clock / Alarm using the INFO dial.
- 3 Press in the INFO dial.
- 4 Select Set Clock.
- 5 Select Manual.

Select Manual to set the time, year, month and day.

#### Manual setting:

- 1 Turn the INFO dial to change the value.
- 2 Press the INFO dial once after each setting (time, year, month and day) to confirm the value.

Once you have selected the day, press the INFO dial to finish setting and update the clock.

Press the CLEAR button once to go back a step when setting the time, year, month and day manually.

Press the CUSTOMIZE button to cancel setting.

**RDS setting:** The time, year, month and day can also be set from the RDS signal (from RDS Adjust) provided that the RDS signal from the current station contains this information. This may vary between different radio stations and different countries.

Clock / Alarm	
Set Clock	
	RDS Adjust
	Manual
	Clock 11:30
	Year 2003
	Month Dec
	Day 1 Mon

When the remote control is not in the ignition switch, you can illuminate the clock for 5 seconds by pressing the INFO dial.

Explanation of setting the clock.

**Set Clock**

RDS Adjust:

*In order to use this function, the car's radio must be tuned to a FM station known to transmit a time signal. Saab has no control over the level of RBDS information, or the content, being transmitted by radio stations.*  
*Set the year, month and day under Manual if the current radio station does not transmit this information.*

Manual:

*Use the INFO dial to set time, year, month and day manually.*

**Alarm**

Settings can be made from Profiler.

- 1 Press the CUSTOMIZE button to go to Profiler.
- 2 Select Clock / Alarm using the INFO dial.
- 3 Press in the INFO dial.
- 4 Select Set Alarm 08:30.  
 If the alarm is not activated: set using the INFO dial.  
 If the alarm is activated (Set Alarm 08:30 on): select Alarm on or Alarm off.

Clock / Alarm
Set Alarm 08:30
Alarm 09:40
Set Alarm 08:30 on
Alarm on
Alarm off

Explanation of setting the alarm time.

**Set Alarm 08:30**

Set Alarm 08:30:

*A new alarm time can be set. Use the INFO dial.*

Set Alarm 08:30 on:

*A preset alarm time exists. Select Alarm on or Alarm off.*

### System Settings

Under this heading you can make system settings, such as change the display language, units and service information.

- 1 Press the CUSTOMIZE button to go to Profiler.
- 2 Select System Settings using the INFO dial.
- 3 Press in the INFO dial.
- 4 Select the desired heading using the INFO dial.
- 5 Press in the INFO dial.

<b>System Settings</b>	
Language (The number of languages can vary between markets.)	
English	
French	
German	
Italian	
Spanish	
Swedish	
<b>Unit</b>	
Metric	
Imperial	
US	
<b>Speed Scale Illum.</b>	
0–160 mph	
0–90 mph	

<b>Service Info</b>	
<b>Service Data</b>	
Oil quality: xxx %.	xxxx days to service.
<b>Service Type</b>	
Time for service.	
Time for intermediate service.	
Time for main and intermediate service.	
Time for main service	
<b>Reset Service Ind.</b>	
Are you sure?	
Yes	No



---

Explanation of the various selections under System Settings.

### **Language**

*Select the desired language. The number of languages can vary between markets.*

### **Unit**

*Select the desired group of units.*

### **Speed Scale Illum.**

*Select the proportion of the speedometer to be illuminated in NIGHT-PANEL mode.*

### **Service Info**

Service Data:

*The approximate condition of the oil is shown here. 100% is equivalent to new engine oil.*

Service Type:

*The type of service that is required is shown here.*

Reset Service Ind.:

*The service indicator can be reset here. This is normally done at the dealer in connection with a service.*

## Switches

### Daytime Running Lights

The parking lights and daytime running lights come on automatically when the ignition switch is in the ON position.

High beam can not be activated in this position but headlight flasher can.

### Parking lights

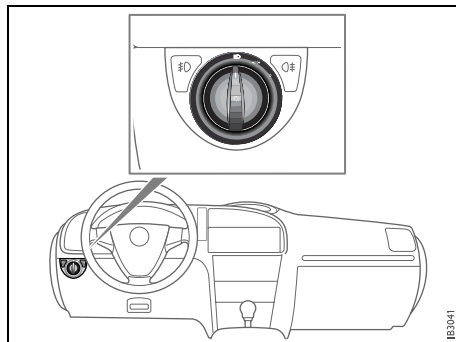
The parking lights can be turned on irrespective of the position of the ignition switch. If the parking lights are on and the driver's door is opened, a reminder to turn them off will sound.

Do not use the parking lights alone while driving.

The parking lights may be used in combination with the front fog lights (see page 98).

### Headlights

Low beam headlights are turned on when the ignition switch is turned to ON and turned off when the switch is turned back to LOCK.



*Light switches*

### Headlight levelling (cars with xenon headlights)

Cars with xenon headlights are equipped with an automatic headlight levelling system, which self-calibrates each time the vehicle is started.

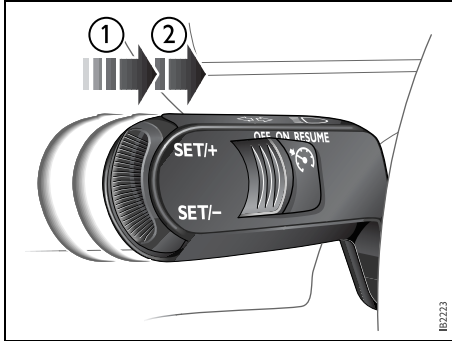
If a fault arises in the automatic headlight levelling system, the headlights will be angled down to avoid dazzling drivers in oncoming traffic. Adjust your speed accordingly as the range of the headlights will be reduced. Check fuse 20 in the engine bay fuse box (see page 232).

A fault in the system will produce the following message on the Saab Information Display (SID):



Headlight levelling malfunction.  
Contact Saab dealer.

Special equipment is required for adjusting the basic headlight alignment.




#### Dipswitch

- 1 Headlight flasher
- 2 High/low beam

### High/low beam

To switch between high and low beam, pull the control stalk all the way towards the steering wheel. (Headlight switch must be ON.)

The  symbol on the main instrument panel shows when the high beam is on.

### Headlight flasher

To flash your headlights, pull the control stalk half-way towards the steering wheel. The high beam will remain on until you release the stalk.

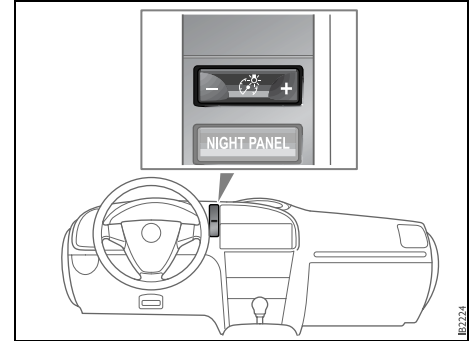
### Courtesy Headlamp Feature

A delay function allows the low beam headlights and back-up lights to remain on for about 30 seconds after the driver's door has been closed.

To activate this function:

- 1 After turning off the engine, remove the remote control.
- 2 Open the driver's door.
- 3 Pull the control stalk all the way towards the steering wheel.

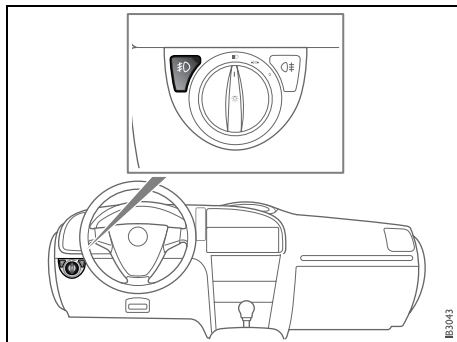
The low beam headlights and reversing lights will come on and remain on for 30 seconds when the door is closed.



#### Adjusting instrument illumination

### Instrument lighting

The brightness of the instrument lighting can be adjusted by pressing the button (+ or - signs on the button above the NIGHT-PANEL button).



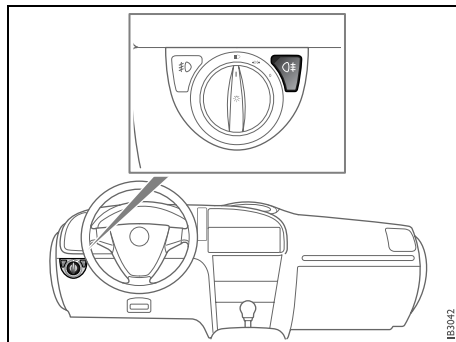
Front fog light switch

### Front fog lights (certain variants only)

The front fog lights should be used in poor visibility.

These are automatically turned off when the engine is switched off. When the car is next started, the fog lights will have to be switched back on manually by pressing the fog light switch. If the engine is restarted within 30 seconds, the front fog lights will remain on.

**Acquaint yourself with the legal provisions governing the use of front fog lights.**



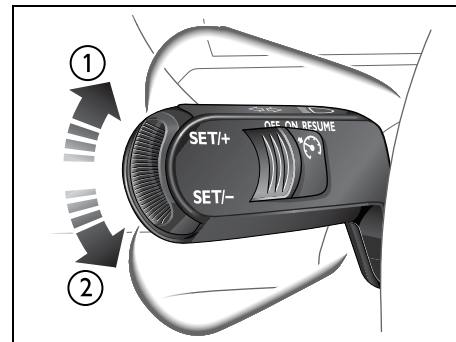
Rear fog light switch

### Rear fog light

To turn on the rear fog light, press the rear fog light button on the instrument panel. The headlights or front fog lights must be on.

The rear fog light is automatically turned off when the engine is switched off. When the car is next started, the rear fog light will have to be switched back on manually by pressing the rear fog light switch. If the engine is restarted within 30 seconds, the rear fog light will remain on.

**Acquaint yourself with the legal provisions governing the use of rear fog light.**



Turn signal & lane change indicators

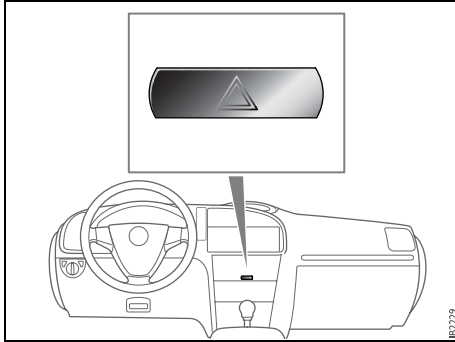
- 1 Right
- 2 Left

### Turn signal & lane change indicators

The stalk switch has an intermediate, spring-loaded position that is useful for signalling when changing lanes or passing. The stalk switch also has fixed positions for indicating a right or left turn, that are cancelled automatically when the steering wheel is centered.

If an indicator bulb breaks, the frequency with which the indicators flash will be doubled.

This frequency is also doubled if a trailer is being towed and one of its indicator bulbs breaks.



*Hazard warning light switch*

### Hazard warning lights

The button for the hazard warning lights is located on the climate control panel.

When the button is pressed, all the direction indicators and the symbol in the button flash simultaneously.

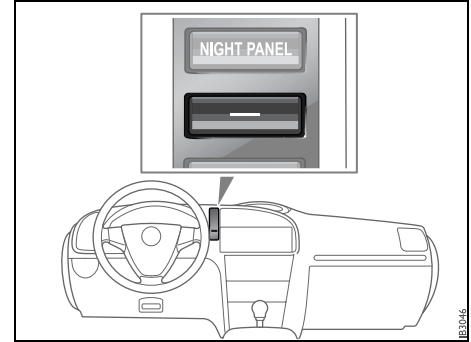
If an indicator bulb breaks, the frequency with which the indicators flash will be doubled.

Hazard warning lights should only be used if, because of an accident or breakdown, the car constitutes a hazard to other road users.

**WARNING**

Switch on the hazard flashers if the car has to be left at the roadside on account of a crash, engine trouble or a flat tire.

If you carry a warning triangle or flares, they should be set up along the side of the road 50–110 yds. (50–100 metres) behind your vehicle. If the car is not clearly visible (e.g. over the brow of a hill or bridge), place the triangle/flare even further back.



### Button for accessory, Sport Sedan

This button can be used for accessories, such as extra lights.

## Priority of audible information

Sound from various functions in the car, such as the direction indicators, parking assistance and seatbelt reminders, come from the same sound source: the car's sound system. If two or more of these functions are active simultaneously, the most important function at that time will be prioritized.

If, for example, the direction indicators are active when you engage reverse, the parking assistance (if fitted) will be heard instead of the direction indicators. When reverse is disengaged, the direction indicators will be heard, if they are still active.

## Wipers and washers

### Windshield wipers

Position 1 is a spring-loaded position that will produce a single sweep of the wipers.

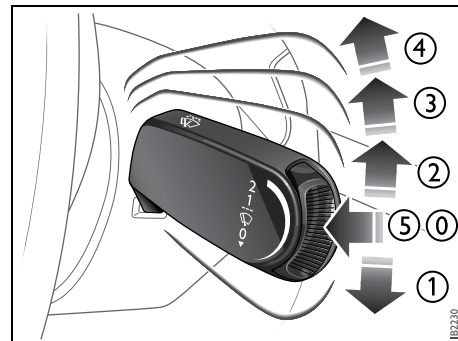
In position 2 you can set the delay period for intermittent wiping using the thumbwheel on the stalk switch. There are 5 delay periods from which to choose, ranging from 2 to 15 seconds.

The wipers always return to their home position when the ignition is turned off.

To leave the wipers positioned vertically on the windshield, proceed as follows:

- 1 Switch off the engine and remove the remote control.
- 2 Activate the wipers within the next 16 seconds by pressing the stalk switch down.

When the ignition is next switched on the wipers will return to their home position.



*Windshield wipers*

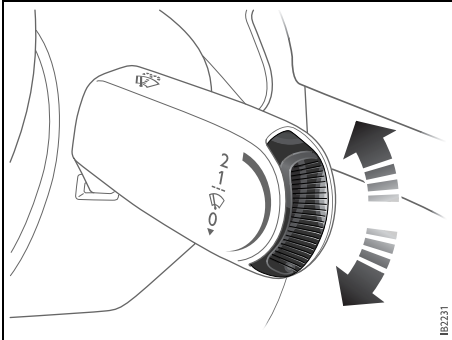
- 0 OFF
- 1 Single sweep
- 2 Intermittent wiping
- 3 Low speed
- 4 High speed
- 5 Windshield and headlight washing (certain variants only)

### Washers

Activate the washers by pulling the stalk switch towards the steering wheel.

When the washers are operated, the wipers will make 3, 4 or 5 sweeps, depending on how long the washers were kept on. If the speed of the car is less than 12 mph (20 km/h), the wipers will make an additional sweep after roughly 8 seconds.

When the washer fluid level drops below 1 quart (1 litre), the headlight washers (if equipped) are deactivated. This is in order



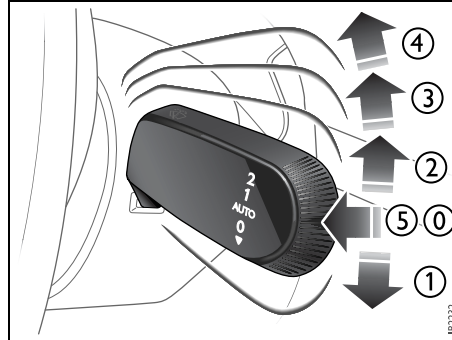
Control for setting wiper delay

to prioritize the windshield. The following message is displayed on the SID:



Washer fluid level low. Refill.

To prevent the smell of washer fluid from entering the car, recirculation can be activated automatically while the windshield is washed. The recirculation symbol will however not light up. This function is optional; contact a Saab dealer. This automatic recirculation is the factory default setting as long as the system is working in full "AUTO" mode with no customized settings.



Windshield wipers with rain sensor

- 0 OFF
- 1 Single sweep
- 2 AUTO - rain sensor engaged
- 3 Low speed
- 4 High speed
- 5 Windshield and headlight washing (certain variants only)

### Headlight washers (certain variants only)

The headlights are washed at the same time as the windshield if the headlights are on. The headlights are washed every fifth time the windshield washers are used or if two (2) minutes have elapsed since the windshield was last washed.

The headlight washers are not activated at speeds in excess of 125 mph (200 km/h).

### Rain sensor (option)

<b>WARNING</b>
Turn the rain sensor off if the ignition is ON to avoid personal injury when clearing snow and ice from the windshield.

<b>NOTICE</b>
Turn the rain sensor off before washing the car in an automatic carwash, to avoid damaging the windshield wipers.

The rain sensor automatically controls the windshield wipers. The sensor is located on the windshield beside the rearview mirror. The system varies the frequency of wiping between single sweeps and continuous wiping, depending on the amount of precipitation.

Activate the rain sensor by lifting the stalk switch to the AUTO position. The wipers make one sweep for reference to see how much water is on the windshield. In the future, the sensor compares the amount of water on the windshield with this reference value.

If the stalk switch is left in the AUTO position when the engine is switched off, when the engine is next started it must first be moved to the 0 or 3 position and then back to AUTO to reactivate the sensor.

If the system malfunctions, the wipers will operate at low speed when the stalk switch is set to the AUTO position.

**Adjusting sensitivity**

The sensitivity of the rain sensor can be adjusted under Profiler. If you increase the sensitivity, the wipers will make one sweep for reference.

- 1 Press the CUSTOMIZE button to go to Profiler.
- 2 Select Rain Sensor using the INFO dial.
- 3 Press in the INFO dial.
- 4 Select the sensitivity by turning the dial.
- 5 Confirm this selection by pressing the INFO dial.

Rain Sensor
High
Medium
Low

The sensitivity of the sensor is also affected by the amount of daylight. The sensor is somewhat more sensitive at night. This adjustment is automatic.

Explanation of sensor sensitivity.

**High**

*The sensor is set to high sensitivity. The wipers start when there is only a small amount of water on the windshield.*

**Medium**

*The sensor is set to normal sensitivity. This is one of the Default Settings.*

**Low**

*The sensor is set to low sensitivity (wipers operate only with a large amount of water on the windshield, i.e., down-pour).*



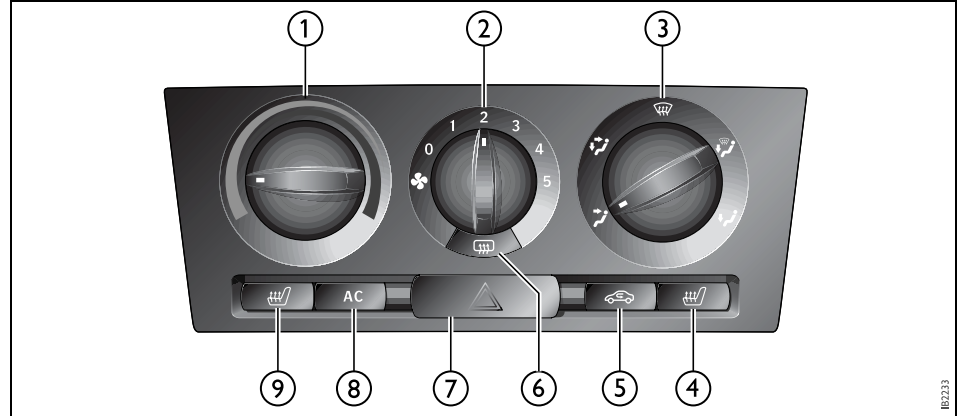
## Manual climate-control system

Fresh air for the cabin is drawn in through an inlet grille at the bottom edge of the wind-shield. It passes through a filter before reaching the climate control system and delivery into the cabin. The air is evacuated via openings in the parcel shelf. It is then led through outlets on either side of the car behind the rear bumper.

The incoming air is treated in three stages: first it passes through a filter; it is then dehumidified and cooled; and finally, if required, it is heated.

To optimize the performance of the A/C system, all windows and the sunroof should be shut.

To reduce potential misting on the insides of the windows, the glass should be cleaned with a quality glass cleaner. How often this will need to be done depends on how clean the air is - if there are smokers in the car, the windows will need to be cleaned more frequently.



*Control panel: manual climate control*

- 1 Temperature
- 2 Fan speed
- 3 Air distribution
- 4 Seat heating, front right seat
- 5 Recirculation

- 6 Rear window/door mirror heating
- 7 Hazard warning lights
- 8 Air conditioning (A/C)
- 9 Seat heating, front left seat



### Fan

The output of air is controlled by the fan speed.

### Temperature control

The temperature of the incoming air can be infinitely varied using the temperature control.


## Air distribution

The air distribution control is used to direct the flow of air to the defroster, panel and floor vents.

The control also permits settings in between the three main settings defroster, panel and floor:


- defroster and floor 
- panel and floor 
- defroster, panel and floor (11 o'clock position)

To counter cold drafts from the front side windows when the control has been set to defroster or floor, a small flow of air issues from the outer vents on the fascia.

As the winter comfort setting, we recommend that the distribution knob be turned to .

## Recommended settings in severe cold


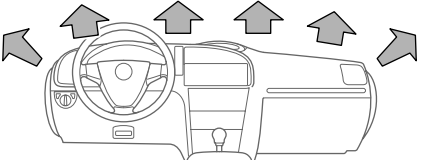
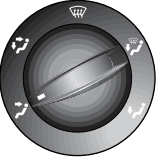
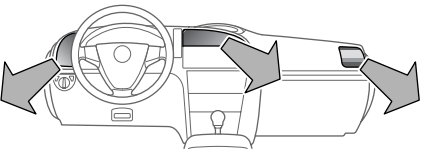
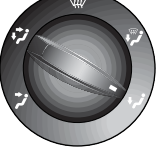
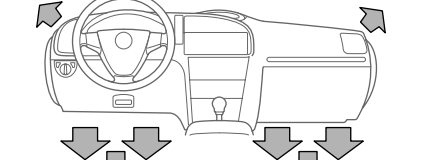

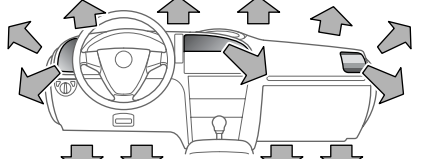
On starting with a cold engine, set the fan speed to 2 or 3 and select maximum heat and defroster to heat the cabin and demist the windshield as quickly as possible.

When the engine is warmer and the temperature gauge starts to rise, fan setting 4 may be chosen. Once the windshield is clear, the air distribution control should be turned to .





If the rear seat passengers desire more warmth to the feet, turn the distribution knob one step clockwise.

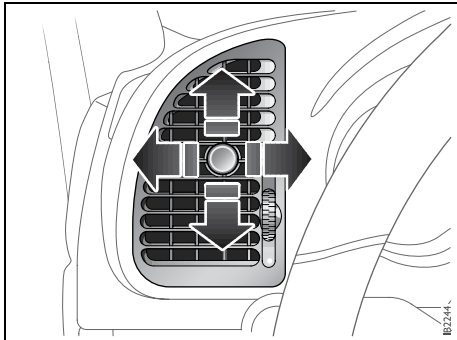
How quickly the engine warms up will depend on how the car is driven. It will take longer for the engine to warm up if the car is driven in a high gear at low engine speeds, such as in town, than if it is driven at high engine speeds on a highway, for example.

Do not use fan speed 5. This is primarily intended for rapid cooling during the summer. Using it in cold weather will delay the engine warm-up time and providing heat to the passenger compartment.

	
<p>Defroster</p>	
	
<p>Panel</p>	
	
<p>Floor</p>	
	
<p>Defroster, panel and floor</p>	

**Settings for various weather conditions**

	<p>IB2238</p>
<p><i>Winter – defroster</i></p>	
	<p>IB2239</p>
<p><i>Winter – comfort setting</i></p>	
	<p>IB2240</p>
<p><i>Summer – overcast</i></p>	
	<p>IB2241</p>
<p><i>Summer – sunny</i></p>	



Panel vent

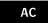
## Air vents

The air vents swivel universally, so that air can be directed as desired. In winter, for instance, the outer vents can be directed onto the door windows for enhanced demisting.

The amount of air can be individually controlled by the regulator on each vent. If you wish to reduce the airflow, start by half-shutting the vent in question.

AC

## Air conditioning (A/C)

The air conditioning is combined with the conventional climate control system and is switched on by pressing the  button, provided that the fan control is in position 1-5.

The incoming air is treated in three stages: first it passes through a filter; it is then dehumidified and cooled; and finally, if required, it is heated.

If the engine coolant gets too hot, the A/C compressor will be turned off.

**Convertible:** When the soft top or all the windows are open in a hot, humid climate, it is recommended to switch off the air conditioning to save fuel. Also, if the air conditioning is on, condensation may form on cold surfaces such as the floor air ducts.


## Condensation water

When the A/C compressor is on, the incoming air is dehumidified. The resulting condensation water is drained away through an outlet under the car.

It is therefore perfectly normal for water to be seen dripping from this outlet when the car is parked. The warmer the ambient air and the higher the humidity, the more condensation will form.



## Recirculation

When the  button is pressed, the regular air intake will be closed. In this mode, the air inside the cabin is recirculated.

Use recirculation when you wish for rapid cooling at very high outside temperatures. Switch the air conditioning (A/C) on first.

If necessary, recirculation can be switched on manually to avoid unpleasant air from entering the car.

**Only use recirculation for a short period of time at temperatures lower than 50°F (+10°C), such as to avoid unpleasant air. Mist or ice may otherwise form on the windows.**



### Electrically heated rear window/external mirrors

This button is located under the fan speed control.

Always switch off the heating as soon as the rear window is free from ice and mist. It will be turned off automatically after 12 minutes. Refrain from placing sharp objects on the parcel shelf, to avoid damaging the heating element.

**Convertible:** The rear window heating is not turned on if the soft top is folded down.



### Electric heating, front seats (option)

The seat cushions and backrests of the front seats are heated.

The heating is thermostatically controlled and set at approx. 104°F (40°C).

Switch off the seat heating once the seat is warm.

## Automatic climate-control system (ACC)

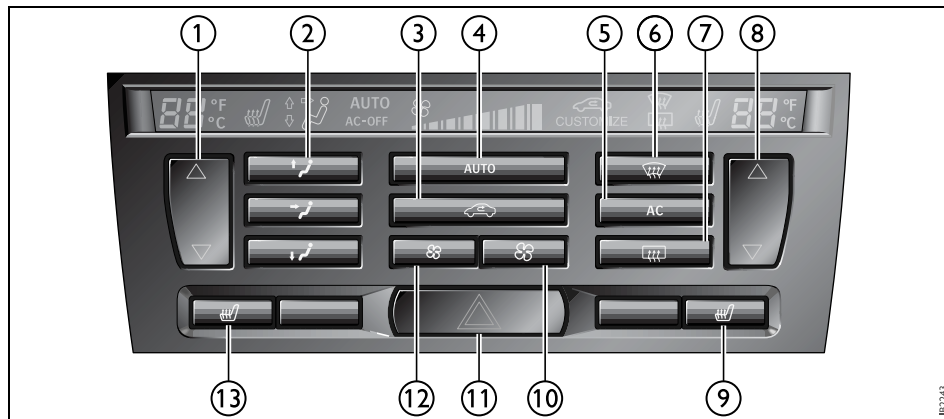
Fresh air for the cabin is drawn in through an inlet at the bottom edge of the windshield. It passes through an effective filter before reaching the climate control system and delivery into the cabin. The air is evacuated via openings in the parcel shelf. It is then led through outlets on either side of the car behind the rear bumper.

The Automatic Climate-Control system (ACC) automatically maintains the desired cabin temperature, regardless of the weather outside.

The system will achieve the desired temperature in the quickest possible way.

**Note that heating or cooling is not speeded up by setting the temperature higher or lower than the final temperature you desire.**

To optimize the performance of the air conditioning system, all windows and the sun-roof should be shut. The air vents in the fascia must be open.



### ACC panel

- |  |  |
|--|--|
| <ul style="list-style-type: none"> <li>1 Temperature setting: left-hand side</li> <li>2 Manual setting of air distribution</li> <li>3 Recirculation</li> <li>4 AUTO (automatic regulation)</li> <li>5 A/C</li> <li>6 Defroster</li> <li>7 Rear window heating</li> <li>8 Temperature setting: right-hand side</li> <li>9 Seat heating, front right seat</li> </ul> | <ul style="list-style-type: none"> <li>10 Manual increase of fan speed</li> <li>11 Hazard warning lights</li> <li>12 Manual decrease of fan speed</li> <li>13 Seat heating, front left seat</li> </ul> |
|--|--|

The incoming air is treated in three stages: first it passes through a filter; it is then dehumidified and cooled; and finally, if required, it is heated.

To reduce potential misting on the insides of the windows, the glass should be cleaned with a quality glass cleaner. How often this will need to be done depends on how clean the air is - if there are smokers in the car, the windows will need to be cleaned more frequently.

## Temperature control

The cabin is divided into two temperature zones:

- 1 Driver's zone.
- 2 Passenger zone.

The temperature in the rear seat will be a mixture of the two zones.

If you choose the single zone setting, the entire cabin is treated as one zone. If you choose the dual zone setting, settings can be made separately for the driver's zone and passenger zone.

Select between single and dual zone settings under Profiler (see page 117).

The cabin temperature can be set to between 58–82°F (15–27°C). In addition, HI (maximum heating and high fan speed) and LO (maximum cooling and maximum fan speed) can be selected. HI and LO can only be selected for the passenger zone if the driver has selected the same setting.

The displayed temperature is not the actual air temperature but corresponds to the comfort level normally experienced at that temperature after allowance has been made for the airflow, relative humidity, solar radiation, and so on, currently prevailing inside the car.

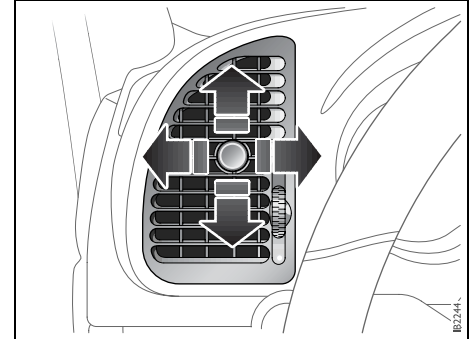
- The most usual temperature setting is between 66–74°F (19–23°C), depending on personal preference and what clothing is worn.
- Change the temperature setting in 2°F (1°C) steps.
- Make sure the air vents are open when cooling the cabin in warm weather.

### Settings when HI is selected:

- Maximum heat
- Air distribution to windshield and floor
- High fan speed (6 bars on the fan display).

### Settings when LO is selected:

- Maximum cooling
- Air distribution to air vents in fascia
- Maximum fan speed (8 bars on the fan display).
- Recirculation ON (depending on outside temperature).



*Panel vent*

## Air vents

The air vents swivel universally, so that air can be directed as desired. In winter, for instance, the outer vents can be directed onto the door windows for enhanced demisting.

The amount of air can be individually controlled by the regulator on each vent. If you wish to reduce the airflow, start by half-shutting the vent in question.

Certain variants have an air vent on the rear of the floor console.

The system uses four sensors:

- Outside air temperature sensor
- Cabin air temperature sensor
- Sun sensor
- Blended air temperature sensors (located in the heater unit and the outer panel vent duct).

The sun sensor is located centrally on the top of the fascia.

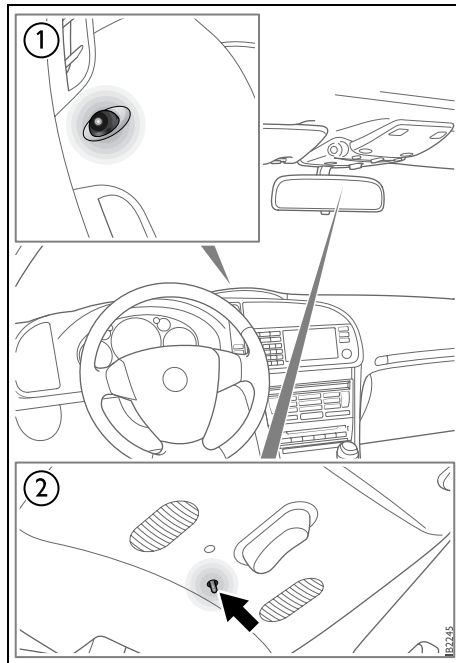
**Note:**

If the sun sensor is covered, the ACC system will not be able to regulate the cabin climate as intended, especially in strong sunshine.

**Condensation water**

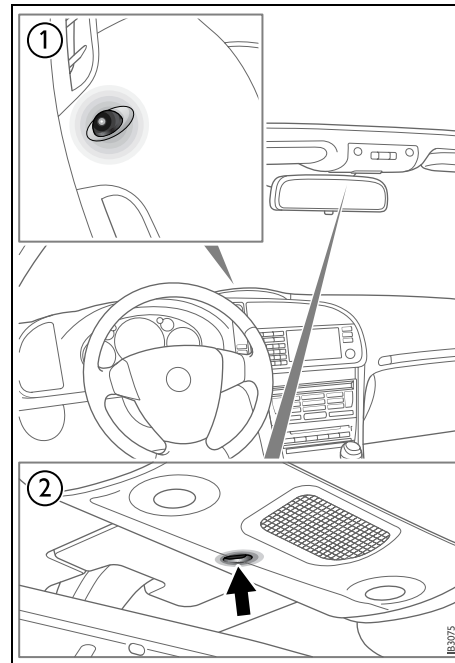
When the A/C compressor is on, the incoming air is dehumidified. The resulting condensation water is drained away through an outlet under the car.

It is therefore perfectly normal for water to be seen dripping from this outlet when the car is parked. The warmer the ambient air and the higher the humidity, the more condensation will form.



*Sun- and cabin sensor, Sport Sedan*

- 1 Sun sensor
- 2 Cabin temperature sensor



*Sun- and cabin sensor, Convertible*

- 1 Sun sensor
- 2 Cabin temperature sensor



## Functions

Pressing AUTO will cancel all manual settings.

If a manual function is selected, it will be locked in but other functions will be controlled automatically.

The selected temperature is always maintained automatically.



AUTO

Temperature, air distribution, fan speed and recirculation will be controlled automatically. In falling temperatures the A/C compressor is switched off at approx. 32°F (0 °C). In rising temperatures the A/C compressor is switched on at approx. 40°F (+5 °C). If, when starting the car, the outside air temperature is between 32°F and 40°F (0 and +5 °C), the A/C compressor is switched on. Pressing AUTO once will cancel all previous manual air distribution selections. When the engine is started, the ACC system will be in AUTO mode, provided that no air distribution settings are programmed under Profiler (see page 117).



AC

The A/C compressor must be turned on and off manually with the AC button. The compressor can only be turned on or off while the engine is running. This function has two modes:

- AC – The system cools and dehumidifies the incoming air. This symbol is not shown in the display.
- AC-OFF – The A/C compressor is switched off. The incoming air is not cooled or dehumidified. See also Profiler on page 117.



To turn the system OFF, press and hold (or press repeatedly) the button to reduce the fan speed until the fan is switched off. Then release the button and press it once more.

The A/C compressor will now be disengaged. To re-engage the A/C, press one of the following buttons:



- The A/C compressor will be switched on if it was previously engaged, and the air distribution and fan speed will switch to AUTO.



- Higher fan speed  
The A/C compressor will be switched on if it was previously engaged, the air distribution will return to its previous setting and fan speed will increase.




- Defroster  
The A/C compressor will be switched on if it was previously disengaged, the air distribution will switch to Defroster and the fan speed will increase (6 bars on the display out of a maximum of 8).


When the system is switched OFF:


- The fan and A/C compressor are switched off.
- The temperature control is set to 0 % heat.
- The current air distribution setting is retained.
- Recirculation can be selected.






The rear window and door mirror heating can be controlled manually or automatically (refer to Profiler).  
Switch off the rear window and door mirror heating as soon as the glass is clear. The heating will be turned off automatically after 12 minutes. Refrain from placing sharp objects on the parcel shelf, to avoid damaging the heating element.

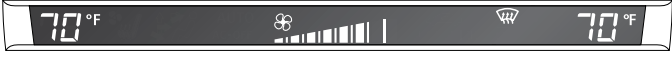



 Recirculation is controlled manually. Recirculation is not selected when the engine is started (fresh air mode).





 Press  or  to increase or decrease the fan speed. This sets the fan speed (fan speed shown on display). Refer also to Profiler regarding the possibility to increase/decrease the automatic fan speed.

### Air distribution





 When defroster is chosen, all the front windows are demisted:

- High fan speed
- The air is directed to the defroster vents
- Normal temperature control
- Recirculation OFF
- Rear window and door mirror heating ON.

The system will remain in defroster mode until the  or  button is pressed.

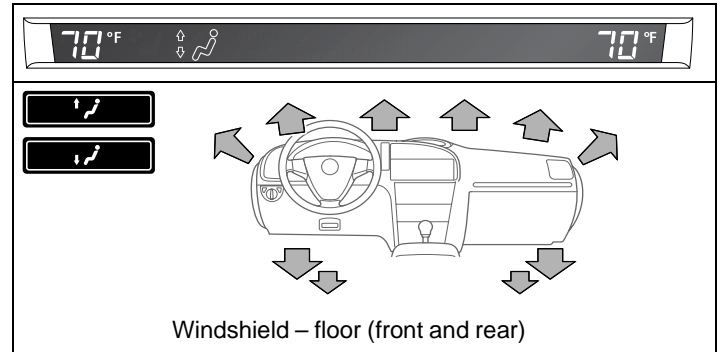
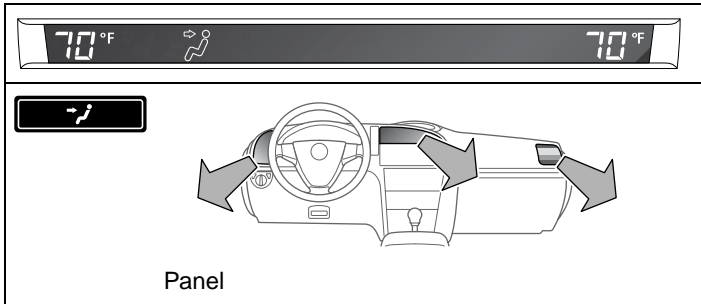
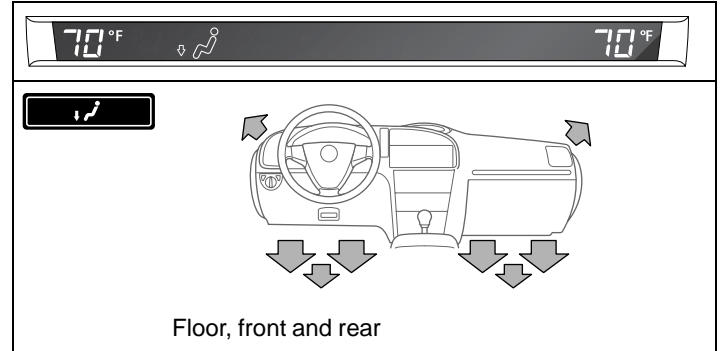
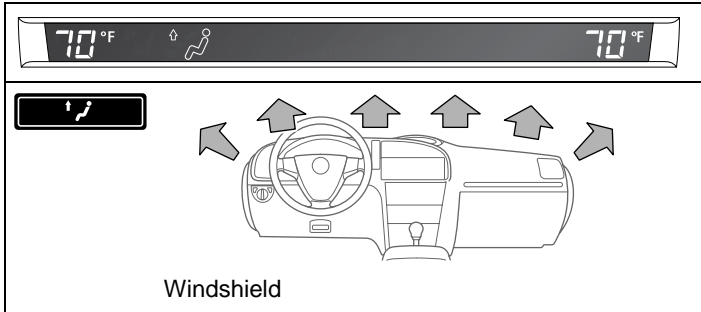
The following three buttons for air distribution can be selected individually or in combination. Press the button or selection of buttons to produce the airflow you desire. Pressing the same button twice will return the system to AUTO. You can also select automatic air distribution by pressing the AUTO button. Initial air distribution to take effect on starting the engine can be set under Profiler (see page 117).

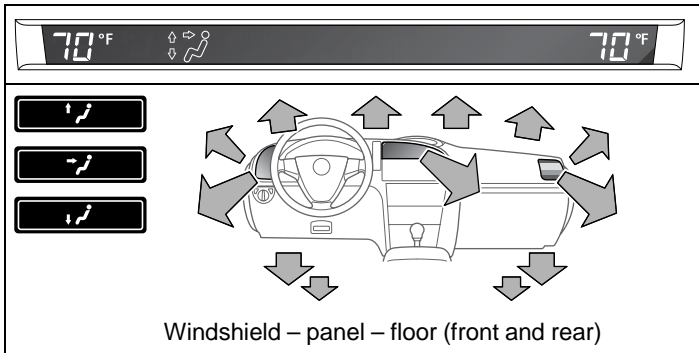
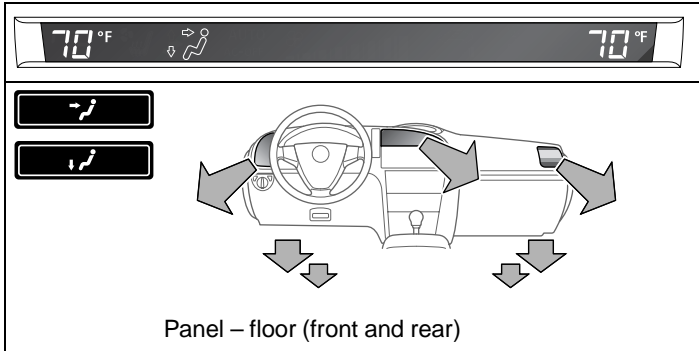
 Airflow to windshield vents.

 Airflow to facia air vents.

 Airflow to floor vents.

Shown below are several examples of air distribution.

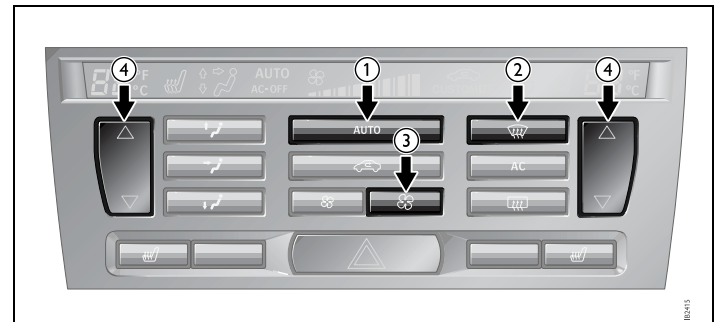




### Formation of ice and mist in extreme weather conditions

It is only in the most extreme conditions that icing and misting of window glass are likely to be a problem, such as in torrential rain or severe cold coupled with high relative humidity, or when passengers are perspiring heavily or wearing wet clothes. The following measures are recommended if such problems should occur:

- 1 Select **AUTO** and set the temperature to 70°F (21°C)
- 2 Select **Windshield**. If this is not enough...
- 3 Increase the fan speed. If this is not enough...
- 4 Select a higher temperature.






### Electric heating, front seats (option)

The seat cushions and backrests of the front seats are heated.

Heating is thermostatically controlled.

Heating is controlled manually but can also be automatic. Refer to Profiler on page 117.

Three heating levels are available. Pressing the button once will turn the heating on at full power. Pressing the button a total of 4 times will turn the heating off.

-  = full.
-  = medium.
-  = low.

### Calibration

Calibration is performed automatically every fifth time the car is started after having been switched off for more than 2 hours or if the battery has been disconnected.

### Programming

A number of functions can be customized under Profiler (see page 117). Further customizations can be made at a Saab dealer.

### Tips

(before contacting a Saab workshop)

- If you feel that the ACC system is not functioning satisfactorily, select "Default Settings" under Profiler (see page 117).
- To prevent the smell of washer fluid from entering the car, recirculation can be activated automatically while the windshield is washed. The recirculation symbol will however not light up. This function is optional; contact a Saab dealer. This automatic recirculation is the factory default setting as long as the system is working in full "AUTO" model with no customized settings.

## ACC- Convertible

When the soft top is folded, the ACC system switches to manual temperature control. There are eleven temperature settings: 0–10.

The system adjusts itself as follows:

- AUTO goes out.
- Heating, air distribution and fan speed are not affected.
- Recirculation and rear window heating are cut out.
- The A/C compressor is switched off (manual activation is possible by pressing the AC button).

All manual selections are possible with the exception of rear window heating.

When the soft top is raised, the system reverts to the AUTO mode and the previous set temperature.

**Note:** When the soft top or all the windows are open in a hot, humid climate, turning the air conditioning on manually can cause condensation to form on cold surfaces, such as the air ducts.



*ACC display when soft top folded*

## Profiler

Some of the functions of the ACC system can be customized.

- 1 Press the CUSTOMIZE button to go to Profiler.
- 2 Select Climate System using the INFO dial.
- 3 Press in the INFO dial.
- 4 Select Rear Defroster, Heated Seats, Fan Settings, Air Distribution, A/C Mode, Dual/Single Zone or Default Settings by turning the dial.
- 5 Confirm this selection by pressing the INFO dial.

Once you have adjusted the ACC system settings under Profiler, CUSTOMIZE will appear on the ACC display.

Climate System	
Rear Defroster	
Auto	
Manual	
Heated Seats	
Auto	
Manual	
Fan Settings	
High speed	
Medium speed	
Low speed	
Air Distribution	
Auto	
Manual	
Windshield	
Panel	
Floor	

A/C Mode	
Auto	
A/C off	
Dual/Single Zone	
Dual zone	
Single zone	
Default Settings	
Are you sure?	
Yes	No

Explanation of how the ACC system can be customized under Profiler.

**Rear Defroster**

Auto:

*The rear window and door mirror heating is controlled automatically. This is one of the Default Settings.*

Manual:

*The rear window and door mirror heating is switched on with the button on ACC panel.*

**Convertible:** The rear window heating cannot be turned on when the soft top is folded.

**Heated Seats**

Auto:

*The front seat heating is controlled automatically. Select the level by repeatedly pressing the appropriate button on the ACC panel: 2 arrows on symbol = standard; 3 arrows = high; 1 arrow = low. The selected heating setting is saved when the engine is switched off. Note: The symbol on the ACC panel goes out if the heating is turned off automatically by the system.*

Manual:

*See Electric heating, front seats (option) on page 116. This is one of the Default Settings.*



## Fan Settings

High speed:

*This selection give a slightly higher fan speed than Medium speed though with continued automatic regulation.*

Medium speed:

*Normal automatic fan speed. This is one of the Default Settings.*

Low speed:

*This selection give a slightly lower fan speed than Medium speed though with continued automatic regulation.*

**Convertible:** Fan speed is not regulated automatically when the soft top is open.

## Air Distribution

Auto:

*The ACC system adapts air temperature and distribution to the prevailing conditions. This is one of the Default Settings.*

Manual:

Windshield:

*The ACC system directs almost all air to the windshield.*

Panel:

*The ACC system directs almost all air to air vents in the fascia.*

Floor:

*The ACC system directs almost all air to the floor.*

## A/C Mode

Auto:

*Automatic engagement and disengagement of the A/C. This is one of the Default Settings.*

A/C off:

*A/C compressor OFF (see also page 111). The A/C compressor can be activated temporarily by pressing the AC or AUTO button while on the road and if the outside temperature is above 41°F (+5°C). The A/C will be off the next time the engine is started, if the engine has been switched off for more than 2 hours.*

**Convertible:** The A/C compressor is switched off when the soft top is folded down.

Further customizations to this function can be made at a Saab dealer.

- The A/C compressor can be on even when the soft top is folded down.
- The A/C compressor can be set to operate as when the soft top was last folded down.

## Dual/Single Zone

Dual zone:

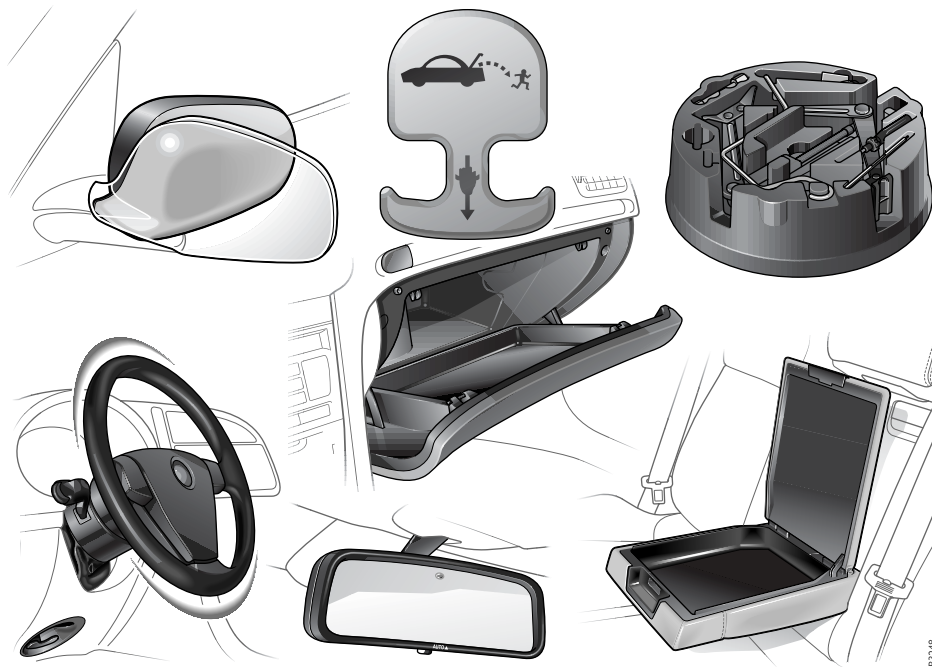
*Individual temperature setting for each zone (see page 109). The system saves the settings when the engine is switched off. This is one of the Default Settings.*

Single zone:

*Common temperature setting when the engine is started. If the temperature setting for the passenger zone is changed, the system will switch to Dual zone control. Single zone control will return the next time the engine is started having been switched off for more than 2 hours.*

(This page has been left blank.)

# Interior equipment



Steering wheel adjustment _____	122
Electric windows _____	123
Sunroof _____	126
Interior lighting _____	129
Cup holder _____	130
Power Outlet _____	132
Storage compartments _____	132
Rearview mirrors _____	134
Trunk _____	140

## Steering wheel adjustment

 **WARNING**

Only adjust the steering wheel while the car is stationary so that you are not distracted from the traffic.

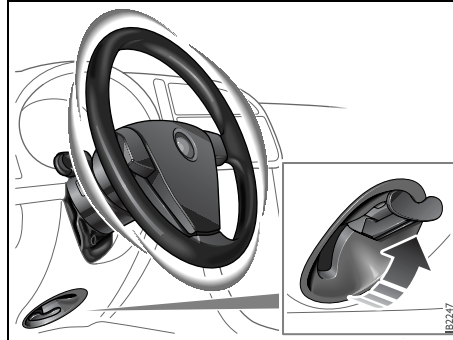
The height and reach of the steering wheel can be adjusted.

There is a release lever under the steering column.

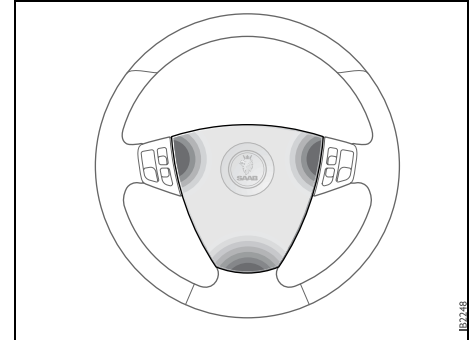
- 1 Pull down the lever to release the steering wheel.
- 2 Adjust the position of the steering wheel.
- 3 Raise the lever to the locked position to lock the steering wheel in position.

When returning the release lever to its locked position, you may need to adjust the position of the steering wheel slightly to allow the lock mechanism to engage correctly.

**Steering wheel lock**, see page 148.



*Lever for steering wheel adjustment*



### **Horn signal**

Activate the horn by pressing one of the three areas shown above on the steering wheel pad.

## Electric windows

### WARNING

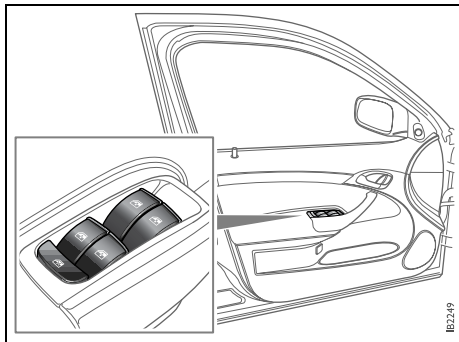
Bear in mind the pinch hazard when closing the side windows. May cause serious or fatal injuries!

- **Always** remove the remote control from the ignition switch when you leave the car. This will prevent personal injury caused by the activation of the electric windows, for example, due to children playing.
- The person operating the electric window is responsible for ensuring that no one, especially a child, has their head, hands or fingers in the window openings, before raising the window.
- Do not stick any part of the body or the head out through an open window while the car is moving.

The electric windows are operated by means of switches in the door armrests.

For the electric windows to work, the remote control must be in the ON position in the ignition switch.

At the end of a journey and having removed the remote control, you can still operate the windows, so long as neither of the front doors has been opened.



Window switches

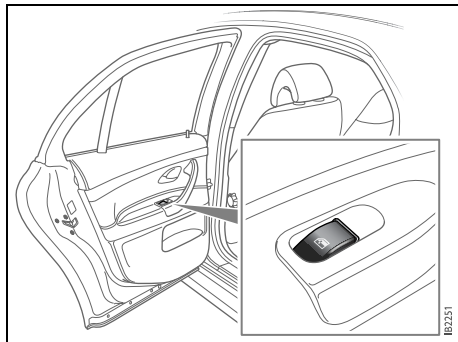
Windows having the automatic closing function (option) can be operated as long as the car is unlocked and until 20 minutes has passed since the remote control was removed from the ignition switch.

### To open

Press down the front edge of the button one step.

The window will stop when it is fully open or when the button is released.

**Automatic opening:** Press the button all the way down and release it.



Window switch in rear door

### Comfort opening (option, certain variants only)

Comfort opening is the remote opening of windows and the sunroof.

Press and hold the unlocking button on the remote control until the windows and optional sunroof start to open (approx. 2 s). During comfort opening of the windows, sunroof (option) and soft top, the range is reduced by approximately half.

**Convertible:** For the remote opening of the soft top, refer to page 58.

**To close****⚠ WARNING**

Take care when closing a window to ensure that no one gets caught.

Raise the front edge of the button one step. The window will stop when it is fully closed or when the button is released.

**Automatic closing (option, certain variants only):** Raise the button all the way and release it. If the window does not close automatically, refer to Calibration on page 125.


**Pinch protection (if equipped)**

On certain model variants, the electric windows are equipped with pinch protection. This is activated if something gets trapped between the window pane and door frame when the window is closed. The window will stop and lower slightly.

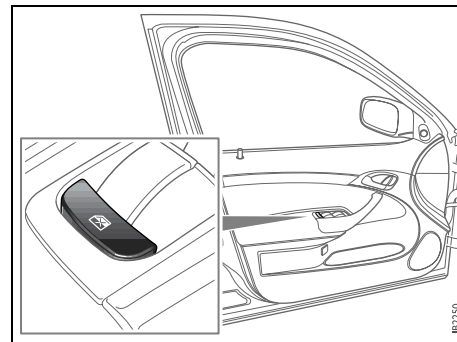
**Temporary overriding the pinch protection****⚠ WARNING**

Make sure nothing obstructs the window when it is closed without pinch protection.

If dirt, ice or similar create so much resistance that the pinch protection cuts in, the pinch protection can be temporarily disengaged and the window closed.

- 1 Make sure the ignition is ON.
- 2 Press and hold the  button on the driver's door while operating the window in question.
- 3 Close the window in question.

The pinch protection will be active the next time a window is operated.



*Button for temporary deactivation of rear door window switches and temporary override of window pinch protection*

## Calibration




The pinch protection will not be engaged after a power break until the electric windows have been calibrated.

After a loss of battery power, or if the automatic closing feature does not work, the electric windows must be calibrated for the pinch protection to work.

Fully open and close the windows at least twice. You will hear a chime after successful calibration.

## Deactivating the rear window switches

The  in the driver's door deactivates the window switches in the rear doors.

The illuminated switch will change color from green to orange (deactivated).

## Sunroof

(optional)

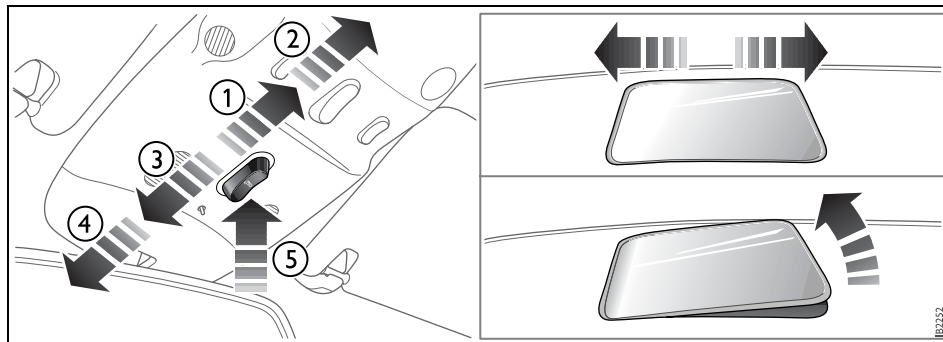
### WARNING

Bear in mind the pinch hazard when closing the electric sunroof. Risk of serious or fatal injuries!

- **Always** remove the remote control from the ignition switch when you leave the car. This will prevent personal injury caused by the activation of the electric sunroof, for example, due to children playing.
- The person operating the electric sunroof is responsible for ensuring that no one, especially a child, has their head, hands or fingers in the opening, before closing the sunroof.
- Do not stick any part of the body or the head out through an open window while the car is moving.

The sunroof is operated by the control in the roof console. For the sunroof to work, the remote control must be in the ON position in the ignition switch.

If the car is equipped with windows having the automatic closing function, the sunroof can be opened and closed so long as the car is unlocked until 20 minutes has passed since the remote control was removed from the ignition switch.



#### *Sunroof control*

- 1 Manually controlled opening
- 2 Automatic opening

- 3 Manually controlled closing
- 4 Automatic closing
- 5 Ventilation position

### To open

#### Manually controlled opening

Slide the control rearward to its first position. The sunroof will halt when you release the control. If you do not release the control, the sunroof will open to the comfort position. To open the sunroof further, release the control and then once again press it rearward.

#### Automatic opening

Slide the control rearward to the second position and release it. The sunroof will open to the comfort position. To open the sunroof further, slide the control rearward a second time.

### Sunroof without automatic opening

Slide the control rearward to position 1 (see illustration). The sunroof will stop when you release the control or once it is fully open.



## To close



Exercise great care when closing the sunroof to ensure that nothing gets trapped.

### Manually controlled closing

Slide the control forward to its first position. The sunroof will halt when you release the control.

### Automatic closing (certain variants only)

Slide the control forward to its second position and release it. The sunroof will close fully.

The sunroof pinch protection halts closing and opens the sunroof slightly if something obstructs closing.

### Sunroof without automatic closing

Slide the control forward to position 3 (see illustration). The sunroof will stop when you release the control or once it is fully closed.

### Ventilation position (rear edge of sunroof open)

- To open – press in the control.
- To close – slide the control forward to the second position.

It is also possible to select the ventilation position when the sunroof is open by pressing in the control. The sunroof will then close automatically. Press the control once more to open the sunroof to its ventilation position.

If you wish to open the sunroof fully from the ventilation position, you must first close it (slide the control forward). You can then slide the control rearward to open the sunroof.

The sunroof incorporates an interior, manual, sliding sun blind.

### Sunroof without automatic closing

- To open – press the control up.
- To close – slide the control forward to position 3.

### Comfort opening (option, certain variants only)

Comfort opening is the remote opening of windows and the sunroof.

Press and hold the unlocking button on the remote control until the windows and optional sunroof start to open (approx. 2 s).

During comfort opening of the windows, sunroof (option) and soft top, the range is reduced by approximately half.

If the sunroof is in the ventilation position, it will not open.

**Convertible:** For the remote opening of the soft top, refer to page 58.

## Pinch protection (if equipped)




**WARNING**

Make sure nothing obstructs the sunroof when it is closed without pinch protection.

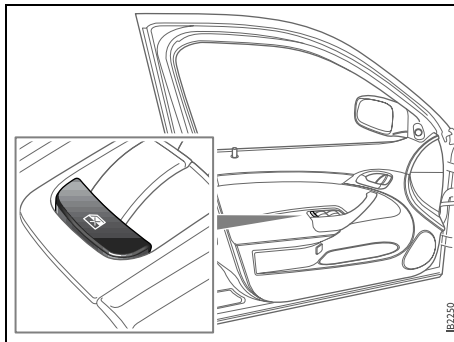
The sunroof is equipped with pinch protection. This is activated if something gets trapped when the sunroof is being closed. The sunroof will stop and open slightly.

### Temporary overriding the pinch protection

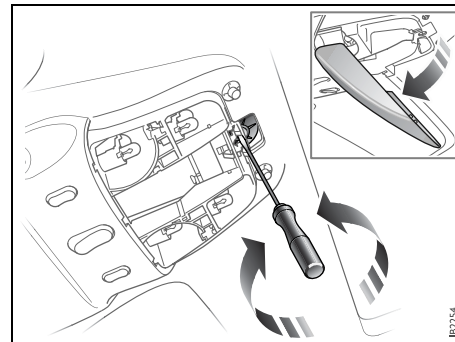
If dirt, ice or similar create so much resistance that the pinch protection cuts in (sunroof cannot be closed), the pinch protection can be temporarily disengaged.

- 1 Make sure the ignition is ON.
- 2 Press and hold the  button on the driver's door while operating the window in question.
- 3 Close the sunroof with the button on the roof console.

The pinch protection will be operative the next time the sunroof is operated.



*Button for overriding the sunroof pinch protection*



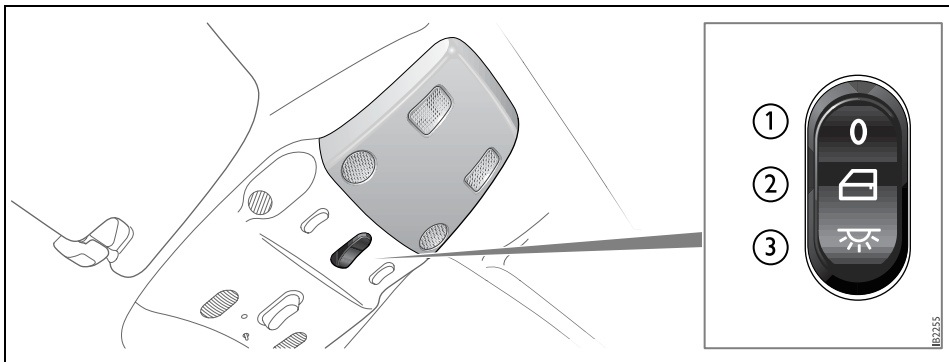
### Emergency operation of the sunroof

In an emergency, such as if there is an electrical failure, the sunroof can be operated with a screwdriver.

Remove the lens from the roof console. Use a screwdriver to press in the pin in the slot in the center of the motor shaft and turn the screwdriver.

Turn clockwise to close the sunroof when in ventilation position.

Turn counter-clockwise to close when in open position.



- 1 Interior lighting always off
- 2 Interior lighting controlled by the doors
- 3 Interior lighting on continuously

## Interior lighting

The interior lighting consists of one front and one rear roof light, floor lighting, and courtesy lights in the doors (certain variants only). The light switch for the interior lighting is located on the roof console by the rear-view mirror.

When the switch is in the mid-position (door-activated), the interior lighting will come on:

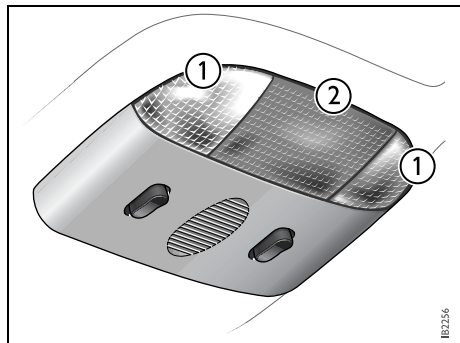
- When the car is unlocked.
- When a door is opened and the ignition is OFF.
- When the remote control is removed from the ignition switch.

The lighting goes out:

- When the car is locked.
- When the ignition is turned on.
- Approx. 20 s after closing all doors.

The lights are dimmed out gradually.

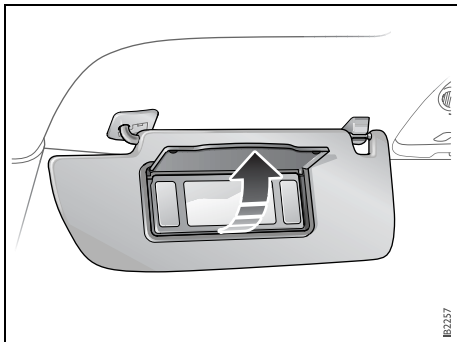
If a door is left open and the light switch is in position 2 or 3 and the ignition is OFF, the interior lighting will be switched off automatically after 20 minutes to save the battery.



### Rear lighting

- 1 Reading lights
- 2 Roof light

The glove box lighting is switched on and off automatically when the glove box is opened and closed.



*Sun visor with vanity mirror*

### Sun visor

Illuminated vanity mirrors are provided on the sun visors. The lighting comes on when the cover is raised.

### Trunk lighting

The trunk lighting is switched on and off when the trunk lid is opened and closed.

If the trunk lid is left open, the lighting will be switched off automatically after 20 minutes to prevent the battery from running flat.

### Cup holder

(option)

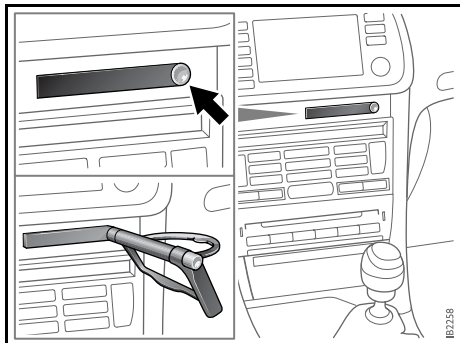
#### **WARNING**

- The cup holder should not be used to hold cups made of china or glass as these can cause personal injury in the event of a crash.
- Use only paper mugs, plastic bottles or aluminium cans.
- Avoid spillage, particularly of hot drinks.

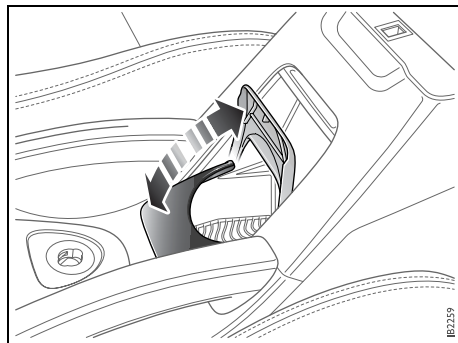
#### **NOTICE**

Take care not to spill any liquid on the audio system, the ignition switch or the like when using the cup holders. Soft drinks in particular can cause malfunctions.

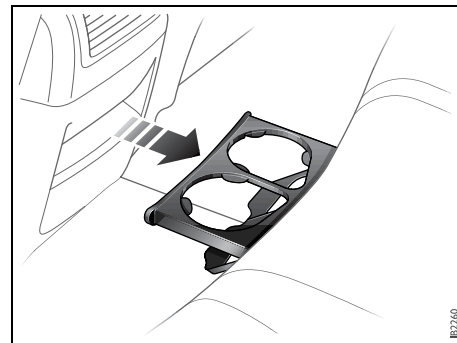
Cup holders are provided in the fascia, in the center console compartment between the front seats and rear seat cushion (Sport Sedan). The cup holder between the seats can be raised if you wish to use the compartment for storage.



*Cup holder in fascia*



*Cup holder in center console compartment between front seats (certain variants only)*



*Cup holder in rear seat cushion (Sport Sedan)*

## Power Outlet

(if equipped)

You can use the electrical socket in the storage compartment under the armrest between the front seats to charge a mobile phone, for example. There is a recess on each side of the compartment which will accept a lead so that you can close the lid without damaging the charger lead.

### WARNING

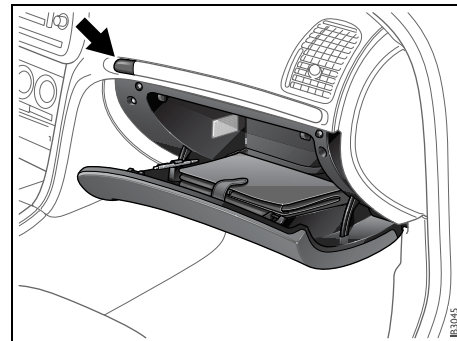
The maximum output of the cigarette lighter socket is 240 W (20 A). The rating of the socket in the compartment between the seats is the same. Overloading can result in melting or even fire.

## Storage compartments

### WARNING

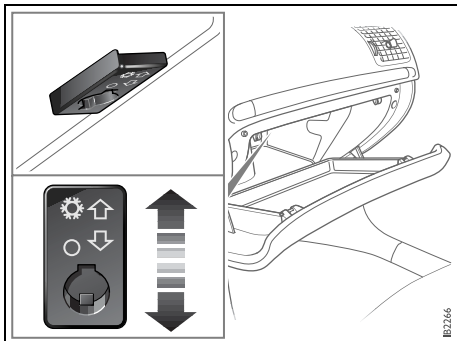
The glove box must be closed while travelling. An open glove box door could cause personal injury in the event of a crash.

There are additional storage compartments in the rear seat armrest, below the front ash-tray and in the doors.

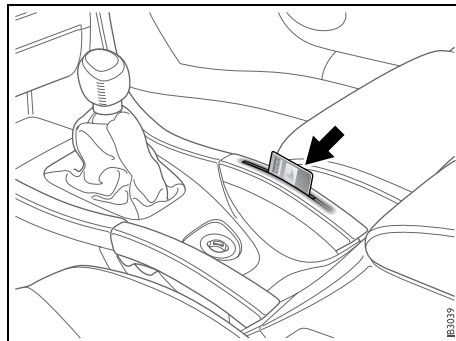


*Open the glove box with the button on the left of the moulding.*

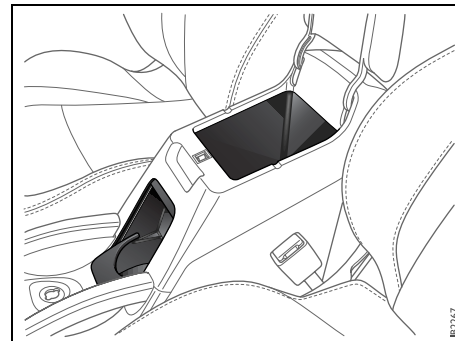
*Convertible has lockable glove box. Use the traditionally key, see page 48.*



*Sliding cover in glove box to admit cold air (cars with ACC only). This allows the storage of chocolate and chilled drinks, for example.*

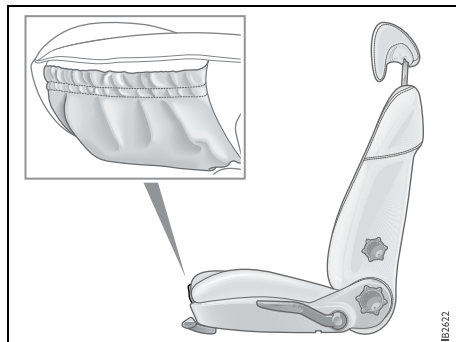


*Card holder*

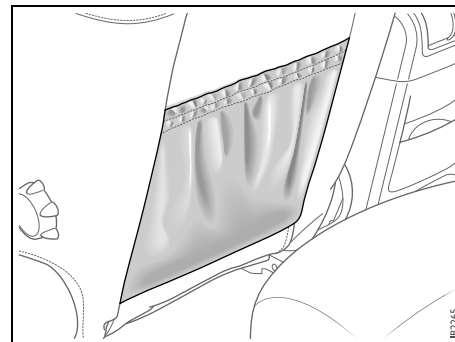


*Storage compartment between front seats*

*Storage pocket on front edge of seats*



*Storage pocket on back of seats*



## Rearview mirrors

### Door mirrors

#### To adjust

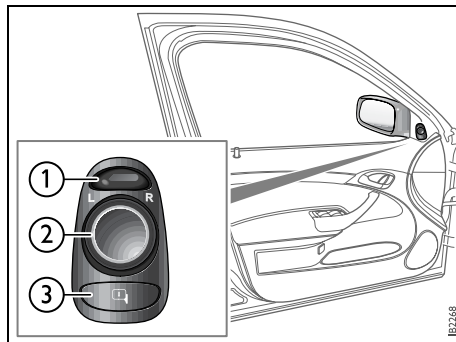
The door mirrors are electrically adjustable and heated. The controls for adjusting the mirrors are on the driver's door:

- 1 Select a door mirror with the upper button.
- 2 Adjust the mirror using the touch pad.

The mirror glass can also be adjusted manually by gently pressing the glass in the desired direction.

The mirror heating is turned on together with the rear window heating.

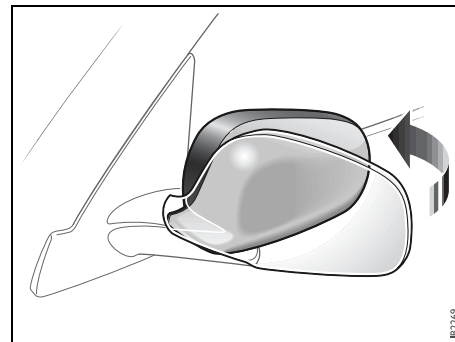
If the car has an electrically adjustable driver's seat with memory, the mirror settings are stored in the memory (see page 19).



- 1 Selection of mirror
- 2 Touch pad for adjustment
- 3 Reversing position (electric/optional)


#### Manual retraction

The door mirrors are designed to fold back if knocked. The mirrors can also be retracted manually. This can be useful when parking in tight spaces, such as on the car deck of a ferry. Remember to return the door mirrors to their normal positions before driving off.

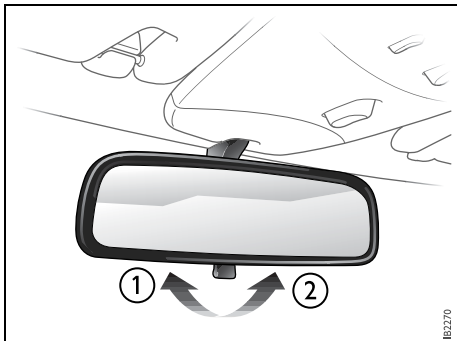


*Retracting a door mirror*

#### Reversing position

On certain model variants, the passenger-side mirror glass can be angled down to facilitate reversing. Press the  button shown in the illustration. This is located under the touch pad. Return the mirror to its normal position by pressing the button again. The mirror will also return to its normal position if you drive forward approximately 22 yds. (20 meters).





*Mirror position lever*

- 1 Normal position
- 2 Antidazzle position

### Interior rearview mirror

The interior rearview mirror is of the auto-dimming type and can be deflected with the lever on its underside. Certain variants have an autodimming rearview mirror.

The lever should be in the normal position when you adjust the mirror.

### Interior rearview mirror with autodimming (if equipped)

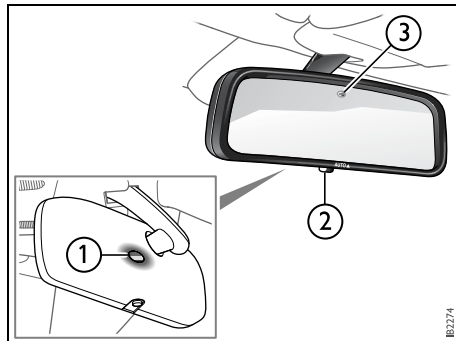
The system is activated when the forward-facing sensor detects that it is dark outside and the rear-facing sensor detects, for example, if the car following has not dimmed its headlights. The rearview mirror is then darkened to prevent the strong light source from dazzling the driver. This darkening is stepless.

The mirror returns to its normal state when the strong light source diminishes.

The autodimming function can be turned OFF with the switch on the lower edge of the rear-view mirror.

#### NOTE!

Towing a trailer can cause the system to malfunction, as the rear-facing sensor may be shaded by the trailer.



*Mirror with autodimming*

- 1 Forward-facing sensor
- 2 Autodimming ON/OFF
- 3 Rear-facing sensor

## Interior rearview mirror with garage opener, autodimming function and compass

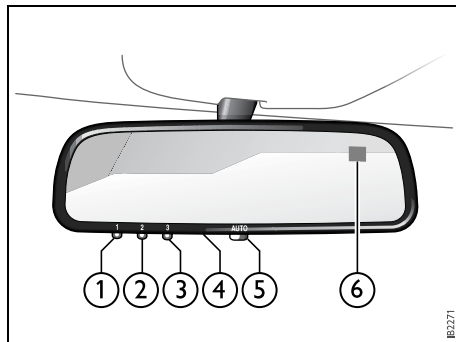
(if equipped)

### WARNING

Make sure that people and objects are out of the way of moving door or gate to prevent potential harm or damage.

When programming the garage opener, you may be operating a garage door or gate operator. Therefore it is advised to park outside of the garage.

Do not use the garage opener with any garage door opener that lacks the safety stop and reverse feature as required by federal safety standards. (This includes any garage door opener model manufactured before April 1, 1982.) A garage door opener which cannot detect an object, signaling the door to stop and reverse, does not meet current federal safety standards. Using a garage door opener without these features increases risk of serious injury or death.



*Buttons for garage opener, autodimming and compass*

- 1–3 Garage opener
- 4 LED
- 5 Autodimming/compass ON/OFF
- 6 Compass bearing

Retain your original garage door opener (transmitter) for future programming procedures (i.e., new vehicle purchase). It is also suggested that upon the sale of the vehicle, the programmed garage opener buttons be erased for security purposes, see page 138.

### Preparations for first-time programming

Before programming the garage opener for the first time, you must delete any factory codes.

Press and hold the two outer buttons until the indicator light begins to flash-after 20 seconds. Release both buttons. Do not hold for longer than 30 seconds. The garage opener is now in the train (or learning) mode and can be programmed at any time beginning with "Programming" - step 2.

### Programming

The garage opener can record and store the frequencies of three different remote controls.

The battery in the remote control should be fairly new for programming to work well.

**Do not repeat "Programming" - step two** to train additional devices to a second or third button. Begin with "Programming" - step three.

- 1 Turn the ignition ON.
- 2 Press and hold the two outer buttons (buttons one and three) - releasing only when the indicator light begins to flash (after 20 seconds). **Do not** hold the buttons for longer than 30 seconds and **do not repeat step two** to program a second and/or third hand-held transmitter to the remaining two buttons.
- 3 Position the end of your hand-held transmitter 1-3 inches (5-14 cm) away from the button you wish to program while keeping the indicator light in view.

The transmitter should face the mirror from below or left side of the mirror.

- 4 Simultaneously press and hold both the chosen and hand-held transmitter buttons. **Do not release the buttons until step 5 has been completed.**

**Note:** Some gate operators and garage door openers may require you to replace this Programming Step 4 with procedures noted in the "Gate Operator / Canadian Programming" section.

- 5 After the indicator light changes from a slow to a rapidly blinking light, release both the mirror and hand-held transmitter buttons.
- 6 Press and hold the just-trained button and observe the indicator light. If the indicator light **stays on constantly, programming is complete** and your device should activate when the button is pressed and released.

**Note:** To program the remaining two buttons, begin with "Programming" - **step three. Do not repeat step two.**

If the indicator light blinks **rapidly for two seconds and then turns to a constant light continue with "Programming" steps 7-9** to complete the programming of a rolling code equipped device (most commonly a garage door opener).

- 7 At the garage door opener receiver (motor-head unit) in the garage, locate the "learn" or "smart" button. This can *usually* be found where the hanging

antenna wire is attached to the motor-head unit.

- 8 Firmly press and release the "learn" or "smart" button. (The name and color of the button may vary by manufacturer.)

**Note:** There are 30 seconds in which to initiate step nine.

- 9 Return to the vehicle and firmly **press, hold for two seconds and release** the programmed button. Repeat the "**press/hold/release**" sequence a second time, and, depending on the brand of the garage door opener (or other rolling code equipped device), repeat this sequence a third time to complete the programming process. The garage opener should now activate your rolling code equipped device.

**Note:** To program the remaining two buttons, begin with "Programming" - **step three. Do not repeat step two.**

### Gate Operator / Canadian Programming

Canadian radio-frequency laws require transmitter signals to "time-out" (or quit) after several seconds of transmission - which may not be long enough for the garage opener to pick up the signal during programming. Similar to this Canadian law, some U.S. gate operators are designed to "time-out" in the same manner.

If you live in Canada or you are having difficulties programming a gate operator by using the "Programming" procedures (regardless of where you live), **replace "Programming" step 4** with the following:

**Note:** If programming a garage door opener or gate operator, it is advised to unplug the device during the "cycling" process to prevent possible overheating.

4 Continue to press and hold the button while you **press and release - every two seconds** ("cycle") your hand-held transmitter until the frequency signal has successfully been accepted by the garage opener. (The indicator light will flash slowly and then rapidly.)

Proceed with "Programming" step five to complete.

### NOTICE

Switch off the power supply to the garage door or gate (or park the car beyond the range of the remote control) while programming using the "cycling" method to prevent damaging the electrical motor.

### Reprogramming a single button

To program a device to the garage opener using a button previously trained, follow these steps:

- 1 Press and hold the desired button. **DO NOT** release the button.
- 2 The indicator light will begin to flash after 20 seconds. Without releasing the button, proceed with "Programming" - step 3.

### Erasing the three buttons

To erase programming from the three buttons (individual buttons cannot be erased but can be "reprogrammed" as outlined below), follow the step noted:

- Press and hold the two outer buttons until the indicator light begins to flash-after 20 seconds. Release both buttons. Do not hold for longer than 30 seconds. The garage opener is now in the train (or learning) mode and can be programmed at any time beginning with "Programming" - step 3.

### Opening a garage door

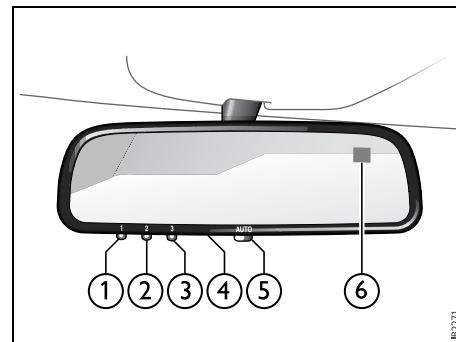
To operate, simply press and release the programmed button. Activation will now occur for the trained device (i.e. garage door opener, gate operator, security system, entry door lock, home/office lighting, etc.). For convenience, the hand-held transmitter of the device may also be used at any time.

This device complies with Part 15 of the FCC Rules. Operation is subject to the following two conditions: (1) this device may not cause harmful interference, and (2) must accept any interference received, including interference that may cause undesired operation.

Changes or modifications not expressly approved by the manufacturer could void the user's authority to operate the equipment.

Canada only:

This device complies with RSS-210 of Industry Canada. Operation is subject to the following two conditions: (1) this device may not cause interference, and (2) this device must accept any interference, including interference that may cause undesired operation of this device.



*Buttons for garage opener, autodimming and compass*

- 1–3 Garage opener
- 4 LED
- 5 Autodimming/compass ON/OFF
- 6 Compass bearing

### Autodimming

Press button 5 briefly to switch autodimming on or off. When autodimming is switched on, a 1 is displayed briefly in the compass window. A 0 indicates that autodimming is switched off. See page 135 for a description of operation.

### Compass

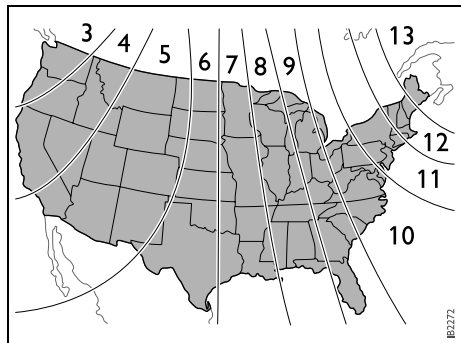
The compass is built into the rearview mirror. The compass bearing is displayed in the top right-hand corner of the mirror and is updated every other second. The compass displays the car's direction of travel: N, NE, E, etc.

Switch the compass display on and off by pressing button 5 for 3 seconds, see illustration on page 138.

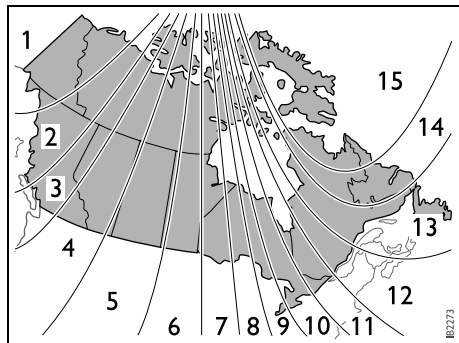
### Changing zones

The earth's magnetic field varies depending on one's position on the globe. If you drive your car from one magnetic zone to another the compass setting will need to be changed to ensure a correct bearing.

- 1 Study the illustrations to determine the correct zone.
- 2 Press and hold button 5 until "ZONE" is shown in the display on the mirror (6 s). The zone number is now also shown.
- 3 Press button 5 repeatedly to change the zone number. There are 15 zones from which to choose. Once the correct zone is selected, release the button and wait 4 seconds. The compass will now display the bearing.



Compass zones in USA



Compass zones in Canada

### Calibration

Calibration is performed automatically during travel.

If, for any reason, a manual calibration is needed perform as follows:

- 1 Press and hold button 5 until "CAL" and the compass bearing are displayed (approx. 9 s).
- 2 Drive in circles (max. 5 mph/8 km/h) or drive as normal until "CAL" is no longer displayed.

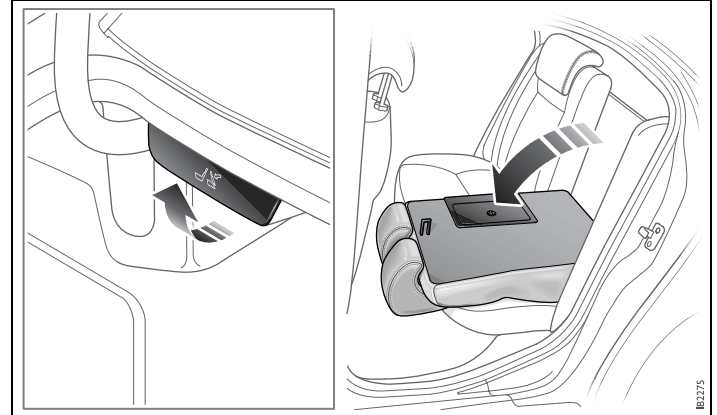
## Trunk

### Folding down the rear seat, Sport Sedan

**Convertible:** The rear seat cannot be folded.

 **WARNING**

- Never drive the car if the backrest is not correctly locked into position as this increases the risk of personal injury in the event of heavy braking or a crash.
- Never leave a child or animal unattended in the car. During sunny weather the temperature in the passenger and trunk can climb to 160–180°F (70–80°C). Small children are very susceptible to heat stroke.
- Keep hands well clear of all moving parts.
- Never place heavy objects on the parcel shelf. There is always a danger of loose objects being thrown forward and causing injury if the car should brake suddenly or be involved in a crash. See also page 189.



- When folding the backrest back upright, make sure that it is locked correctly on both sides. This is imperative since the center safety belt is mounted in the backrest.
- When folding the backrest back upright, make sure that it is locked correctly on both sides. This is imperative since otherwise objects in the trunk could force their way into the cabin during heavy braking or a crash.
- Adjust the head restraints for the rear seats to be occupied to a suitable height before riding in the car.

For greater flexibility, the rear seat is split so that the narrow and the wide part can be folded down separately.

Next to the hinges in the trunk are handles for unlocking the rear seat backrests.

The operation is easier if the front seats are not too far back and the rear seat head restraints are fully lowered.

- 1 Unlock the backrest by pulling the appropriate handle in the trunk.
- 2 Fold the backrest forward.

**Note:** When returning the backrest to its upright position, make sure that it locks properly in place and that the safety belt does not get caught.

If the left-hand backrest is not properly locked in position, the following message is displayed on the SID (equivalent message displayed for right-hand backrest):



Rear left seat backrest  
unlocked.

**Trunk Release Handle, see page 143.**

**Emergency opening of the narrow backrest, see page 144.**

### Load-through hatch, Sport Sedan

**Convertible:** There is no load-through hatch.

 **WARNING**

- Always secure the load firmly, for example using the middle safety belt. This reduces the danger of personal injury resulting from the displacement of the load on hard braking or in the event of a crash.
- Do not exceed the load capacity of the car, as this will alter its handling characteristics (see page 268).

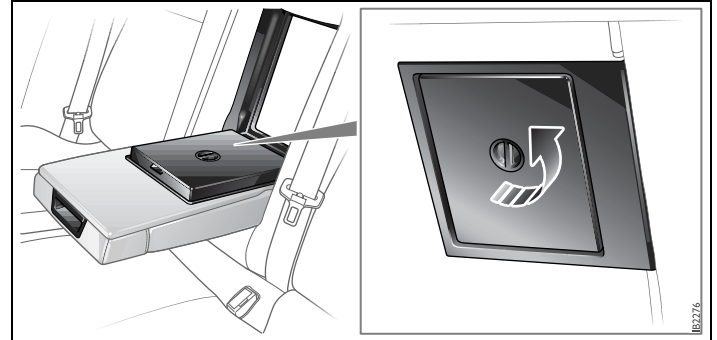
A load-through hatch is incorporated in the rear seat backrest to enable long, narrow items to be carried inside the car.

Before loading or unloading long items, switch off the engine and apply the parking brake. This avoids the danger of the car moving off if a long item were to knock the gear or selector lever into gear.

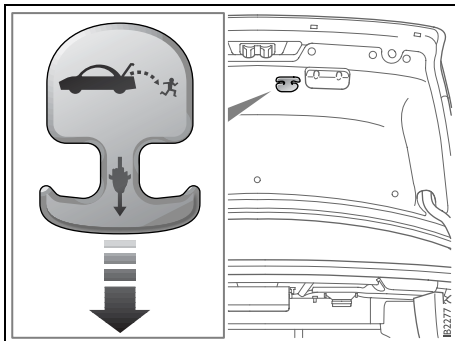
- Fold down the armrest and open the hatch by lifting the handle. There is a lock on the rear side of the hatch. Use this to lock or unlock the hatch. The position of the lock is designed to prevent unauthorized persons from accessing the trunk from inside the cabin.

**To lock:** Open the hatch and lock the lock. Close the hatch. The hatch is now locked.

**To unlock:** Fold down the wide section of the backrest and unlock the lock. Alternatively, you can unlock the hatch from the trunk.







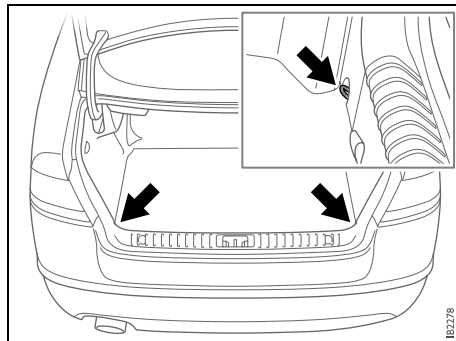
*Trunk Release Handle*

## Trunk Release Handle

There is a glow-in-the-dark trunk release handle located inside the trunk on the latch. This handle will glow following exposure to light. Pull the release handle down to open the trunk from inside.

### NOTICE

The trunk release handle was not designed to be used to tie down the trunk lid or as an anchor point when securing items in the trunk. Improper use of the trunk release could damage it.



*Tie down eyes in the trunk*

## Tie down eyes

There are tie down eyes in the trunk that should be used to secure loads. In general, loads should be placed as far forward and as low down as possible in the trunk.

### WARNING

- Lay heavy bags on the floor. Place smaller and lighter bags on top.
- Secure heavy and bulky items using the lashing eyes provided in the trunk. This will avert the danger of luggage flying around if the car should brake suddenly or be involved in a crash.

- Secure small items if the backrest is folded down. Small items can also be thrown around inside the car and cause personal injury.
- The elastic cargo net (accessory) is only designed for light objects that are to be kept in place while driving
- Elastic cargo net (accessory): **WARNING.** Avoid eye injury. **DO NOT** overstretch. **ALWAYS** keep face and body out of recoil path. **DO NOT** use when strap has visible signs of wear or damage.
- The rear seat must be in the upright position to protect against load displacement in the event of a crash.
- Do not exceed the load capacity of the car, as this will alter its handling characteristics (see page 268).
- Match your speed and driving style to how the car is loaded. The handling characteristics of the car can be affected since a load in the trunk will alter the car's center of gravity.

### Trunk lighting

On the underside of the parcel shelf is a light that is switched on and off when the trunk is opened and closed.

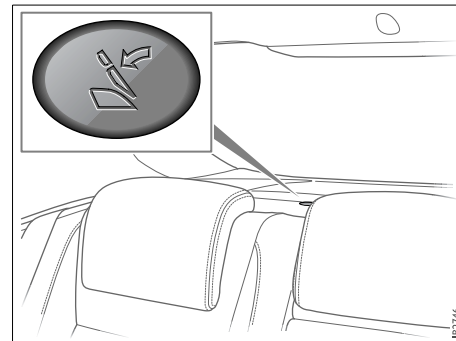
If the trunk lid is left open, the lighting will be switched off automatically after 20 minutes to prevent the battery from running flat.

### Emergency opening of the narrow backrest

The narrow section of the backrest can be opened in an emergency if the car is without electricity (not possible to open trunk lid) and you need to access the trunk for a warning triangle, for example.

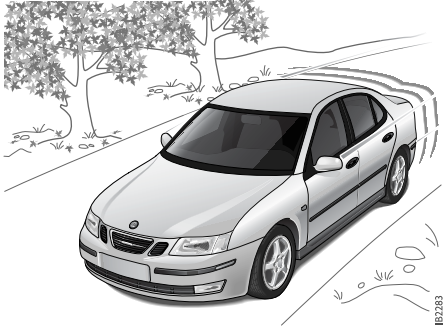
- Remove the cover and depress the yellow lever forward.

**Tools and spare wheel, see page 246.**



*Cover over emergency opening lever, on parcel shelf*

# Starting and driving



<b>Ignition switch _____</b>	<b>146</b>	<b>Economical driving _____</b>	<b>179</b>
<b>Steering wheel lock _____</b>	<b>148</b>	<b>Driving in cold weather _____</b>	<b>181</b>
<b>Starting the engine _____</b>	<b>148</b>	<b>Driving in hot climates _____</b>	<b>183</b>
<b>Important considerations for driving _____</b>	<b>150</b>	<b>Towing a trailer _____</b>	<b>184</b>
<b>Refueling _____</b>	<b>153</b>	<b>Driving with a roof rack load _____</b>	<b>188</b>
<b>Engine Break-in Period _____</b>	<b>157</b>	<b>Driving with a load _____</b>	<b>189</b>
<b>Manual transmission _____</b>	<b>158</b>	<b>Driving with the trunk lid open _____</b>	<b>189</b>
<b>Automatic transmission _____</b>	<b>159</b>	<b>Driving in deep water _____</b>	<b>189</b>
<b>Cruise control _____</b>	<b>165</b>	<b>Driving at night _____</b>	<b>190</b>
<b>Braking _____</b>	<b>166</b>	<b>Towing the car _____</b>	<b>190</b>
<b>Traction Control System (TCS) _____</b>	<b>169</b>	<b>Driving with the compact spare tire _____</b>	<b>193</b>
<b>Electronic Stability Program (ESP) _____</b>	<b>171</b>	<b>Jump starting _____</b>	<b>193</b>
<b>Parking brake _____</b>	<b>173</b>	<b>For long trips _____</b>	<b>196</b>
<b>Parking _____</b>	<b>173</b>		
<b>Saab Parking Assistance _____</b>	<b>176</b>		

## Ignition switch

The ignition switch is located on the center console between the front seats. In cars with automatic transmission, the remote control can only be removed when the selector lever is in position P.

### NOTICE





Take care not to spill drinks or to drop crumbs over the ignition switch. If dirt or liquid gets into it, the switch may not operate properly.

If snow from clothing falls into the ignition switch and melts, the ignition switch can seize (freeze). Brush snow off clothing before getting into the car.



### WARNING

- Always remove the remote control before leaving children unattended in the car.
- Apply the parking brake before removing the remote control.
- Never remove the remote control while the car is moving. This will activate the steering wheel lock and make it impossible to steer the car.

	<p><b>LOCK position</b> The parking lights, hazard warning lights and interior lighting can be turned on.</p> <p><b>Cars with automatic transmission:</b> Move the gear lever to P. The gear lever is locked in position. This is the only position in which the remote control can be removed.</p> <p><b>Cars with manual transmission:</b> The remote control can be removed regardless of the position of the gear lever.</p>
	<p><b>OFF position</b> Parts of the electrical system are operative.</p> <p><b>Do not leave the remote control in the OFF position with the engine not running as this could cause the battery to run flat in a matter of hours.</b></p> <p><b>Cars with automatic transmission:</b> The gear lever is not locked. See also page 160.</p>
	<p><b>ON position</b> The entire electrical system is operative.</p> <p><b>Do not leave the remote control in the ON position when the engine is not running.</b></p> <p>Turn the remote control to the OFF position to disconnect the electrical system.</p> <p>When you turn the remote control to ON, some indicator and warning lights will come on in the main instrument panel. These should go out after about 3 seconds.</p>
	<p><b>ST - starter position</b> The starter motor operates (automatic transmission: selector lever must be in P or N) when the remote control is turned to this position. When released, the remote control will spring back to the ON position.</p> <p>The car has an electronic restart lock. If the engine fails to start, the remote control must first be turned back to a position between OFF and LOCK before the starter motor can be operated again.</p>

To allow the various systems in the car time to register that the remote control has been inserted into the ignition switch, do not turn the remote control for roughly half a second.

## Steering wheel lock

The steering wheel lock is electronic. The lock engages when the remote control is removed from the ignition and unlocks when the remote control is inserted. A click can be heard when the steering wheel lock locks and unlocks.

If the car is parked with one front wheel touching the curb, for example, you may need to turn the steering wheel slightly when you insert the remote control to allow the steering wheel lock to unlock. If you do not succeed on first attempt you must remove the remote control before trying again. Turn the steering wheel and insert the remote control into the ignition switch. If the steering wheel lock does not disengage it will not be possible to turn the remote control in the ignition switch.

The following message is shown on the SID:



Steering wheel locked.  
Pull out key, turn steering wheel. Try again.

If a fault arises affecting the steering wheel lock, the following message will be displayed on the SID:



Steering lock malfunc.  
Make a safe stop.  
Contact Saab dealer.

If the steering wheel lock malfunctions while the remote control is in the ignition switch, this may prevent the removal of the remote control or prevent the car from being restarted once the engine has been switched off.

If you have to leave the car, lock the car by pressing down the lock buttons on the doors. Lock the front left door from outside with the traditional key (see page 44). The car is now locked but the alarm is inactive.

## Starting the engine



**WARNING**

- When starting the engine:
  - Sit down in the driver's seat.
  - Depress the clutch pedal fully (M/T). If the gear lever is not in the neutral position, the clutch pedal must be fully depressed or the car will jump forwards or backwards, which may cause a crash.
  - Never start the car from outside the vehicle, e.g. through a window that is down. This could lead to serious personal injury.
- Cars with automatic transmission: select position P to remove the ignition key. The key can only be removed in this gear position.
- Carbon monoxide (CO) is a colorless, odorless, poisonous gas. Be alert to the danger of CO – always open the garage doors before starting the engine in the garage.
- Do not rest or sleep in the car when parked with the engine running. There is a risk of depressing the accelerator which could lead to engine damage.
- There is also a danger of CO poisoning if the exhaust system is leaking.

## Starting the engine

Avoid racing the engine or loading it heavily before it has warmed up. Do not drive away before the warning and indicator lights have gone out.

The engine has an automatic choke and should be started as follows:

### Cars with manual transmission

**To start the engine the clutch pedal must be fully depressed.**

- 1 Make sure the parking brake is applied.
- 2 Depress the clutch pedal but do not touch the accelerator.
- 3 Start the engine. Let the remote control spring back as soon as the engine has started and is running smoothly.

Allow the engine to idle for about 10 seconds. Do not apply full throttle for at least 3 minutes after starting.

### Cars with automatic transmission

**The selector lever must be in the P or N position.**

- 1 The selector lever must be in the P or N position.
- 2 Keep your foot on the brake pedal.  
**Note!** Once the engine has started, the brake pedal will sink. This is perfectly normal.
- 3 Start the engine. Let the remote control spring back as soon as the engine has started and is running smoothly.

Allow the engine to idle for about 10 seconds. Do not apply full throttle for at least 3 minutes after starting.

## Useful tips on starting the engine

If the engine has failed to start after several attempts in very cold weather, proceed as follows:

- 1 Turn the ignition switch to ON (it is essential that you turn the ignition to ON before depressing the accelerator).
- 2 Press the accelerator to the floor and run the starter motor for 5-10 seconds. This will prevent the engine being flooded (fully depressed accelerator cuts off the fuel supply).
- 3 Now start the engine in the normal way - do not touch the accelerator.

If the engine stalls immediately after starting (e.g. if the clutch was released too quickly), do not touch the accelerator when restarting the engine.

## Important considerations for driving

### 1 Starting and driving

- Do not use full throttle until the engine is warm, so as to avoid unnecessary wear. If the needle of the turbo gauge repeatedly enters the red zone, the engine may suddenly lose power, due to the initiation of a monitoring system that limits the boost pressure. Contact a Saab dealer as soon as possible.
- Under certain barometric conditions (high outside temperature and/or high altitude) the needle may enter the first part of the red zone without necessarily indicating that a fault has arisen.
- A protective function (interruption of the fuel supply) limits the engine speed.

### 2 Stopping the engine

- Do not rev the engine immediately before switching it off - stop the engine when it is idling.

### 3 Regulating the boost pressure

- One of the advantages of boost pressure regulation is that the engine can also be run safely on gasoline with a lower octane rating, although not lower than AON 87. However, engine performance will fall slightly and heavy loading and laboring should be avoided. For optimum performance, use the recommended grade of fuel.
- The maximum boost pressure is regulated according to the tendency of the engine to knock. Short-lived knocking is perfectly normal. This can occur when the engine is running at about 3,000 rpm under a heavy load. The extent of this knocking will depend on the grade of fuel in the tank.
- Isolated instances of knocking can occur with low-octane fuel. This controlled form of knocking, followed by a reduction in the boost pressure, is a sign that the control system is working normally, and is perfectly safe for the engine.

### NOTICE


- If the engine sounds strange there is a malfunction. Contact a Saab dealer immediately.
- The use of fuel with too low an octane rating can cause serious engine damage.

### Limp-home


The engine management system has a diagnostic feature that checks a number of internal functions. If a fault is detected in the throttle valve, the engine management system will set the throttle system to the limp-home mode. This means:

- idling control will be poor (uneven idling since regulated by ignition and fuel supply)
- engine performance will be reduced
- the cruise control will not function
- the capacity of the A/C compressor will be limited.



If the diagnosis function detects a fault in the engine management system, the  light "Engine malfunction (CHECK ENGINE)" in the instrument panel will come on (see page 79). Have the car checked at a Saab dealer as soon as possible.

### NOTICE

If  "Engine malfunction (CHECK ENGINE)" warning light starts to flash (indicating that the engine is misfiring and the catalytic converter can be damaged), ease off the accelerator slightly. The light should go out or start to shine constantly. If the light continues to flash despite easing off the accelerator, you may continue to drive the car but at the minimum throttle permitted by the current traffic situation. Have the car checked as soon as possible at a Saab dealer.

### Important considerations with catalytic converters

The catalytic converter is an emission control device incorporated in the car's exhaust system. It consists of a metal canister with a honeycomb insert, the cells of which have walls coated in a catalytic layer (precious metal alloy).

### NOTICE

Use only unleaded gasoline. Leaded gasoline is detrimental to the catalyst and oxygen sensor and will seriously impair the function of the catalytic converter.

To ensure that the catalytic converter continues to function properly, and also to avoid damage to the converter and its associated components, the following points must be observed:

- Have the car serviced regularly in accordance with the service program.
- Always be alert to any misfiring of the engine (not running on all cylinders) and any loss of power or performance. At the first sign of a malfunction, reduce speed and take the car to a Saab dealer.
- If the engine fails to start (in severe cold or if the battery is flat), the car can be bump started (manual transmission only) or started using jump leads to a donor battery. However, as soon as you have started the engine, it is important that it runs on all cylinders. If it is misfiring, allow it to idle for up to 5 minutes to give it time to settle and run smoothly. If, after this time, the engine still fails to run properly, switch off the engine to avoid serious damage to the catalytic converter. Contact a Saab dealer for advice.

- Never park the car on dry grass or other combustible material. The catalytic converter gets very hot and could therefore start a fire.
- Never drive off if the engine is misfiring.
- If you bump start the car when the engine is already at normal working temperature, the engine must start to run on all cylinders. Abort bump starting if the engine fails to start immediately.

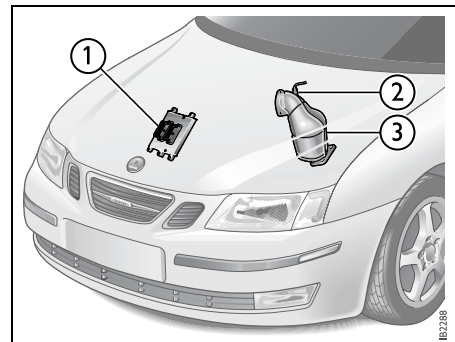
Failure to strictly follow these instructions can result in damage to the catalytic converter and associated components, and could represent a breach of the warranty conditions.

### NOTICE

If the car runs out of gas, air may be drawn in with the fuel, which, in turn, can cause the catalytic converter to be damaged by overheating.

### WARNING

If the engine is being run with the car on a rolling road or dynamometer, to ensure adequate cooling, air must be blown into the engine compartment and under the car at a rate equivalent to the ram-air effect that would obtain at the corresponding road speed.



*Engine management system with catalytic converter*

- 1 Engine control module
- 2 Oxygen sensor
- 3 Catalytic converter

## Refueling

### WARNING

If you spill fuel and then something ignites it, you could be badly burned. Fuel can spray out on you if you open the fuel cap too quickly. This spray can happen if your tank is nearly full, and is more likely in hot weather. Open the fuel cap slowly and wait for any “hiss” noise to stop. Then unscrew the cap all the way.

Gasoline fumes are highly explosive. Therefore:

- **never** smoke while refueling
- **never** use gasoline for any purpose other than as engine fuel
- gasoline is extremely flammable and can cause severe burns. No open or exposed flames near gasoline
- **do not** use a mobile phone at the same time as refueling

### NOTICE

- Do not overfill. Fuel should not come right up the filler pipe as room for expansion is needed for when the temperature rises.
- The use of fuel with too low an octane rating can cause serious engine damage.
- Clean fuel from painted surfaces as soon as possible.

### NOTICE

The engine control module (ECM) monitoring the engine parameters also stores fault codes.

Under certain circumstances, this may cause constant illumination of the Engine malfunction (CHECK ENGINE) lamp



, thus indicating a fault that must be checked by your Saab dealer, see page 79.

NOTE: always observe the following two measures:

- Make sure that the fuel filler cap is screwed on correctly before the engine is started. Screw on the fuel filler cap until you hear a distinct click.
- Avoid driving with the fuel low level indicator illuminated. The symbol illuminates when less than approximately 2.5 gallons (10 litres) of fuel remains in the tank.

## Refueling

### WARNING

If a fire starts while you are refueling, do not remove the nozzle. Shut off the flow of fuel by shutting off the pump or by notifying the station attendant. Leave the area immediately.

- 1 Switch off the engine.
- 2 Open the filler cap, located in the right-hand rear fender.
- 3 Insert the fuel pump nozzle beyond the flange on the filler pipe and let the first mark (a ring, a pimple or the first spring-coil) rest on the flange. Do not withdraw the nozzle while filling is in progress.
- 4 Cease refueling the first time the pump stops, and wait a few seconds after you've finished pumping before you remove the nozzle.

Manually opening the fuel filler door, Convertible, see page 74.

### NOTICE

Do not overfill. Fuel should not come right up the filler pipe as expansion room is needed when the temperature rises.

- Fill to maximum filling capacity.
- Stop filling after the first time that the nozzle trips to shut off the flow of fuel.
- Filling capacity can differ between different fuel stations and outside temperature. Fuel tank volume when nozzle trips to shut off, may vary by 0.5 gal. (2 liters).
- Do not fill fuel all the way up the filler pipe. The gasoline must be allowed room for expansion especially during hot weather.



*Filler cap*

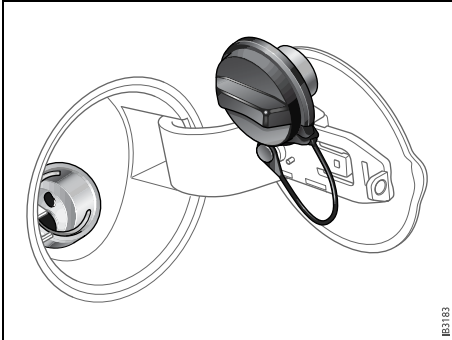
### Filler cap

To remove the filler cap, turn it slowly to the left (counterclockwise). The filler cap has a spring in it; if you let go of the cap too soon, it will spring back to the right.

When you put the filler cap back on, turn it to the right (clockwise) until you hear **three** clicks. Make sure you fully install the cap.

The most effective way to prevent condensation forming in the tank (and thus avoid possible running problems) is to keep the tank full.

Refer to page 181 for information regarding gasoline anti-freeze.



*When refueling, hang the filler cap inside the fuel door*

The fuel door has a built in filler cap holder slot located on the fuel door. Slide the white ring on the cap into the slot.

**Notice:** If you need a new fuel cap, be sure to get the right type. Your dealer can get one for you. If you get the wrong type, it may not fit properly.

## Filling a portable fuel container

### **WARNING**

Never fill a portable fuel container while it is in your vehicle. Static electricity discharge from the container can ignite the gasoline vapor. You can be badly burned and your vehicle damaged if this occurs. To help avoid injury to you and others:

- Dispense gasoline only into approved containers.
- Do not fill a container while it is inside a vehicle, in a vehicle's trunk, pickup bed or on any surface other than the ground.
- Bring the fill nozzle in contact with the inside of the fill opening before operating the nozzle. Contact should be maintained until the filling is complete.
- Do not smoke while pumping gasoline.

## Fuel (Gasoline Engine)

### Fuel

Use of the recommended fuel is an important part of the proper maintenance of your vehicle.

For optimum performance Saab recommends:

- **2.0t 175 hp – AON 90.**
- **2.0T 210 hp – AON 90.**

### Gasoline Octane

Use regular unleaded gasoline with a posted octane of 87 or higher. If the octane is less than 87, you may get a heavy knocking noise when you drive. If this occurs, use a gasoline rated at 87 octane or higher as soon as possible. Otherwise, you might damage your engine. A little pinging noise when you accelerate or drive uphill is considered normal. This does not indicate a problem exists or that a higher-octane fuel is necessary. If you are using 87 octane or higher-octane fuel and hear heavy knocking, your engine needs service.

### Gasoline Specifications

It is recommended that gasoline meet specifications which were developed by automobile manufacturers around the world and contained in the World-Wide Fuel Charter which is available from the Alliance of Automobile Manufacturers at [www.autoalliance.org/fuel\\_charter.htm](http://www.autoalliance.org/fuel_charter.htm). Gasoline meeting these specifications could provide improved driveability and emission control system performance compared to other gasoline.

### California Fuel

If your vehicle is certified to meet California Emission Standards (see the underhood emission control label), it is designed to operate on fuels that meet California specifications. If this fuel is not available in states adopting California emissions standards, your vehicle will operate satisfactorily on fuels meeting federal specifications, but emission control system performance may be affected. The malfunction indicator lamp may turn on and your vehicle may fail a smog-check test. See Engine malfunction (CHECK ENGINE) on page 79. If this occurs, return to your authorized Saab dealer for diagnosis. If it is determined that the condition is caused by the type of fuel used, repairs may not be covered by your warranty.

### Additives

To provide cleaner air, all gasolines in the United States are now required to contain additives that will help prevent engine and fuel system deposits from forming, allowing your emission control system to work properly. You should not have to add anything to your fuel. However, some gasolines contain only the minimum amount of additive required to meet U.S. Environmental Protection Agency regulations. Saab recommends that you buy gasolines that are advertised to help keep fuel injectors and intake valves clean. If your vehicle experiences problems due to dirty injectors or valves, try a different brand of gasoline.

Gasolines containing oxygenates, such as ethers and ethanol, and reformulated gasolines may be available in your area to contribute to clean air. Saab recommends that you use these gasolines, particularly if they comply with the specifications described earlier.

**Notice: Your vehicle was not designed for fuel that contains methanol. Do not use fuel containing methanol. It can corrode metal parts in your fuel system and also damage the plastic and rubber parts. That damage would not be covered under your warranty.**

Some gasolines that are not reformulated for low emissions may contain an octane-enhancing additive called methylcyclopentadienyl manganese tricarbonyl (MMT); ask the attendant where you buy gasoline

whether the fuel contains MMT. Saab does not recommend the use of such gasolines. Fuels containing MMT can reduce the life of spark plugs and the performance of the emission control system may be affected. The malfunction indicator lamp may turn on. If this occurs, return to your authorized Saab dealer for service.

### **Fuels in Foreign Countries**

If you plan on driving in another country outside the United States or Canada, the proper fuel may be hard to find. Never use leaded gasoline or any other fuel not recommended in the previous text on fuel. Costly repairs caused by use of improper fuel would not be covered by your warranty.

To check the fuel availability, ask an auto club, or contact a major oil company that does business in the country where you will be driving.

## **Engine Break-in Period**

Pistons, cylinder bores and bearings need time to obtain uniform, wear-resistant surfaces.

If a new engine is driven too hard, this gradual process of bedding-in will not be possible and the life of the engine will be shortened.

During the first 1,200 miles (2,000 km), do not exceed 5,000 rpm.

In addition, refrain from driving the car at full throttle, other than for brief instances, during the first 1,800 miles (3,000 km).

## **Wearing in new brake pads**

New brake pads take time to bed in, about 90 miles (150 km) if the car is driven largely under stop-and-go conditions or about 300 miles (500 km) of highway driving.

To extend the useful life of the pads, avoid hard braking as much as possible.

## Manual transmission

### Clutch interlock

To start the car, the clutch pedal must be depressed.

When changing gear, fully depress the clutch pedal and then release it smoothly. It is inadvisable to drive with your hand resting on the gear lever, as this can increase the wear on the gearbox.

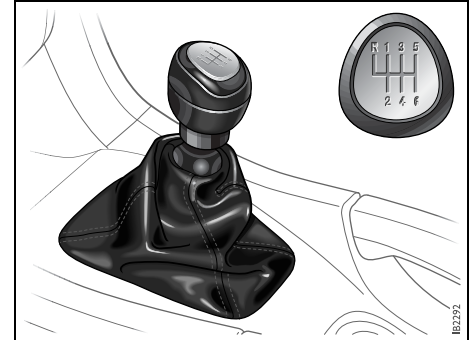
Before reverse (R) can be engaged, you must lift the ring underneath the gear knob.

### NOTICE

When reverse gear is to be engaged, the car must be at a standstill with the accelerator fully released.



*Gear positions, 5-speed*



*Gear positions, 6-speed*

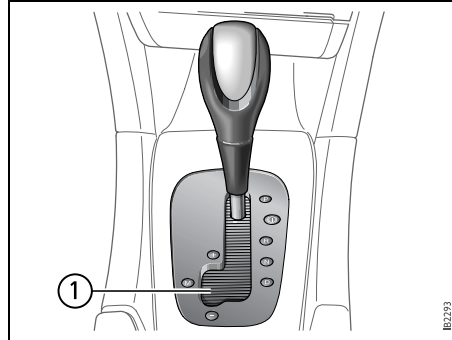


## Automatic transmission

### WARNING

- Depress the brake pedal when shifting the selector lever from P or N.
- The car must be at a standstill before P, R or N is selected. You have to have your foot on the brake pedal to move the lever out of P. If the car is still moving when a drive position is subsequently selected, this could cause a crash or damage the automatic transmission.
- Never park the car with the selector lever in a drive position, even if the parking brake is on.
- If you want to leave the car with the engine running, move the selector lever to P or N and apply the parking brake.

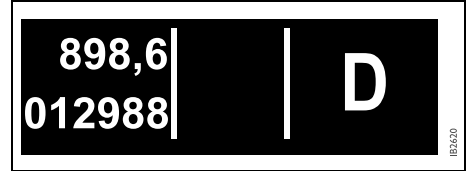
The automatic transmission has an electronic control module. The control module receives information including accelerator position and road speed. Using this and other information, it controls the hydraulic pressure of the transmission to ensure that gear changing is as smooth as possible.



*Selector lever*

1 Position for manual gear selection

The remote control can only be removed when the selector lever is in the P position.

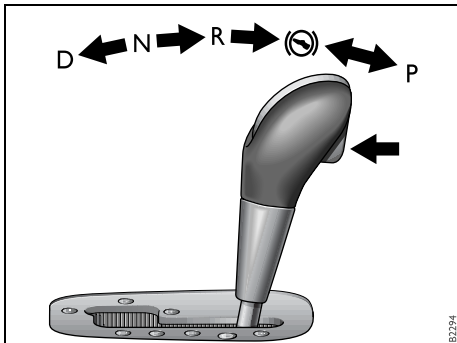


*Indication of gear position on main instrument panel*

The engine can only be started when the selector lever is in the P or N position. When the car is stationary, the engine must be idling when you move the selector lever from one position to another. If not, the transmission could be damaged.

### NOTICE

After selecting a drive position, pause briefly to allow the gear to engage (the car starts to pull a little) before you accelerate.



Selector lever detent

### Park Brake Shift Lock

The transmission has a security function known as Park Brake Shift Lock. To move the gear selector lever out of the P or N position, the gear selector lever detent (catch) must be pressed in at the same time as the brake pedal is held depressed.

The detent button on the selector lever has to be pressed in before the lever can be moved between certain positions.

Temporary override of Park Brake Shift Lock, see page 162.

### Adaptive gear change patterns

The adaptive gear change pattern function adapts gear changing to the prevailing driving conditions. The transmission control module senses the engine load, vehicle speed and temperature of the transmission. A suitable gear change pattern is then selected automatically to avoid unnecessary gear changes and undesired increases in transmission temperature.

Certain variants use a special change pattern for the first few minutes after a cold start so that the catalytic converter reaches its working temperature more quickly.

### Thermal transmission protection

The transmission has built-in protection against overheating. This protection is provided by the control module, which changes gear change patterns.

- 1 If the temperature of the transmission fluid exceeds 257°F (125°C), the gear change pattern is changed.
- 2 If the temperature of the transmission fluid exceeds 275°F (135°C), the gear change pattern is again changed.
- 3 If the temperature of the transmission fluid exceeds 302°F (150°C), engine torque will be limited to 147 ft.lbs. (200 Nm).

The following message is shown on the SID:



Gearbox too hot.  
Make a safe stop.  
Open hood to cool down.

If this message appears, stop the car as soon as it is safe to do so and allow the engine to idle until the message has gone out. The selector lever should be in position P.

## Lock-up

The transmission's torque converter has a lock-up function. This can lock the torque converter, thus reducing the engine speed and fuel consumption.

## Kick-down

When the accelerator is pressed down fully, a down change is made to optimize acceleration, e.g. for overtaking.

Following this, the next higher gear will be selected at the optimum engine speed, unless you ease off the accelerator before reaching this.

## Driving in hilly country with a heavy load

The transmission fluid can overheat when the gearbox is strained, for example, when driving with a trailer on hilly roads. To avoid the transmission fluid overheating, always drive with the selector lever in the D position. The adaptive gear change patterns are then active.

High air temperatures or a faulty oil cooler can also cause the transmission fluid to overheat. Overheating reduces the service life of the fluid.



Remember to use the braking effect of the engine (1st, 2nd or 3rd gear) when you are descending long or steep hills to spare the brakes.

Overheating can cause the brakes to fade!

## Towing

Towing of cars with automatic transmission, see page 190.

## Descending hills

If the speed of the car increases while descending a steep hill, despite the accelerator being released, the control module will change down. If you desire more powerful engine braking, manually select a lower gear (see page 164).

## Limp-home

### NOTICE

Do not tow a trailer if limp-home mode is engaged.

If the transmission malfunctions, the control module will activate limp-home mode. Drivability will be affected to varying degrees. The following message is shown on the SID:



Gearbox malfunction.  
Limited performance.  
Contact Saab dealer.

In this mode, only 2nd and 5th gears are available. Select 2nd gear when driving at low speeds and 5th gear at higher speeds. 2nd gear must be selected manually. Select 5th gear manually or move the selector lever to D (see page 164).

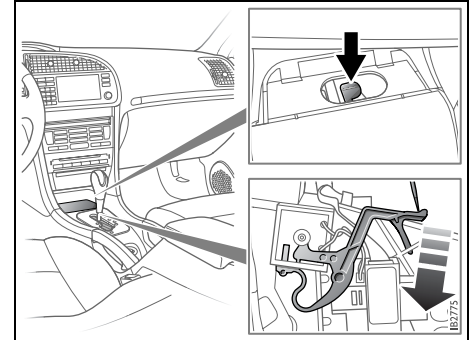
## Temporary override of Park Brake Shift Lock

### NOTICE

Due to electrical problems it may not be possible to move the selector lever out of the park position, even if the ignition is ON. If for some reason the selector lever has to be moved out of the park position (i.e. to tow the car a short distance) do as described below.

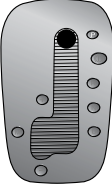
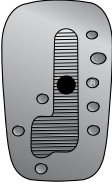
- 1 Apply the parking brake.
- 2 Lift up the rubber mat in the storage compartment ahead of the selector lever.
- 3 Under the floor of the storage compartment is a yellow plastic lever. Use a thin tool, such as a screwdriver, to press and hold the plastic lever while moving the selector lever from P to N.
- 4 Remove the tool.
- 5 Release the parking brake if the car is to be moved immediately, otherwise it should remain on.

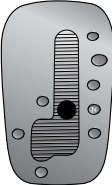
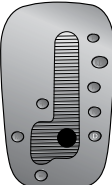
Check fuse 6 in the engine bay fuse box. If the fuse is OK the battery may be dead. Contact a Saab dealer to have the problem checked and rectified.

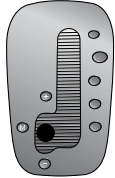


*Temporary override of Park Brake Shift Lock*

**Selector lever positions**

	<p><b>P</b> The selector lever is locked and the transmission is mechanically blocked. The engine can be started. To move the selector lever out of the P position, depress the brake pedal and press in the detent (catch) on the selector lever. Only select the park position (P) when the car is stationary.</p>
	<p><b>R</b> Only select the reverse position (R) when the car stationary. The detent release button must be pressed before the selector lever can be moved to R. Wait until reverse gear has engaged before touching the accelerator.</p>

	<p><b>N</b> You must press the brake pedal to move the selector lever from the neutral position (N). In neutral, the transmission is disengaged from the engine. The engine can be started but make sure the parking brake is on to prevent unexpected movement. To prevent the engine and transmission becoming hotter than necessary, select N for long stops with the engine running, e.g. when stuck in a traffic jam. At traffic lights, leave the selector lever in the drive position (D).</p>
	<p><b>D</b> The drive position (D) is the normal one for forward driving. The transmission shifts automatically between all gears from 1st to 5th, the timing of which depends on factors such as the current accelerator position and the speed of the car. Pause for a moment before applying the accelerator, to allow the gears to engage.</p>

**M3****Sentronic, manual gear selection**

Move the selector lever to the manual position (M) (to the left position D) to select gear manually.

Select a higher gear by pressing the selector lever forward or a lower gear by pulling it back. The selector lever will return to a position adjacent to the letter M after each gear change.

An example of when you may wish to make manual gear changes is when overtaking, to enable you to remain in a low gear for an extended period of time.

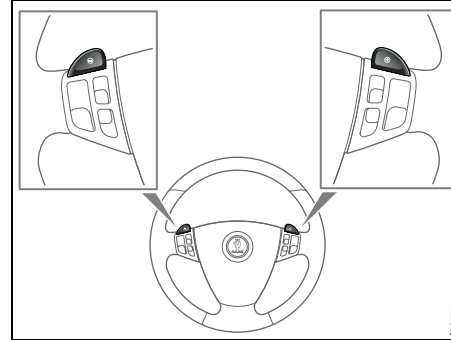
If the road surface is slippery, you may wish to start off in 2nd or 3rd to reduce the risk of wheel spin.

When descending steep hills you should select a low gear to increase the braking effect of the engine and thus spare the brakes.

Manual gear selections are displayed on the main instrument panel. The letter M and the current gear are displayed.

When the selector lever is in the M position, as opposed to the D position, the engine is much more responsive to changes in accelerator position. The accelerator has a different feel.

When changing down, the desired gear can be selected but the transmission will not change down until the engine speed is low enough to avoid overrevving.



*Steering wheel controls for manual gear selection (optional on certain variants)*

Certain variants also have steering wheel controls for manual gear selection. On these models, it is possible to change gear manually using the selector lever and the steering wheel controls. The steering wheel controls are only active when the selector lever is in the M position.

Select a higher gear by pressing the right-hand button and a lower gear by pressing the left-hand button.

## Cruise control

(Cruise control system)

### WARNING

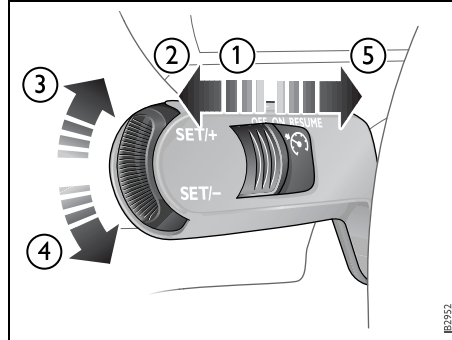
Do not use the cruise control system in wet or icy conditions, in dense traffic or on winding roads.

**For safety reasons (brake system function), the brakes must be applied once when the engine has started, before the cruise control system can be activated.**

The following message is shown on the SID:



Tap brakes lightly before using cruise control.



*Cruise control switches*

The system has the following functions:

- 1 ON: engaged
- 2 OFF: disengaged
- 3 SET/+: sets the speed and increases the set speed
- 4 SET/ -: sets the speed and decreases the set speed
- 5 RESUME: re-engages the system at the set speed

The CRUISE indicator light in the main instrument panel comes on when the switch is slid to ON. If you switch off the engine while the cruise control is ON, the system will be ON the next time the engine is started.

### To set the desired speed

- 1 Slide the switch to ON.
- 2 Move the thumbwheel up to SET/+ or SET/- when the car has reached the desired speed (above 15 mph (25 km/h)).

### To increase the preset speed

You can increase the speed in any of the following ways:

- Accelerate to the desired speed. Jog the control to SET/+ or SET/-.
- Jog the control to SET/+ to increase the speed by 1 mph (1.6 km/h) (when cruise control already engaged).
- Hold the control in the SET/+ position until the desired speed is reached (when cruise control already engaged).

### **To reduce the preset speed**

You can reduce speed in any of the following ways:

- Brake to the desired speed. Jog the control to SET/+ or SET/-.
- Jog the control to SET/- to reduce the speed by 1 mph (1.6 km/h).
- Hold the control in the SET/- position until the desired speed is reached.

### **Temporary increase in speed**

Accelerate, without shifting down (manual transmission), to exceed the set speed such as for overtaking. When you release the accelerator, the car will return to the set speed.

### **To disengage the system temporarily**

Slide the switch to the left towards OFF, but only as far as to disengage the cruise control. Allow the switch to spring back.

### **To re-engage the system**

Slide the switch to RESUME. The car will return to the previously set speed. Vehicle speed must exceed 15 mph (25 km/h).

### **To disengage the system**

The system will be disengaged:

- As soon as the brake or clutch pedal is depressed (cars with manual transmission).
- When the switch is slid towards OFF. See also heading "To disengage the system temporarily".
- When the switch is slid to OFF.
- When the TCS/ESP system is operative.
- When position N is selected (cars with automatic transmission).

## **Braking**

It is good practice to try your brakes periodically while driving. This is particularly important when driving in heavy rain, on roads with a lot of surface water, in snow or in salty slush. In such conditions a slight delay in the braking effect may be noticed. To minimize this delay, dry the brakes by applying them lightly now and again. This should also be done after the car has been washed, and in extremely damp weather.

To avoid the brakes becoming overheated, such as when negotiating long descents with a drop of several hundred yards (hundred metres), select a low gear to utilize the braking effect of the engine. If the car has automatic transmission, select 1st or 2nd gear.

You can help to prolong the life of the brakes by thinking ahead and braking harder over short periods, rather than braking more moderately over long stretches.



 **WARNING**

- It is prudent to try your brakes from time to time, especially when driving in heavy rain, through water collected on the road, in snow, on a wet road surface or in salty slush. In such conditions, the brakes may take longer than normal to take effect. To rectify this, touch the brake pedal periodically to dry the brakes out.
- The same applies after the car has been washed or when the weather is very humid.
- Avoid parking the car with wet brakes. Before parking, and if the traffic conditions allow, brake quite heavily so that the brake discs and pads warm up and dry.
- The brakes are power assisted and it should be kept in mind that the servo unit only provides the power assistance when the engine is running.
- The brake pressure required when the engine is off, (e.g. when the car is being towed) is roughly four times the normal pedal force required. The pedal also feels hard and unresponsive.
- Overheating can cause the brakes to fade!

**ABS brakes**
 **WARNING**

- The additional safety afforded by the ABS system is not designed to allow drivers to drive faster but to make normal driving safer.
- To stop as quickly as possible, without loss of directional stability, whether the road surface is dry, wet or slippery, **press the brake pedal down hard without letting up (do not pump the pedal), declutching simultaneously, and steer the car to safety.**

The Antilock Braking System (ABS) modulates the brake pressure to each wheel. The pressure is automatically reduced just before the wheel locks up and then increases again to the point at which the wheel is just about to lock. The wheel sensors send information to the brake system's electronic control module for every 4 or so inches (decimetre) that the car rolls. This information is processed continuously to ensure that the adjustment of the brake pressure will be as exact as possible. Adjustment takes place up to 12 times per second.

The brake system provides Electronic Brakeforce Distribution (EBD). This distributes the brake pressure between the front and rear wheels, in such a way as to achieve optimum braking performance irrespective of the car's speed or load.

The ABS has a built-in diagnostics function which will switch on the ABS warning light if a fault is detected in the system (see page 78).

The following message will appear on the SID (and corresponding symbol on main instrument unit) if a fault is detected:



Antilock brake malfunction.  
Contact Saab dealer.

The ABS system will not reduce the braking distance on loose gravel, snow or ice but, because the wheels cannot lock up, steering control is retained.

When the ABS system operates you will feel the brake pedal pulsate and hear a ticking noise, both of which are perfectly normal.

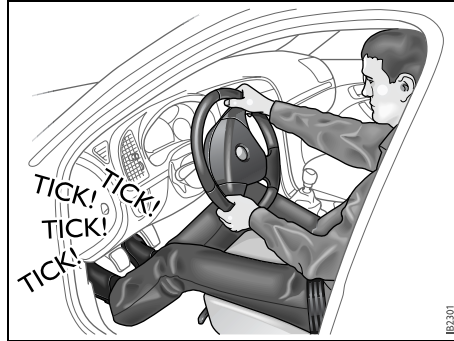
Apply the brake pedal with **full force** (you cannot press too hard), declutch and if necessary steer to safety.

**Do not release the brake pedal before the car has come to a halt or the danger is past!**

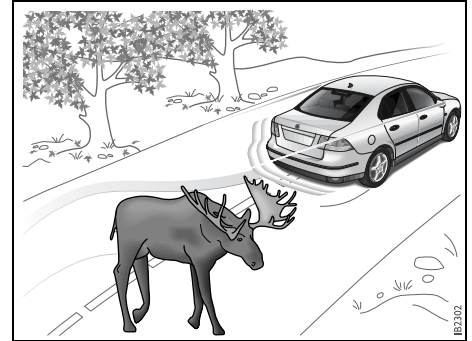
The above is critical.

If the road is slippery, the ABS system will operate even when only light pressure is applied to the brake pedal. This means that the driver can brake gently to test the condition of the road and adapt their driving accordingly.

It is well worth practising the use of ABS brakes on a skid pan or other suitable facility.



*Braking with ABS brakes.  
Indication that the system is operating:  
pulsating brake pedal and ticking noise*



*Braking with ABS – evasive steering*

## Traction Control System (TCS)

### Anti-spin system



#### WARNING

When driving normally, the TCS system helps to improve the car's directional stability. The TCS must not be regarded as a system to enable the driver to maintain higher speeds. The same precautions must be adopted as normal for safe cornering and driving on slippery roads.

### How the system works

The Traction Control System (TCS) is designed to prevent wheelspin. This enables the car to achieve the best possible grip and, hence, maximum tractive effort, together with greater stability.

The TCS uses information from the ABS wheel sensors to detect when the front (driving) wheels are rotating faster than the rear wheels. It then monitors whether one driving wheel is rotating faster than the other. If so, the faster wheel is retarded until both wheels are rotating at the same speed.

If the two front wheels are rotating at the same speed but are turning faster than the rear wheels, the torque from the engine is reduced to eliminate the difference.

The process continues until all the wheels are rotating at the same speed.

The advantages of the TCS become most apparent when the cohesion between the front wheels and the road surface is so low that one or both of the wheels would lose their grip were the car not equipped with the TCS, e.g.:

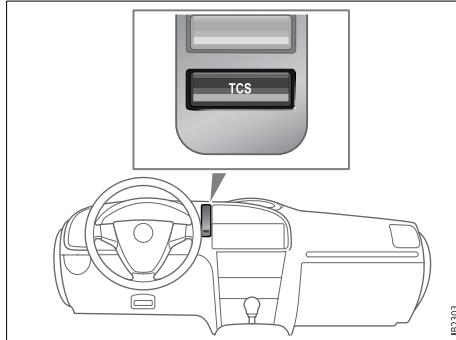
- When the car is pulling away or accelerating with the front wheels on different surfaces (e.g. one slippery and one dry), the TCS functions like an electronic differential lock, making sure that both wheels rotate at the same speed.
- When the car is pulling away or accelerating on a slippery surface, in which case the system eliminates wheelspin. The system also functions when the car is reversing.
- When cornering, if the inside front wheel rotates faster than the other wheels.

### TCS OFF



lights up under the speedometer if:


- a fault has been detected and the system has therefore been switched off
- there is a fault in the ABS system
- the system has been switched off manually.



TCS button

### TCS indicator


When the remote control is turned to the ON position, the lamp is lit for about 4 seconds while the system performs self-diagnosis.

The  light under the speedometer comes on when the TCS is operative, that is when one of the wheels has lost its grip.

The fact that the TCS is operative indicates that the limit for grip has been exceeded and that the driver must exercise greater care.

### Turning the TCS off

The TCS is switched on automatically when the engine is started.

You can switch the system off manually with the TCS button, whereupon the  light under the speedometer will come on. The TCS cannot be switched off if the car is travelling faster than 35 mph (60 km/h).

It may be necessary to switch off the system if the car has become bogged down, for instance. Press TCS to switch it on again.

If a fault is detected in the ABS, the TCS will be switched off automatically.

The following message is shown on the SID:



Traction control failure.  
Contact Saab dealer.

The cruise control system (if active) will automatically be disengaged if the TCS is operative.

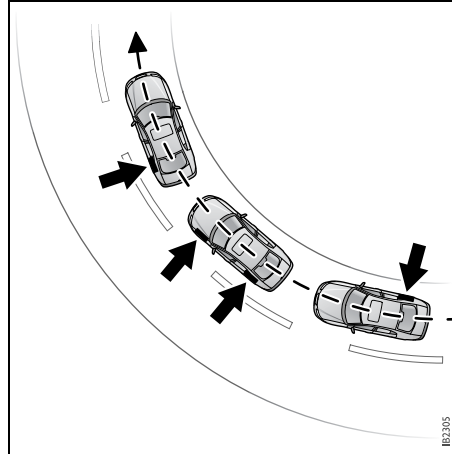
## Electronic Stability Program (ESP)

Anti-skid system  
(Certain variants)

### WARNING

When driving normally, the ESP system helps to improve the car's directional stability. The ESP must not be regarded as a system to enable the driver to maintain higher speeds. The same precautions must be adopted as normal for safe cornering and driving on slippery roads must be adopted.

The Electronic Stability Program employs both the antilock braking system (ABS) and the traction control system (TCS). It is a system that helps the driver to stabilize the car in unusual circumstances that can otherwise be difficult to handle.



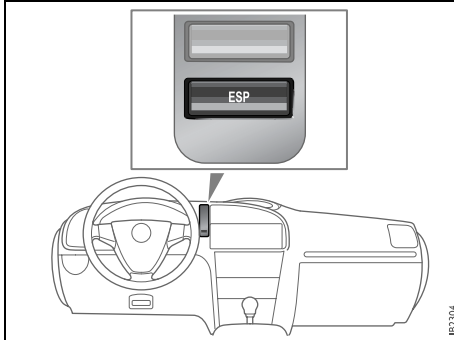
*Illustration of how the system applies the brakes on one or several wheels to help avoid a skid*

### How the ESP system works

The Electronic Stability Program can help to prevent the car from skidding by braking one or several wheels independently of the driver. The engine output is then also reduced to prevent the driving wheels from spinning. The car has sensors that measure wheel speed, yaw rate, lateral acceleration, steering wheel position and braking pressure. The values provided by these sensors are used to calculate the actual direction of the car, the intentions of the driver and whether the ESP should be engaged.


If this direction does not agree with that intended by the driver, calculated from the steering wheel position, the ESP is engaged.

The ESP improves the driver's chances of retaining control over the car in critical situations.



ESP button


## ESP OFF

 lights up under the speedometer if:

- a fault has been detected and the system has therefore been switched off
- the system has been switched off manually


## ESP indicator light

When the remote control is turned to the ON position, the lamp is lit for about 4 seconds while the system performs self-diagnosis.

The  light under the speedometer comes on for a short period of time when the ESP system is operative.

Operation of the ESP indicates reduced cohesion between the tires and the road, and that extra care should be taken by the driver.

## Turning ESP system off

The system can be turned off manually with the ESP button, whereupon the  light under the speedometer will come on. The car must be travelling slower than 35 mph (60 km/h). The TCS is also disengaged.

The ESP is always engaged during braking, even if it has been switched off manually with the ESP button.

If a fault is detected in the system, the following message will be displayed on the SID:



Stability control failure.  
Contact Saab dealer.

The cruise control system (if active) will automatically be disengaged if the ESP is operative.

## NOTICE


Changes to the chassis, such as a change of wheels, shock absorbers or springs, could affect the function of the ESP system.

Always consult your Saab dealer before changing any chassis components.

## Parking brake

### WARNING

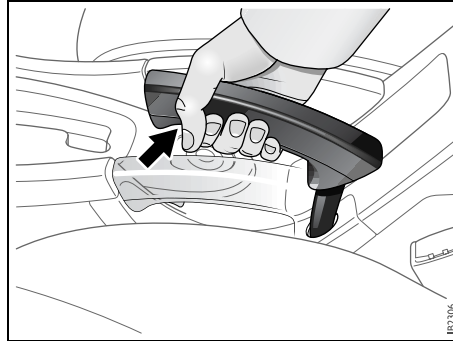
- **Always** apply the parking brake when you park the car. If the car is to be left parked for a long time, refer to page 175.
- Always apply the parking brake before removing the remote control.
- Do not use the parking brake while driving.
- Grasp the parking brake lever in such a way that no fingers get trapped when you release the parking brake.

The parking brake lever is situated between the front seats. The brake acts on the rear wheels. When the parking brake is applied, the  indicator light on the main instrument panel will come on.

To release the parking brake, lift the lever slightly, pull the release button on the underside of the lever and lower the lever.


If conditions allow, it is best if the brake pedal is not depressed, or only depressed as little as necessary so as to stop the car from rolling, when the parking brake is applied.

To facilitate releasing the parking brake, depress the brake pedal. This is especially appropriate if the car is standing on a hill.



*Correct hold*

If the parking brake is applied when the car starts off, the following message will appear on the SID:

 Release parking brake.

## Parking

### WARNING

- **Never** leave children or pets unattended in the car. In warm, sunny weather, the temperature inside the car can reach 160–180°F (70–80°C).
- Park where the vehicle will not create an obstruction or a hazard to other road users.
- Do not park on dry grass or other combustible material. The catalytic converter gets very hot and could start a fire.
- Apply the parking brake, remove the remote control and lock the car.

**NOTICE**

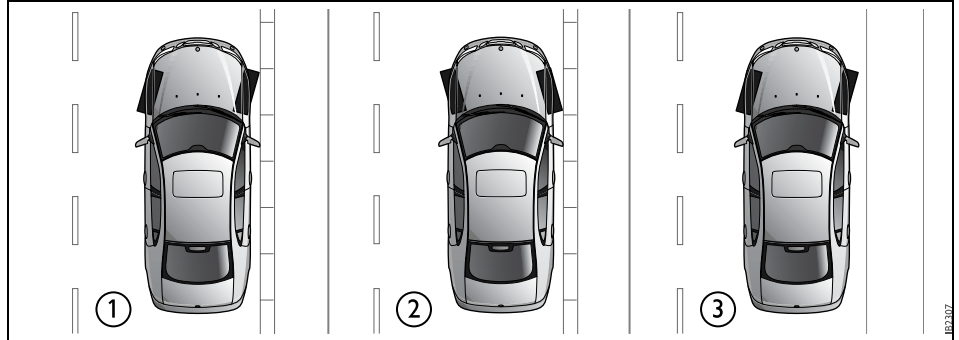
Empty the car yourself and bear in mind:

- Never leave a mobile phone, camera, computer or similar object visible in the car.
- Clothing, packages and bags attract thieves.
- Do not leave small objects such as CDs, sunglasses and coins visible.
- If possible, park in a well-lit, conspicuous parking space.
- Thieves strike whenever and wherever they are given the opportunity.

**Parking on a hill**

When parking on a steep hill, turn the front wheels so that they will be blocked by the curb if the car should move.

If the car is parked with one front wheel touching the curb, for example, you may need to turn the steering wheel slightly when you insert the remote control to allow the steering wheel lock to unlock.



**1 Downhill with curb.** Turn the wheels toward the curb and edge the car forwards until the wheel lightly touches the curb.

**2 Uphill with curb.** Turn the wheels away from the curb and edge the car backward until the wheel lightly touches the curb.

**3 Uphill or downhill without curb.** Turn the wheel towards the edge of the road so that the car, should it move, will not roll towards the middle of the road.



## Long-term parking

If the car is not going to be used for some time, e.g. three to four months, the following steps are recommended:

- Drain the washer fluid reservoir and hoses.
- Wash and wax the car. Clean the rubber seals on the hood, trunk lid and doors, and lubricate them with glycerol (glycerine).
- After washing the car, dry the brake discs to avoid corrosion by taking the car out on the road and applying the brakes a few times.
- Fill the fuel tank to prevent condensation forming in it.
- Top up the coolant and check the anti-freeze before the onset of winter.

- Park the car in a dry, covered and well-ventilated building. Leave the parking brake OFF!
- **Convertible:** If the car is stored, the soft top should be closed.
- If necessary, use wheel chocks and leave the parking brake off.
- Disconnect the negative (-) battery lead. If frost is likely to occur during the storage period, remove the battery and store it in a frost-free place.
- If it is not possible to stand the car on axle stands, increase the tire pressure to 43 psi (3 bar).

Leave all the door windows open a crack and cover the car with a non-plastic tarpaulin – not one made of plastic which will not breath.

## Saab Parking Assistance

### Saab Parking Assistance (option)

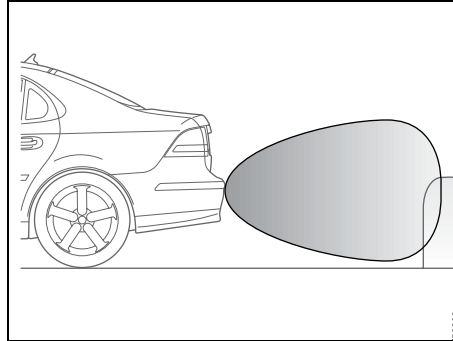
#### WARNING

Responsibility **always** lies with the driver when reversing.

- The parking assistance system can facilitate parking and reversing.
- Bear in mind that small objects, such as a child lying on the ground, and narrow objects cannot always be detected by the system.

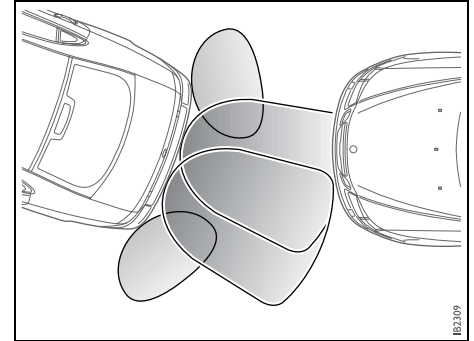
Saab Parking Assistance facilitates parking and reversing. There are four sensors in the rear bumper that detect objects up to 6 ft (1.8 meters) behind the car.

If the car is heavily laden, the system may falsely indicate that there is an object within the detection range. This is since the sensors are angled towards the ground when the car is tail-heavy.



*Area monitored by the sensors seen from the side*

The system uses four sensors in the rear bumper. These emit ultrasound signals that bounce back to the sensors off any objects behind the car. The system, however, cannot always detect small or narrow objects, such as a post, since the surface area presented to the car is too small.



*Area monitored by the sensors seen from above*

The system is activated automatically when reverse is engaged or selected. Audible confirmation is given and the following text is shown on the SID:

Parking assistance active

If a warning message, such as the seatbelt reminder, is shown on the SID when reverse is engaged, the audible signals from the parking assistance system will not be heard since the warning message has priority.

When the sensors detect an object within the monitored area, pulses of sound (- - -) will be heard. The frequency of these pulses increases as the car comes closer to the object.

If you stop the car with reverse gear engaged, the sound pulse will stop after 2 seconds. The sound pulses will return if you continue to reverse. If the car rolls forward while reverse is engaged, the system is silenced.

**When the distance to the object is less than 1 ft. (30 cm), a continuous tone will be heard.**

When an object is approximately 3 ft. (90 cm) from the car, the sound pulses change character markedly (frequency increases). A distance of about 3 ft. (90 cm) is suitable if you wish to load or unload the trunk.

If the distance between an object and a corner sensor does not change for 3 seconds, for example if you are reversing alongside a wall, the system will switch to monitoring straight back. The system indicates if the distance to the wall decreases again.

If a trailer is hitched up and correctly connected to the trailer contact by the tow bar, the system is automatically deactivated.

### NOTICE

The sensors must be kept clean to function well. Ice, snow and dirt can affect their sensitivity.

Large quantities of snow or dirt covering the sensors can prevent the parking assistance system from detecting any objects.

Do not spray the sensors with a pressure washer, as this can damage them.

### Reversing alongside a wall

If the distance between an object and a corner sensor does not change for 2 seconds, for example if you are reversing alongside a wall, the system will switch to monitoring straight back. The system indicates if the distance to the wall decreases again.

### Cars with trailer hitch

If the car has a trailer hitch and its wiring is correctly connected to the car's electrical system, the Saab Parking Assistance automatically compensates for the protrusion of the tow bar.

If a camper or trailer is hitched up and the trailer hitch wiring is correctly connected to the car's electrics, the system is automatically deactivated.

You can temporarily deactivate the Saab Parking Assistance as follows:

- Engage reverse and press the CLEAR button on the SID control panel.

The system will be reactivated the next time you engage reverse.

### Error messages

If the system malfunctions, the following message will appear on the SID:



Parking assistance malfunction.  
Contact Saab dealer.

If the system is subject to interference, the following message will be shown on the SID:



Parking assistance sensor interference.

If this message appears, clean the sensors. The sensors are located in the black trim on the rear bumper

The system can be switched off using Profiler.

- 1 Press the CUSTOMIZE button to go to Profiler.
- 2 Select Park Assistance using the INFO dial.
- 3 Press in the INFO dial.
- 4 Select SPA on or SPA off.
- 5 Confirm this selection by pressing the INFO dial.

Park Assistance
SPA on
SPA off

Explanation of SPA on and SPA off.

### SPA on

*Saab Parking Assistance is activated automatically when reverse is engaged. The system warns of objects behind the car.  
If a trailer is hitched up and correctly connected to the trailer connector, the system will be deactivated automatically. You can also deactivate the system temporarily with the CLEAR button if reverse has been engaged and the system is active.*

### SPA off

*Saab Parking Assistance deactivated.*

## Economical driving

### Factors affecting fuel consumption

The fuel consumption of a car is greatly affected by driving conditions, climate, road conditions, speed, driving technique, etc.

### Breaking-in

Fuel consumption may be somewhat higher during the break-in period (the first 3,000–4,000 miles (5,000–7,000 km)).

### Weather conditions

Summer temperatures give better fuel economy than winter ones. The difference can be as much as about 10%. Consumption increases in cold weather because the engine takes longer to reach its normal operating temperature. The transmission and wheel bearings also take longer to warm up. Even distance affects consumption: short journeys of 3–5 miles (5–8 km) do not give the engine enough time to reach its optimum temperature. Wind conditions also have a marked effect on fuel consumption.

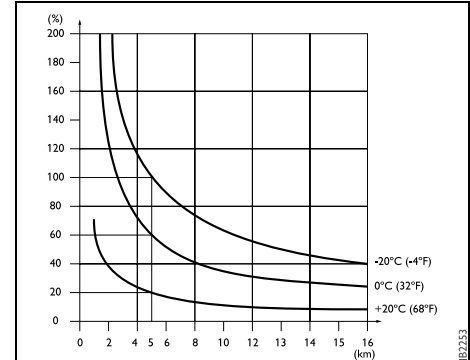
How to read the diagram:

If fuel consumption with the engine at normal temperature is 28 mpg (10 l/100 km), the actual fuel consumption 3 miles (5 km) after the engine has started from cold will be:

- 23.5 mpg (12 l/100 km) at outside temp. of 68°F (+20°C) (increase of 20%).
- 17.7 mpg (16 l/100 km) at outside temp. of 32°F (0°C) (increase of 60%).
- 14 mpg (20 l/100 km) at outside temp. of –4°F (–20°C) (increase of 100%).

It is clear from the diagram that both distance driven and outside temperature have a significant impact on fuel consumption, after a cold start.

If the car is normally driven on short journeys, 3–5 miles (5–8 km), for example to and from work, the average consumption will be 60–80% above the normal level.



*Percentage increase in fuel consumption of engine starting from cold compared to engine at normal temperature.*

### Driving techniques

- To obtain the best running economy, with regard to fuel consumption and general wear, the car must be serviced regularly.
- High speed, unnecessary acceleration, frequent braking and much changing down all give higher fuel consumption.
- Frequent gear changing in traffic, starting in cold weather, the use of studded tires and roof racks, and towing a camper all increase fuel consumption.
- Do not warm up the engine while the car is stationary.  
If idling, the engine will take much longer to reach its optimum temperature, and

engine wear is at its greatest during this period. Drive off as soon as possible after starting the engine and avoid high engine speeds.

- Drive as smoothly and thoughtfully as possible. Match your driving to the prevailing traffic conditions.
- Driving in a low gear gives rise to higher fuel consumption than driving in a high gear because of the higher engine speed for any given road speed. Always shift up as soon as traffic conditions allow and drive in the highest gear as much as possible.
- Check the tire pressure once a month. Incorrect tire pressure increases tire wear. It is preferable for the tire pressure to be slightly high than too low. Under-pressure increases fuel consumption.

- Check the fuel consumption regularly. Increased fuel consumption can indicate that something is wrong and that the car needs to be checked at a Saab dealer.

Practical road tests have demonstrated that substantial savings in fuel consumption can be made if the above advice is followed.



Never switch off the engine while driving as the effect of the brakes and power steering will be greatly reduced.

### Road conditions

Wet roads increase fuel consumption, as do unpaved roads and driving in hilly country (the amount of fuel saved driving downhill is less than the additional amount required to climb the hill).

### Engine block heater (standard equipment in Canada, accessory in U.S.)

The following are just some of the benefits to the car and the environment of using an engine block heater:

- Lower fuel consumption.
- Reduced wear on the engine.
- Inside of car warms up faster.
- Exhaust emissions substantially reduced over short runs.

The engine heater is effective at outside temperatures up to 60–70°F (+15–+20°C). The warmer it is outside, the shorter the time the engine heater needs to be connected. Longer than 1.5 hours is unnecessary.

If the car is equipped with a removable, electric cabin heater that is not in use, store this in the trunk.

## Driving in cold weather

In cold weather, special attention should be paid to the following:

- Before driving off, make sure that the wiper blades have not frozen to the windshield.
- Remove any snow from the heating system air intakes between the hood and the windshield.
- If necessary, inject oil into the locks to prevent them from freezing. Use molybdenum-sulphide oil (MoS<sub>2</sub>). If the locks freeze, exercise care when unlocking the car (manual unlocking) to avoid breaking the key. Warm up the key or use a de-icer.
- It is particularly important when the roads are slippery that the brakes and tires are in good condition.
- For how to check the level of antifreeze in the engine coolant, see page 205.
- Add gasoline anti-freeze when refueling several times before the onset of winter. This will prevent condensation water in the fuel tank from freezing and causing interruptions in the fuel supply. The likelihood of condensation is lowest when the fuel tank is full.

If the car is parked outside and the temperature is below zero, gasoline anti-freeze is of little use as it cannot remove water that has already frozen. Park the car in a warm place so that any ice that may have built up melts, then add gasoline anti-freeze when refueling.

Condensation is caused by temperature fluctuations, either in the outside temperature alone or when the car is alternately parked outdoors and in a garage.

- **Convertible:** Avoid operating the soft top at temperatures below 23°F (-5°C).
- The car is equipped with tires designed to provide optimum grip on both wet and dry roads, although this has been achieved at the expense of somewhat reduced grip on snow and ice. For regular driving on snow and ice, we therefore recommend that winter tires be fitted. However, winter tires achieve this extra grip at the expense of grip on bare road surfaces.

Winter tires, particularly studded tires, generally make driving safer on snow and ice.

**Acquaint yourself with the legal provisions governing the use of different types of winter tires and snow chains. Studded tires are not allowed in some countries.** If winter tires are fitted, the same type must be fitted to all four wheels. Your Saab dealer will be pleased to advise you on the best tires for your car.

Remember that tires age: it may therefore be necessary to change winter tires before they reach the legal wear limit, as they gradually lose their friction properties with age.

If you get into a front wheel skid and the car has a manual transmission, the best response is to freewheel, which means declutching so that the wheels neither drive nor brake, and to cautiously steer in the desired direction.

If the car has automatic transmission, ease off the accelerator slightly and steer cautiously in the desired direction.

If you get into a rear wheel skid, steer in the same direction as the movement of the rear of the car.

### Driving with tire chains

Snow chains must only be fitted to the wheel and tire dimensions that Saab recommends in "Technical data" on page 267.

Contact a Saab dealer regarding approved tire chains. See also page 240.

#### **WARNING**

- Do not drive at speeds above 30 mph (50 km/h) when tire chains are fitted.
- Tire chains can reduce directional stability.
- Do not fit tire chains to the car's rear wheels.

#### **NOTICE**

- Check the links frequently for wear.
- Check that the chains do not foul the wheel arch liner at full lock.
- Refer to the "Technical data" section on page 267, for information on wheel and tire dimensions approved for the fitting of tire chains.



## Driving in hot climates

Always check the coolant level before starting a journey. When the engine is cold, the coolant must not lie above the KALT/COLD mark on the expansion tank (boundary between the upper and lower sections of the tank).

At the end of a journey, allow the engine to idle for 2–3 minutes before switching it off.

If the needle on the temperature gauge enters the red zone, the following message will be shown on the SID:



Hot engine.  
Make a safe stop.  
Run engine on idle.

- 1 Stop the car but do not switch off the engine. **Do not** remove the cap on the cooling system expansion tank, even if the tank is empty. The engine temperature should decrease. If the temperature continues to rise with the engine idling, the engine must be switched off.

- 2 If the engine is idling and the needle on the temperature gauge falls, wait until a normal temperature is shown (about in the middle of the scale) before switching off the engine. If the coolant needs to be topped up, **carefully** unscrew the expansion tank cap.

Fill as required with a mixture of 50 % antifreeze and 50 % clean water. Use an antifreeze approved by Saab.

### WARNING

- Exercise care when opening the hood if the engine is overheated. Never remove the expansion tank cap completely when the engine is hot.
- The cooling system is pressurized - hot coolant and vapour can escape. These can cause injury to your eyes and burns. Open the cap slowly to release the pressure before removing it.

- 3 Have the car's cooling system checked at a Saab dealer.

## Towing a trailer

### WARNING

- Do not drive with a trailer on inclines steeper than 15 %. The load on the drive (front) wheels will be so low that the wheels can start to spin and prevent further progress.
- In addition, the car's parking brake may not always be sufficient to hold the car and trailer securely, as the wheels may start to slide.
- Always apply the trailer's parking brake when unhitching it. There is otherwise a risk of personal injury or damage to the bumper should the trailer start to roll.
- When you hitch up the trailer be sure to attach its safety chains to the holes by the hitch.

**Make sure you are familiar with the legal requirements regarding speed limits for towing, maximum trailer weights, trailer braking requirements, and also any special driving licence provisions.**

## Trailer hitch attachment

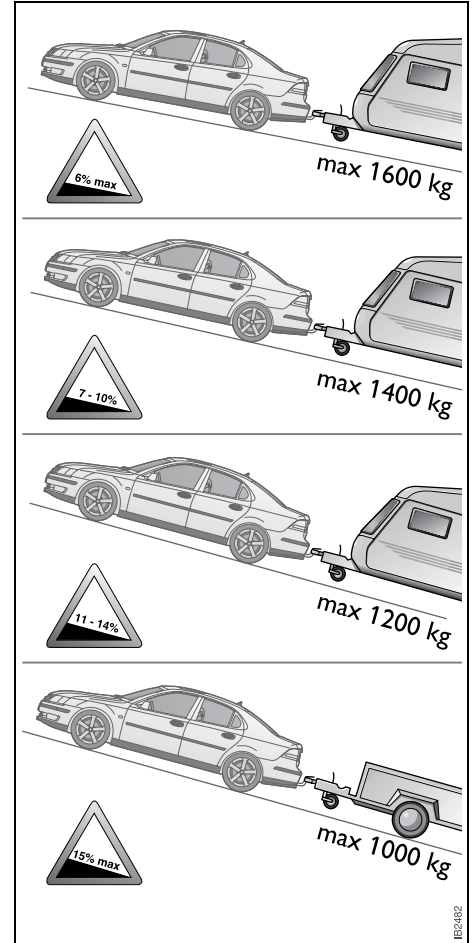
Trailer hitch attachments are available as accessories. These are designed for a maximum trailer weight of 3500 lbs (1588 kg), with trailer brakes.

An electrical connection for the towbar and an electrical unit are provided in the electrical centre on the left-hand side of the luggage compartment.

The Saab genuine electrical socket enables a battery in the trailer on tow to be charged while driving. Also, if the car has SPA, this is deactivated automatically if a trailer is hitched up and correctly connected to the Saab genuine trailer socket.

Saab recommendations:

- Use a genuine Saab trailer hitch that is designed and tested for your Saab.
- Contact your Saab dealer for advice on which trailer hitch is designed for your car.



**NOTICE**

- Use only a genuine Saab trailer hitch, since other models can damage the car's bodywork and electrical system.
- Consult a Saab dealer for guidance on how to connect a trailer hitch.
- Exercise care when driving on uneven roads or against the curb if the car is heavily laden. This particularly applies to cars with 17" wheels.

**Recommendations for cars with automatic transmission**

The following driving time limits are based on the capacity of the cooling system in hot weather, i.e. approximately 86°F (+30°C).

Gradient of hill, %	Max. trailer weight, lbs. (kg)	Time limit, minutes
6-8	3330 (1500)	unlimited
9-11	3080 (1400)	max. 15
12-14	2645 (1200)	max. 15
max. 15	2200 (1000)	max. 15

The following driving time limits are based on the capacity of the cooling system in hot weather, i.e. approximately 104°F (+40°C).

Gradient of hill, %	Max. trailer weight, lbs. (kg)	Time limit, minutes
6-8	2200 (1000)	unlimited
9-11	1760 (800)	max. 15
12-14	1100 (500)	max. 15
max. 15	880 (400)	max. 15

When negotiating long hills, bear the following important considerations in mind.

Rises in coolant temperature are indicated by the temperature gauge in the main instrument panel.

The following steps are taken in order as the temperature of the transmission increases:

- Gear change pattern is altered
- A/C compressor is switched off
- Max. engine torque is reduced

The following message will be displayed on the SID if the transmission fluid becomes too hot:



Gearbox too hot.  
Make a safe stop.  
Open hood to cool down.

If this message appears, stop the car as soon as it is safe to do so and allow the engine to idle until the message has gone out. The selector lever should be in position P.

When continuing your journey, manually select a low gear in which the engine speed is about 3,500 rpm until the incline eases (see page 164).

**! WARNING**

Remember to use engine-braking (selector position M1, M2, or M3) to spare the brakes when you are driving on a long or steep downhill slope.

Overheating can cause the brakes to fade!

### Recommendations for cars with manual transmission

Rises in coolant temperature are indicated by the temperature gauge in the main instrument panel.

When the needle is just outside the red zone, the A/C compressor will be switched off and, on certain engine variants, the maximum engine torque will be limited.

When continuing your journey, select a low gear in which the engine speed is about 3,500 rpm until the incline eases.

#### **WARNING**

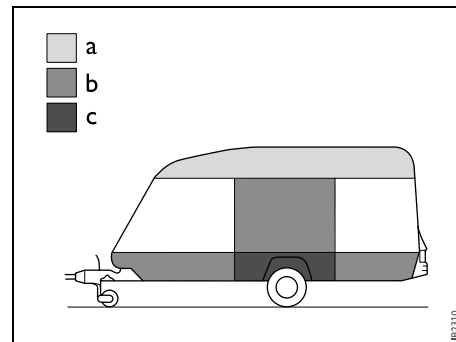
Remember to use engine-braking (selector position 1, 2, or 3) to spare the brakes when you are driving on a long or steep downhill slope.

Overheating can cause the brakes to fade!

### Trailer hitch load

The weight distribution on the trailer makes a lot of difference to the handling properties of the car and trailer combination. With a two-wheel trailer, concentrate the load over the wheels and keep it as low as possible.

The trailer should be loaded so that the load on the towball is 110–165 lbs. (50–75 kg). Note that this load must be included in the total load for the car. If this now exceeds the specified load capacity, the load in the trunk may have to be reduced by the corresponding amount.



*Distribution of load in trailer*

- a Light
- b Moderate
- c Heavy

## Checks before driving

Make sure that the car and trailer are in good working order. This is essential since towing a trailer increases the strain on the car.

- Check and if necessary adjust the tire pressure of the car and trailer.
- Make sure all wheel bolts are properly tightened.
- Make sure that the equipment joining the car and trailer is properly secured and adjusted.
- Make sure the trailer's electrical cable is properly connected and is not so long that it drags along the ground. Also, make sure the cable is not too short and risks breaking when turning a corner.
- Check all bulbs.
- Check the car and trailer brakes.
- Make sure that all items on or in the camper or trailer are properly secured.
- Make sure that the trailer's jockey wheel is raised and locked.
- Check the distribution of the load so that the car and trailer are well balanced.
- Check that the rearview mirrors provide the best possible rearward vision.
- Make sure the trailer's safety cable is correctly attached.

## Driving considerations

Always take extra care when towing a trailer, as the car's handling will be different and its braking performance reduced. The trailer's braking system and suspension also have a considerable effect on these characteristics. See also "Driving with a load" on page 189.

Drive carefully:

- descending hills
- on uneven roads
- over railway crossings
- when meeting large vehicles

If the car has automatic transmission, select gear M1 when ascending or descending steep hills.

## Reversing

Get someone to help you keep an eye out behind the trailer as the door mirrors do not always provide sufficient rearward vision when reversing.

## Driving with a roof rack load

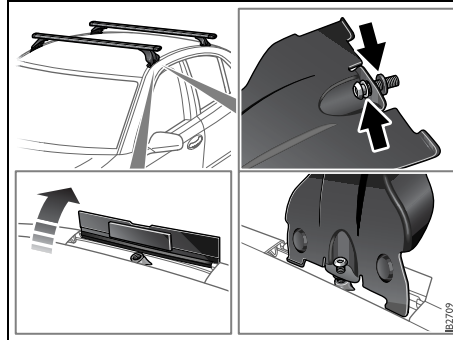
### WARNING

- A roof load will affect the car's center of gravity and aerodynamics. Be aware of this when cornering and driving in crosswinds.
- Adjust your speed to the prevailing conditions.
- Due to higher aerodynamics drag, fuel economy may suffer when driving with a roof rack.

The maximum permissible roof load is 220 lbs. (100 kg). Note that the roof load must be included in the car's maximum permissible payload and axle load.

Strong, sturdy roof carriers designed specially for your car are available from your Saab dealer. Always secure roof loads securely.

- 1 Open the four covers on the roof of the car.
- 2 Insert a screw with washer into each roof carrier foot. Fit a seal onto each screw.
- 3 The roof carriers are marked front and back.
- 4 Bolt the roof carriers to the brackets in the roof.



*Mounting holes for roof carrier*

- 5 Check that the roof carriers are firmly mounted.

## Driving with a load

The handling characteristics are affected by how the car is loaded.

### NOTICE

- Place the heaviest load as far forward and as low as possible in the trunk.
- Secure the load to the lashing eyes (see page 143).
- Heavy loads mean that the car's center of gravity is further back. As a result, the car will sway more during evasive steering.
- Never exceed the permissible load of the roof box, even if there is room for more.
- Ensure that the tire pressure is correct – slight overinflation is preferable to underinflation.
- The braking distance of a loaded car is always greater. Keep your distance from the vehicle in front.
- Do not exceed the car's permissible gross vehicle weight or axle load (see page 268).
- Roof loads can negatively affect telecommunication.

For further information on tires see page 234.

## Driving with the trunk lid open



### WARNING

Avoid driving with the trunk lid partly or fully open, since exhaust fumes can be drawn into the cabin.

If you must drive with the trunk lid open, close all windows and the sunroof (if equipped) and set the cabin fan to its highest speed setting.

## Driving in deep water

### NOTICE

Do not drive in puddles or water deeper than 7 in. (20 cm) and do not drive faster than 3–4 mph. Water can otherwise be sucked into the engine. The engine will be seriously damaged if water enters the intake system.

## Driving at night

Bear in mind the following points, especially when driving at night:

- Nighttime driving requires your full concentration
- Do not rush. Count on your journey taking slightly longer.
- The number of drivers under the influence of drugs is likely to be greater at night than during the day.
- Do not stare at the headlights of oncoming vehicles.
- Avoid driving at night if you have poor eyesight. Night vision deteriorates with age.
- Keep your car's headlights, windows and mirrors clean. Also, if you wear glasses, make sure they are clean.
- Make sure you are well rested before starting a long journey. Take a break every other hour.
- Only eat light meals. Heavy meals have a tendency to induce tiredness.
- Wild animals prefer to move at dusk and dawn.
- Check the headlight levelling setting (see page 96).

## Towing the car

### WARNING

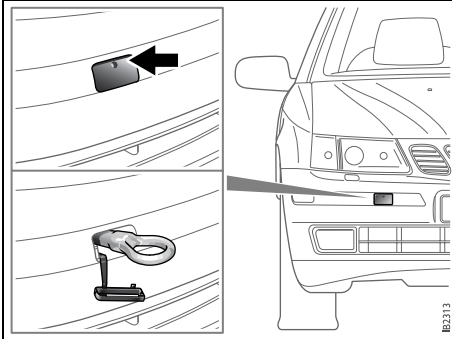
- Remember that the brake servo does not operate when the engine is off. Much greater pressure than normal will therefore be required to operate the brake pedal.
- Nor does the steering servo operate when the engine is off. The steering will therefore be much heavier than usual.
- The towing vehicle should always be heavier than the vehicle on tow.
- Never allow passengers to ride in the car when it is on tow.
- Always seek professional help if the car needs to be recovered.
- The ignition switch must be in the ON position if the car is moved with the engine not running.
- The steering wheel lock must be disengaged before towing the car.
- The steering wheel lock disengages when the remote control is inserted into the ignition switch, if the battery has sufficient charge.

## Front towing eye

### WARNING

- Make sure that the towing eye is screwed in tightly. It has a **left-hand thread!**
- The towing eye is only designed for towing the car on roads. **It must not be used** to pull the car out of a ditch, for example.
- Make sure that all bystanders keep a suitable distance, in case the towing eye or tow rope should snap. The towing eye or tow rope could catapult off and cause seriously injury.
- Never drive with the towing eye fitted to the front bumper. Return it to its designated storage space.



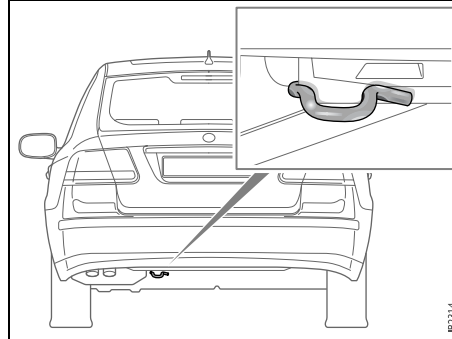


Front towing eye fitted.  
**The towing eye has a left-hand thread!**

The front towing eye is stowed by the spare wheel. On the left-hand side of the bumper is a cover concealing the attachment point (tapped hole) for the towing eye.

- 1 Press the knob on the upper section of this cover at the same time as pulling out the lower edge.
- 2 Screw in the towing eye. **The towing eye has a left-hand thread!**
- 3 Insert the wheel wrench into the eye to tighten it properly.

**To refit the cover:** Start by inserting the top edge of the cover. Then click in the lower edge, one corner at a time.

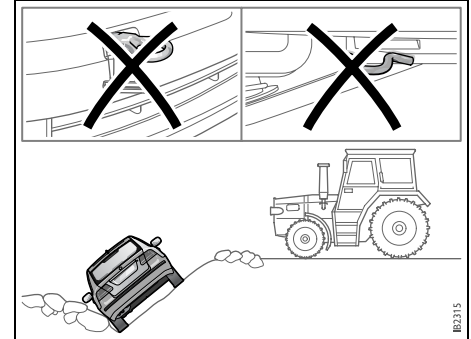


Rear towing eye

### Rear towing eye

The car has a permanent towing eye at the rear under the bumper.

If the car is equipped with a towbar, this can be used instead of the towing eye.



**Never use the towing eyes to pull the car unstuck.**

### Towing the car

#### NOTICE

**Never** use the towing eyes to pull the car unstuck.

Engage neutral (automatic transmission: move the selector lever to N). Turn on the parking lights.

**Drive carefully and do not exceed the speed limit for vehicles on tow.**

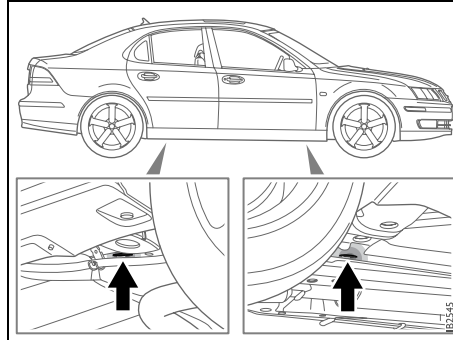
Always try to keep the towrope taut by gently applying the brake of the car on tow, as necessary. This will avoid the towrope being jerked violently.

### Cars with automatic transmission:

#### NOTICE

- The car must be towed front first.
- If the car is to be towed with the front wheels off the ground, make sure the parking brake is off, as this acts on the rear wheels.

Always observe the speed limit for vehicles on tow. Whatever the speed limit, the car must not be towed at speeds exceeding 30 mph (50 km/h) nor for a distance of more than 30 miles (50 km). If the car needs to be transported over a longer distance, a tow truck or flatbed truck must be called out. The engine cannot be started by towing or pushing the car. In an emergency, the engine can be started as described under "Jump starting" on page 193.



*Attachment points for anchorage straps*

## Vehicle recovery

If the car has to be transported on a flatbed truck, or similar, it must be securely strapped down. There are attachment points for this purpose on the underside of the car. The attachment points are oblong hole that have been reinforced to cope with the stresses that arise during this type of transport.

## Transporting the car

#### NOTICE

If a car with sports (lowered) chassis is transported, for example on a flat bed truck, take extra care not to damage the spoiler and/or underbody.

## Driving with the compact spare tire

### WARNING

- Do not exceed 50 mph (80 km/h). The tire can overheat affecting the car's roadholding.
- Tire pressure: refer to page 275.
- The spare tire or punctured tire must be stowed under the trunk floor, and secured in place with the retaining nut.

Observe the following when the compact spare tire is fitted:

- The compact spare is light and easy to handle when changing a tire.
- Do not drive further than necessary with the compact spare fitted - the maximum life of the tire is only just over 2,000 miles (approx. 3,500 km).
- Refit the standard tire as soon as possible.

Important considerations when driving with a compact spare tire:

- The car's ground clearance is reduced.
- The car must not be driven with more than one compact spare tire at a time.
- Avoid driving against the curb.
- Do not use snow chains.
- Do not fit the wheel cover - this would conceal the warning text.

### NOTICE

To avoid damaging an alloy wheel of a punctured tire, this can be temporarily placed outside up in the spare wheel well but **only** while driving to the closest workshop.

As a general rule, all heavy loads must be well secured in the trunk (see page 143).

## Jump starting

### WARNING

- When working on the battery, highly explosive gas can build up. A spark could ignite this gas that collects around the battery. Therefore, always avoid sparks and open flames in the vicinity of the battery.
- The battery contains corrosive sulphuric acid. Always wear a face mask or goggles when working on the battery.
- If battery acid gets into the eyes or splashes onto skin or clothing, wash the affected area liberally with water. If acid gets into the eyes or a large quantity makes contact with the skin, seek medical help.

**NOTICE**

Ignoring these steps could result in costly damage to your vehicle that would not be covered by your warranty.

Trying to start your car by pushing or pulling it could damage your vehicle, even if you have a manual transmission. If you have an automatic transmission, your vehicle cannot be started by pushing or pulling it.

It is essential when a donor battery is to be used to jump start the car that the jump leads be connected correctly to prevent arcing.

To jump start your vehicle:

- 1 Check the other vehicle. It must have a 12-volt battery with a negative ground system.

**NOTICE**

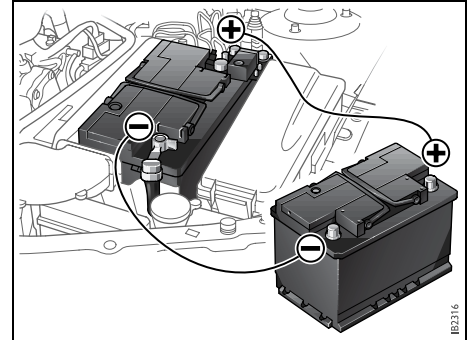
If the other system is not a 12-volt system with a negative ground, both vehicles can be damaged.

- 2 Get the vehicles close enough so the jumper cables can reach, but be sure the vehicles are not touching each other. If a poor connection on the negative jumper cable should exist, it is possible for damage to be caused to electrical systems/components of either vehicle should inadvertent contact be made. You would not be able to start your car and bad grounding could damage the electrical systems.

**! WARNING**

You could be injured if the vehicles roll. Set the parking brake firmly on each vehicle. Put an automatic transmission in P (Park) or a manual transmission in Neutral.

- 3 Turn off the ignition on both vehicles. Turn off lights that are not needed, and radios. This will avoid sparks and help save both batteries and it could save your radio.



*Jump starting*

**NOTICE**

If you leave your radio on, it could be badly damaged. The repairs would not be covered by your warranty.

- 4 Open the hood and locate the battery. Find the positive (+) and negative (-) terminals on the battery.

**! WARNING**

An electric fan can start up even when the engine is not running and can injure you. Keep hands, clothing and tools away from any underhood electric fan.


**WARNING**

Using a match or flame of any kind near a battery can cause battery gas to explode. You can suffer burns or be blinded. Use a flashlight if you need more light.

Be sure the electrolyte in the battery is not frozen. Discharged batteries will freeze. When connecting jumper cables to a frozen battery, gas from the chemical reaction inside the battery can build up under the ice and cause an explosion.

Battery fluid contains acid that can burn you. Do not get it on you. If you accidentally get it in your eyes or on your skin, flush the area with water and get medical help immediately.

- 5 Check that the jumper cables do not have loose or missing insulation. If they do, you could get a shock and also the vehicles could be damaged. Before you connect the cables, here are some basic things you should know. Positive (+) will go to positive (+) and negative (-) will go to negative (-). Do not connect (+) to (-) or you will get a short that could injure you or would damage the battery and maybe other parts as well.
- 6 Connect the red positive (+) cable to the positive (+) terminal of the vehicle with the discharged battery.

- 7 Do not let the other end touch metal. Connect it to the positive (+) terminal of the good battery. Use a remote positive (+) terminal if the vehicle has one.
- 8 Now connect the negative (-) cable to the good battery's negative terminal.
- 9 Attach the cable to the discharged battery's negative terminal.
- 10 Start the vehicle with the good battery and run the engine for a while.
- 11 Try to start the vehicle with the discharged battery. If it does not start after a few tries, it probably needs service.
 

**Note.** If the current in the low battery is too low it might be necessary to wait several minutes with the cables connected before you can start the engine with the low battery.
- 12 Remove the cables in reverse order to prevent electrical shorting. Take care that they do not touch each other or any other metal.

### Using a battery charger/starter unit

To avoid damaging the car's electrical system and electronics, the following rules must be followed when charging the battery or jump starting the car.

- If the charger or starter unit can be set to different voltages (6V/12V/18V/24V), 12V must be selected.
- Follow the manufacturer's instructions supplied with the charger or starter unit.
- No other apparatus that are grounded or connected to the mains must be connected to the car during charging or jump starting.
- The charger or starter unit must under no conditions produce a voltage greater than:
  - 16V continuous
  - 18V for 60 min.

If you are unsure about the charge rating of the unit, disconnect the battery clamp from the positive terminal before connecting the unit to the battery.

## For long trips

Before starting off on a long journey, it is advisable to have your car inspected by your Saab dealer.

Obtain a few important items to take along on your journey, such as spare bulbs, wiper blades, fuses, a drive belt (poly-V-belt) and the like.

You can check some points yourself beforehand:

- Check that no oil or fuel leaks out of the engine or gearbox/transmission.
- Check the coolant and power steering fluid levels. Check also for leaks.
- Inspect the drive belt (poly-V-belt) and replace if it shows any signs of wear.
- Check the battery charge.
- Check the tires for tread pattern and air pressure, including the compact spare tire.
- Take an extra remote control and keep it separate.
- Check the brakes.
- Check all bulbs.
- Check for the presence of the tool kit and jack in the car.

# Car care



B2319

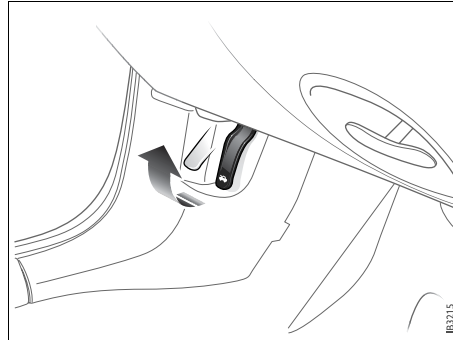
Hood _____	198	Fuses _____	227
Engine _____	199	Tires _____	234
Engine bay _____	201	Compact spare _____	246
Engine oil _____	202	Changing a tire _____	248
Air filter _____	204	Safety belts _____	251
Transmission fluid _____	204	Upholstery and trim _____	251
Coolant _____	205	Textile carpeting _____	252
Brake/clutch fluid and brake pads _____	206	Engine bay _____	252
Power steering _____	207	Washing _____	252
Battery _____	208	Waxing and polishing _____	253
Drive belt _____	210	Touching up the paint _____	253
Wipers and washers _____	211	Anti-corrosion treatment _____	254
Wiper blades _____	211	Recovery and/or recycling of automotive materials _____	256
Changing bulbs _____	213	Air conditioning (A/C) _____	257

## Hood

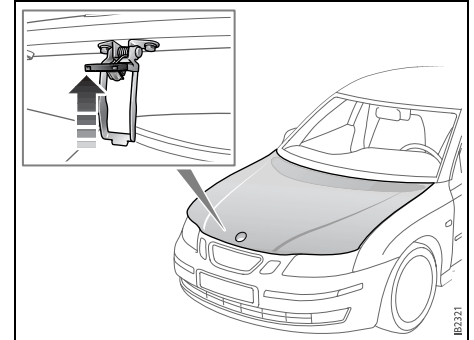
The hood release handle is located on the left under the instrument panel. Open the hood in the following way:

- 1 Pull the release handle.
- 2 The hood moves to the half-locked position and is stopped by a safety catch at the front edge.
- 3 Press the lever of the catch upwards and raise the hood.

When you close the hood you should drop it from a height of about 12 inches (30 cm), **without** slamming it.



*Hood release handle*



*Hood release catch plate*



## Engine

The engine is a transverse four-cylinder in-line engine with twin overhead camshafts and 16 valves.

The engine is equipped with two balance-shafts that reduce engine vibrations to a minimum.

The balance shafts are chain-driven and rotate at twice the speed of the crankshaft. They produce forces and torques that are opposed to those generated by the pistons and connecting rods. The effect occurs twice in each revolution of the engine, counteracting the vibration from its moving parts, and at the same time reducing unwanted engine noise.

The gearbox, located on the right (viewed from the front), is integrated with the engine.

## Engine families

Saab cars imported into the United States and Canada meet all applicable emission control standards. The engine family and appropriate tune-up specifications are identified on a label affixed to the left front inner fender.

These engine families meet applicable EPA Federal Standards, California State Standards and Canadian Federal Standards and are equipped with the following systems:

- sequential multiport fuel injection system
- three way catalytic converter
- crankcase emissions control system
- evaporative emission system.

## Emission control systems

The systems for controlling emissions to the atmosphere require regular checking and adjustment at the intervals specified in the service program.

In addition to meeting the exhaust emission regulations and thereby helping to keep the environment clean, a correctly tuned engine will also give maximum fuel economy.

### **WARNING**

Engine exhaust, some of its constituents, and certain vehicle components contain or emit chemicals known to the State of California to cause cancer and birth defects and reproductive harm. In addition, certain fluids contained in vehicles and certain products of component wear contain or emit chemicals known to the State of California to cause cancer and birth defects or other reproductive harm.

## Saab Trionic engine management system

The Saab Trionic engine management system is a unique Saab development that combines sequential multiport fuel injection, electronic distributorless ignition and turbocharger boost pressure control into one system.

The Trionic engine control module (ECM) monitors many different engine parameters such as:

- Intake manifold pressure.
- Intake air temperature.
- Crankshaft position.
- Engine coolant temperature.
- Throttle position.
- The oxygen content of the exhaust gases.

The ECM receives information regarding engine knocking from a sophisticated feedback function in the ignition discharge unit.

By processing all of this information, the Trionic system can control fuel injector opening duration, ignition timing and turbocharger boost pressure to provide excellent engine performance while maintaining low emissions and fuel consumption.

### NOTICE

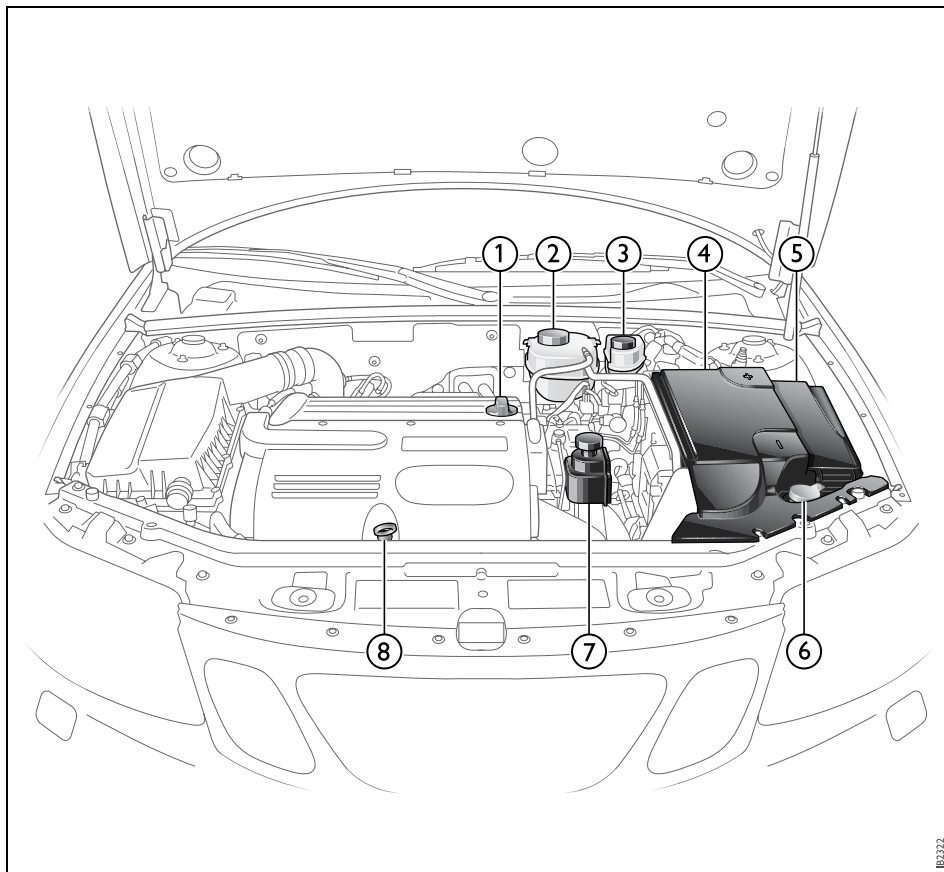
The Trionic engine management system continuously monitors the operation of these systems and has on-board diagnostic capabilities (OBD II). If the Engine malfunction (CHECK ENGINE) light in the main instrument illuminates, the Trionic ECM has detected a problem. The car will continue to operate, but performance may be diminished. You should have your car checked by a Saab dealer as soon as possible.

## ORVR (Onboard Refueling Vapor Recovery)

All hydrocarbons formed when refueling will be recovered by the car and not released into the atmosphere. The hydrocarbons are absorbed in an evaporative emission canister. When the engine is subsequently started, the evaporative emission canister is gradually purged as air is sucked into it through a shut-off valve. The hydrocarbon/air mixture passes through the evaporative canister purge valve and into the engine where it is burned. "Refueling", see page 153.

When refueling, make sure you screw the filler cap on and keep turning until it has clicked 3 times.

## Engine bay



- 1 Oil filler cap
- 2 Coolant reservoir
- 3 Brake and clutch fluid reservoir
- 4 Battery
- 5 Fuse box
- 6 Washer-fluid reservoir
- 7 Power-steering fluid reservoir
- 8 Engine-oil dipstick

## Engine oil

### Checking the oil level

Check the engine oil level regularly.

- 1 Park the car on a level ground.
- 2 Switch off the engine and wait for 2–5 minutes. The engine should be at normal operating temperature.
- 3 Take the dipstick out and wipe it off with a clean rag before carrying out the check.

The level must not be below the MIN mark on the dipstick, but nor should it be above the MAX mark. Excess engine oil could result in abnormal oil consumption.

The distance between the MIN and MAX marks is equivalent to 1.0 qt (1.0 l).

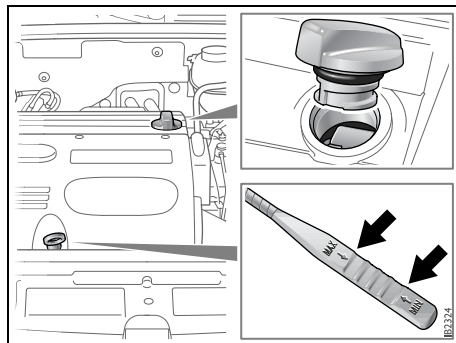
#### NOTICE

Too high oil level can damage the engine.

**Saab 9-3 Aero:** The engine oil level is checked each time the engine is started. If the oil level is low, the following message appears on the SID:



Low engine oil level.  
Fill oil now.



*Oil filler cap and dipstick*

**Recommended oil grade**, see page 270.

Make sure you screw on the oil filler cap properly after topping up the oil to avoid running problems.

It is normal for an engine to consume a certain amount of oil. It is therefore often necessary to top up the oil between services. Check the engine oil level regularly.

During the Break-in Period (approx. 3,000 miles or 5,000 km) and when driving at high speeds or with a trailer, the oil consumption may be higher than normal.

#### NOTICE

Change of engine oil and oil filter may be required more frequently if the car is being used under certain conditions, see page 263.

## Changing engine oil

### WARNING

- Prolonged and repeated exposure of the skin to engine oil can cause serious skin disorders. Avoid prolonged skin contact whenever possible.
- Used engine oil contains chemicals that have caused cancer in laboratory animals. Always protect your skin by washing thoroughly with soap and water.
- Keep oil out of reach of children.
- Do not touch the turbocharger or exhaust manifold. These get very hot when the engine has been running.
- Do not spill oil on hot parts of the engine as this could cause a fire. Used engine oil is particularly flammable.
- Protect the environment. Do not dispose of oil into the ground or down a drain. Dispose of all used oil and oil filters at an appropriate disposal facility.

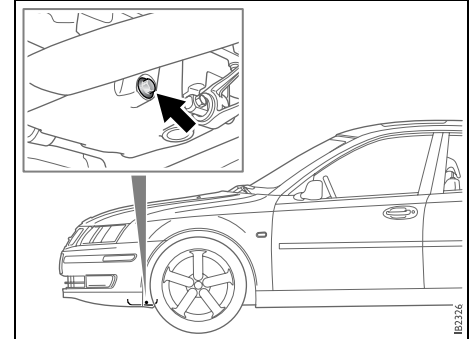
Engine oil and oil filter should be changed according to the service program.

For oil volumes and grades, refer to “Technical data”.

The oil should be drained when the engine is warm. The car must stand on level ground.

- 1 Unscrew the drain plug in the bottom of the sump and leave the oil to drain into a suitable receptacle for at least 10 minutes. Take care, as the oil may be hot.
- 2 Refit the drain plug with a new washer.
- 3 Change the oil filter once the engine oil has drained (see page 204).
- 4 Fill with new oil.

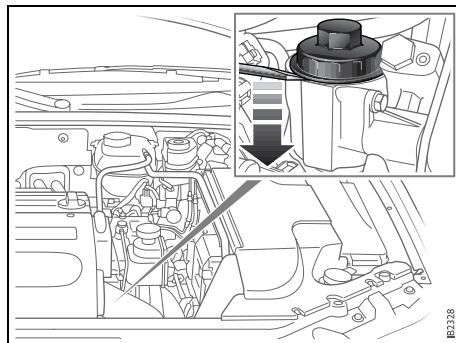
Run the engine to normal temperature and check the oil level.



*Drain plug*

**Changing filter**

- 1 Unscrew the oil filter cap.
  - Lift the cap slightly and carefully pry apart the cap and the filter housing.
  - Remove the filter cap.
- 2 Remove the filter. Have paper towelling or a rag at hand to catch the oil that escapes from the filter.
- 3 Fit a new filter.
- 4 Fit a new O-ring in the cap. Apply a small amount of new engine oil to the O-ring.
- 5 Screw on the cap. The correct tightening torque is 25 Nm (18 lbf. ft).

*Oil filter***Air filter**

To ensure reliable operation, only use an air filter recommended by Saab Automobile AB.

**Transmission fluid****Manual transmission**

Check and top up the oil in accordance with the service program.

**Automatic transmission**

Check and top up the oil in accordance with the service program.

## Coolant

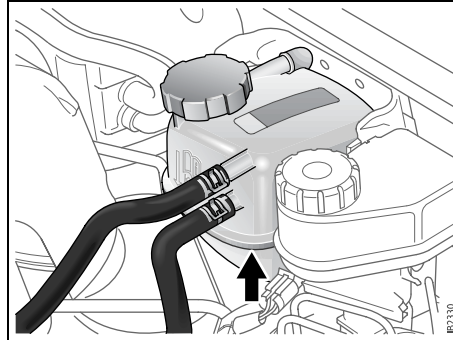
### WARNING

- Proceed with caution if the radiator is boiling when you open the hood. Never remove the expansion-tank filler cap when the radiator is boiling.
- The cooling system is pressurized – hot coolant and vapor can escape when the filler cap is released. These can cause injury to your eyes and burns. Loosen the cap carefully, and let the engine cool before removing the cap.
- Exercise care when adding coolant. Coolant on hot surfaces constitutes a fire risk.

If the coolant level drops too low, the following message appears on the SID:



Coolant level low.  
Refill.



*Coolant expansion tank*

The properties of the coolant are retained for the entire service life of the car. Therefore, it is not necessary to change the coolant.

The coolant contains 45 % antifreeze and anti-corrosion fluid. This ratio gives the best cooling effect. Lower concentrations should be avoided, in view of the corrosion risk.

Other brands of antifreeze can damage the engine and cooling system.

The expansion tank is transparent to facilitate checking the coolant level.

When the engine is cold, the coolant must not lie above the KALT/COLD mark on the expansion tank (boundary between the upper and lower sections of the tank, see illustration).

Top up with a mixture of equal parts of Saab-approved antifreeze and clean water. If the expansion tank is empty when coolant is added, run the engine until warm so that the thermostat opens. Top up the tank again, as necessary.

**NOTICE**

If the cooling system needs topping up, mix the antifreeze with the appropriate quantity of drinking water or distilled water before adding it to the system.

If undiluted antifreeze is added, the engine could still freeze and be damaged. This is because the antifreeze will not mix properly with the coolant before the thermostat has opened to allow full circulation.

**Note:**

If incorrect coolant is used or added, the life-time properties will be affected. Even if the coolant is flushed from the system and replaced with life-time coolant, life-time properties are no longer retained and the coolant must then be drained and replaced at regular intervals.

**Brake/clutch fluid and brake pads****⚠ WARNING**

Brake fluid deteriorates as it becomes old. Because it is hygroscopic, it absorbs water from the air and, in time, could allow vapor to form in the brake system, thus reducing its performance. It is therefore important that brake fluid be changed regularly, as specified in the service program.

**Checking**

Brake fluid should be changed according to the service program. Refer to the Warranty and Service Book.

The brake and clutch fluid reservoir is transparent to facilitate checking of the fluid level. The fluid level should lie between the MAX and MIN marks.

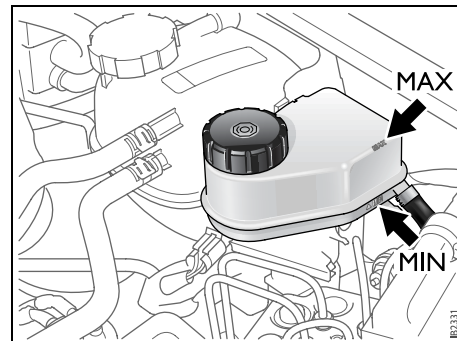
If the level drops too low, the following message appears on the SID:



Brake fluid level low.  
Make a safe stop.  
Contact Saab dealer.

Top up as necessary with **DOT 4** brake fluid. **Do not** use DOT 5 fluid.

Use only new brake fluid from a sealed container.



*Brake fluid reservoir*

The brake fluid level will fall somewhat as the brake pads wear. The MAX level in the reservoir corresponds to the amount of brake fluid required with new brake pads. If the fall in fluid level is moderate, due to normal brake pad wear, topping up is not necessary.

**If the brake fluid should require changing, this must be carried out at a Saab dealer.**



The foot brake and parking brake are self-adjusting.

It is not possible to detect, through abnormal pedal or parking brake lever travel, whether the brake pads are worn and need replacing. It is therefore essential that brake pads be checked regularly, as specified in the service program.

### NOTICE

Avoid spilling brake fluid onto paintwork, since it can cause the paint to bubble and lift. If any brake fluid is spilled, the area should be flushed with large quantities of water as quickly as possible.

**Brake pads should only be changed at a Saab dealer. To ensure optimum brake performance, use only Saab genuine brake pads.**

## Power steering



### WARNING

Power steering fluid on hot engine components constitutes a fire risk.

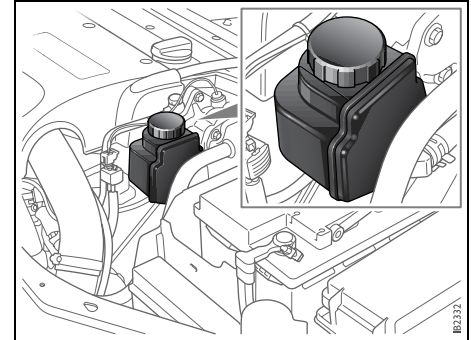
Check the level of the power steering fluid in the reservoir regularly, in accordance with the service program.

The wheels should point directly forwards during this check.

Clean round the cap before unscrewing it. Wipe the dipstick. To check the level, screw down the cap completely and then remove it again.

The oil level should lie between the MAX and MIN marks when the oil temperature is about 68°F (+20°C). If the oil is colder, the level will be lower, and at a higher temperatures the level will be higher.

Top up with "CHF 11S power steering fluid".

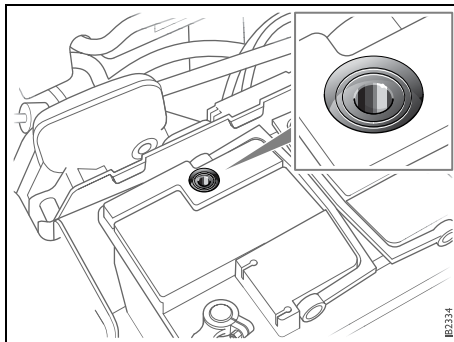


*Power steering fluid reservoir*

## Battery

### WARNING

- When working on the battery, highly explosive gas can build up. A spark could ignite this gas that collects around the battery. Therefore, always avoid sparks and open flames in the vicinity of the battery.
- The battery contains corrosive sulphuric acid. Always wear a face mask or goggles when working on the battery.
- If battery acid gets into the eyes or splashes onto skin or clothing, wash the affected area liberally with water. If acid gets into the eyes or a large quantity makes contact with the skin, seek medical help.
- Battery posts, terminals and related accessories contain lead and lead compounds. Wash your hands after handling



*Checking the battery electrolyte level.  
Level correct if level indicator dark.  
Battery should be changed if indicator is light*

Check the charge state and electrolyte level of the battery regularly.

### NOTICE

A discharged battery can freeze and fracture. Batteries should therefore always be stored away from sub-zero temperatures.

If frequent short journeys are made, the battery may need extra charging. This can be done with a battery charger or by taking the car for a long run.

If the battery is not being charged while the engine is running, the following message will appear on the SID:



Battery not charging.  
Make a safe stop.  
Contact Saab dealer.

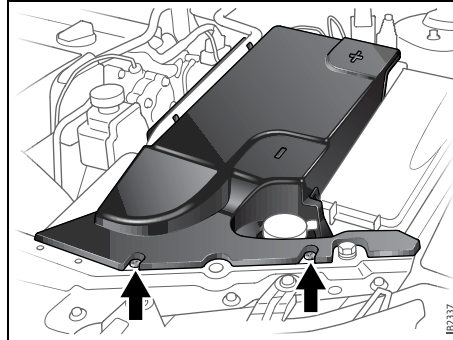
Check the drive belt (see page 210). If the belt is damaged, the engine may overheat, the battery may not be charged and the A/C compressor may not work.

Always connect the positive (red) cable to the battery's positive (+) terminal, and the negative (black) cable to the negative (-) terminal of the battery. Always disconnect both battery leads when boost charging the battery.

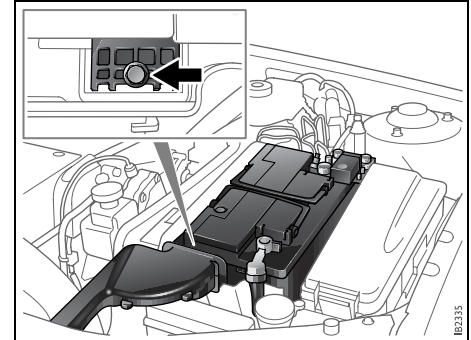
### NOTICE

- If boost charging never use anything but a 12-volt charger, see page 193.
- **Do not connect the battery terminals, + and -, incorrectly.**
- Serious damage can occur to the car's electrical system if a battery or alternator lead is disconnected while the engine is running.
- Exercise special care when removing and fitting the positive (+) cable so as not to damage the battery disconnect switch.

A car with standard equipment specifications and a fully charged battery can be left for up to 40 days and still have a sufficient charge for starting. If extra equipment is fitted, such as a mobile phone, the charge may only be sufficient for about 15 days.



*Turn the two retainers a quarter turn to unlock the battery cover.*



*Battery bracket*

## Drive belt

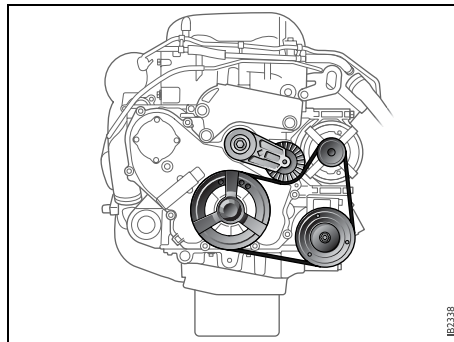
### WARNING

- Keep hands and clothing clear of drive belts when engine is running.
- Always stop the engine before inspecting the drive belt.
- The radiator fan is electric and can start **even** when the engine is switched off.

### NOTICE

Serious damage can be done to the car's electrical system if an alternator lead is disconnected while the engine is running.

The alternator is situated on the right-hand side of the engine. It is driven by a poly-V-belt from the crankshaft pulley.



*Drive belt*

A slipping or broken poly-V-belt can result in:

- no charge to the battery
- no A/C compressor function.

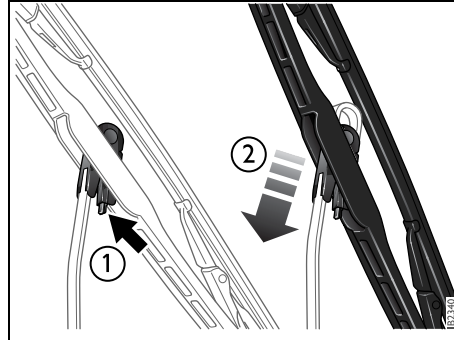
The belt tension is critical and is adjusted automatically by the belt tensioner.

## Wipers and washers

### Wiper blades

Check and clean all wiper blades regularly. If poor wiper performance is experienced, clean the windshield with washer fluid. This is particularly important if the car has been through an automatic car wash, as these sometimes leave a wax coating on the windshield.

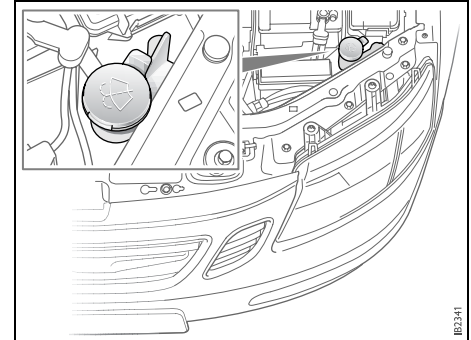
If wiper performance is still unsatisfactory, fit new blades.



*Change of wiper blades*

To fit new blades:

- 1 Press in the catch (1).
- 2 Pull the complete wiper blade downwards so that it comes away from the wiper arm. Slide the entire blade out from the arm.



*Washer fluid reservoir*

### Washers



**WARNING**

Take care not to spill washer fluid concentrate onto hot surfaces. Washer fluid concentrate can contain flammable ingredients such as alcohol.

The reservoir capacity is approx. 6 qts. (5.8 litres).

When the washer fluid level drops below 1 quart (1 litre), the headlight washers (if equipped) are deactivated. This is in order to prioritize the windshield. The following message is displayed on the SID:

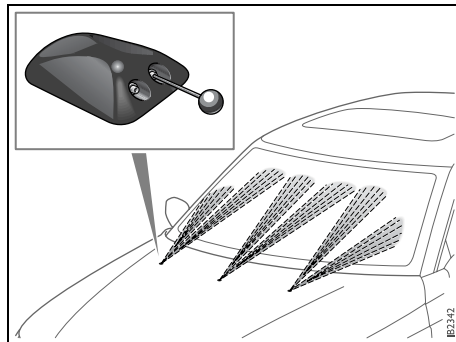


Washer fluid level low.  
Refill.

Headlight washers are only available on certain markets.

Fill with a mixture of washer fluid and water as recommended by the table on the packaging to reduce the risk of freezing and to ensure effective cleaning (see also page 100).

To prevent the smell of washer fluid from entering the car, recirculation can be activated automatically while the windshield is washed. The recirculation symbol will however not light up. This function is optional; contact a Saab dealer.



### Washer jets

The washer jets, which are adjustable, can be cleaned with a pin if necessary.

## Changing bulbs

### WARNING

Before changing a bulb in the engine bay, switch off the engine to avoid the danger of fingers and hands being injured by moving parts.

The radiator fan can cut in even when the engine is switched off.

### NOTICE

Switch off the ignition before changing a bulb, to avoid possible short-circuiting.

### Autochecking of lights

The bulbs that are most important from the point of view of traffic safety are monitored by the car's electrical system. If one of these bulbs should fail, a message will be displayed on the SID.

Example of SID message:



Left low beam failure.

The following bulbs are not checked: parking lights, front fog lights, reversing lights, license plate lighting, side marker lights and side direction indicators.

### If a stop light bulb fails

If a stop light bulb fails, the adjacent taillight will act as a stop light to ensure traffic safety. Change the broken bulb when possible.

All rear light bulbs are of the same type and rated 21 W, with the exception of the license plate lighting which is rated 5 W.

### Wrong bulb fitted

If a dipped or main beam bulb of too high a rating is fitted, a bulb failure message will be shown on the SID (a too high wattage bulb can damage the reflector).

If the following message is displayed but the bulb shines, it is most likely that an incorrect bulb has been fitted.



Right high beam failure.

### Note:

**When changing bulbs, fit the same type of bulb (e.g. Long-Life) as that removed.**

**Headlight aiming, page 258.**

## Xenon headlight, dipped beam (certain variants only)



### WARNING

Xenon headlights are high tension. All work on xenon headlights, including changing bulbs, must be carried out by dealer personnel.

Xenon headlights produce roughly two times as much light as halogen bulbs and have a significantly longer service life.

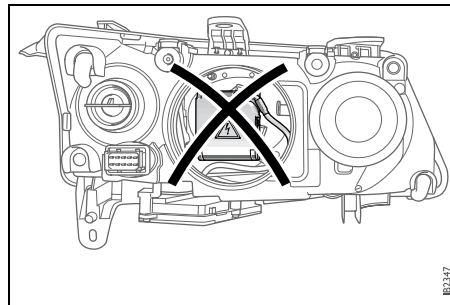
The lamp units consist of a gas discharge lamp containing xenon. When the lights are switched on a very high voltage activates the xenon gas. The lamps soon reach full intensity.

Cars with xenon headlights have automatic levelling. The levelling system is comprised of two sensors, one on the front suspension and one on the rear suspension, and a control unit by the engine bay fuse box. Headlight alignment is adjusted automatically to the car's load to prevent dazzling drivers in oncoming traffic.

If a fault is detected in the system, the following message will be displayed on the SID:

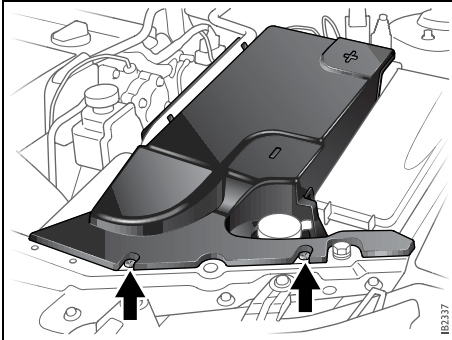


Headlight levelling  
malfunction.  
Contact Saab dealer.



*Contact a Saab dealer to have a xenon headlight changed*





*Retainers on the battery cover*

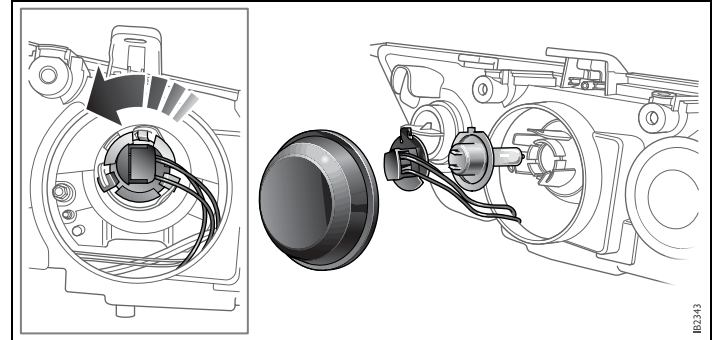
## Low beam, halogen

### Left-hand side

- 1 Lift aside the hose running along the side of the battery cover.
- 2 Release the two retainers (a quarter of a turn counterclockwise) in the leading edge of the cover and remove the cover.
- 3 Pull up the washer fluid filler pipe.
- 4 Remove the air pipe from the front edge of the battery box.
- 5 Pull up the fuse panel in front of the battery (certain variants), see page 233.

### Both sides

- 1 Remove the cover from the rear of the headlight.
- 2 Twist the bulb holder counterclockwise and withdraw the holder from the reflector.
- 3 Change the bulb without touching the glass with your fingers. Insert the bulb holder into the reflector and twist it clockwise until it locks.



*Changing the low beam bulb*

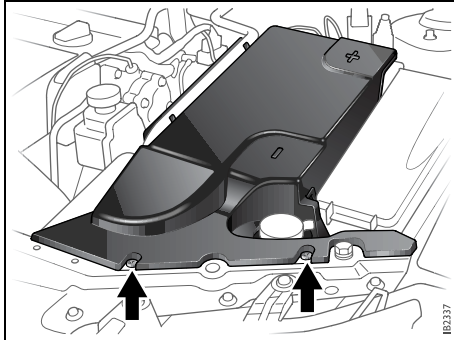
- 4 Refit the cover over the rear of the headlight.

### Left-hand side

- 5 Refit the air pipe to the front of the battery box.
- 6 Refit the washer fluid filler pipe.
- 7 Refit the battery cover.

### NOTICE

Do not fit bulbs with a higher rating than 55 W as this could damage the headlight reflector. Furthermore, the car's wiring is not designed to cope with higher wattages.



Retainers on the battery cover

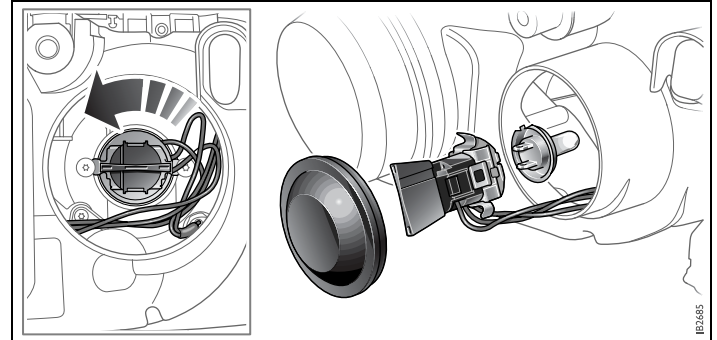
## High beam, halogen

### Left-hand side

- 1 Lift aside the hose running along the side of the battery cover.
- 2 Release the two retainers (a quarter of a turn counterclockwise) in the leading edge of the cover and remove the cover.
- 3 Pull up the washer fluid filler pipe.
- 4 Remove the air pipe from the front edge of the battery box.
- 5 Pull up the fuse panel in front of the battery (certain variants), see page 233.

### Both sides

- 1 Remove the cover from the rear of the headlight.
- 2 Twist the bulb holder counterclockwise and withdraw the holder from the reflector.
- 3 Change the bulb without touching the glass with your fingers. Insert the bulb holder into the reflector and twist it clockwise until it locks.



Changing the high beam bulb

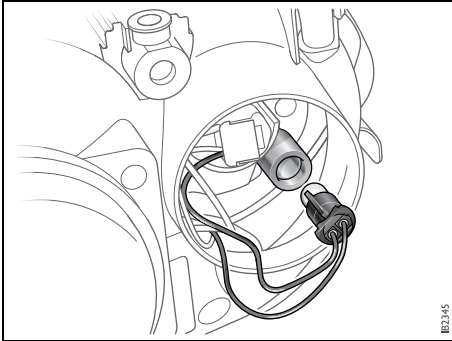
- 4 Refit the cover over the rear of the headlight.

### Left-hand side

- 5 Refit the air pipe to the front of the battery box.
- 6 Refit the washer fluid filler pipe.
- 7 Refit the battery cover.

### NOTICE

Do not fit bulbs with a higher rating than 55 W as this could damage the headlight reflector. Furthermore, the car's wiring is not designed to cope with higher wattages.



## Parking lights

The parking light bulb is located in the same reflector as the main beam bulb.

### Left-hand side:

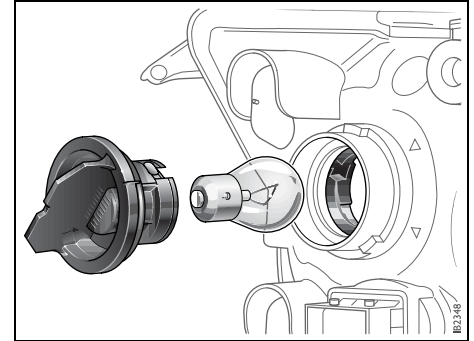
- 1 Lift aside the hose running along the side of the battery cover.
- 2 Release the two retainers on the battery cover and remove the cover.
- 3 Pull up the washer fluid filler pipe.
- 4 Remove the air pipe from the front edge of the battery box.

### Both sides:

- 1 Remove the cover from the rear of the headlight.
- 2 Withdraw the bulb holder from the lamp unit.
- 3 Fit the new bulb.
- 4 Refit the cover over the rear of the headlight.

### Left-hand side:

- 5 Refit the air pipe to the front edge of the battery box.
- 6 Refit the washer fluid filler pipe.
- 7 Refit the battery cover and hose.



## Front turn signal bulbs

### Left-hand side:

- 1 Lift aside the hose running along the side of the battery cover.
- 2 Release the two retainers on the battery cover and remove the cover.
- 3 Pull up the washer fluid filler pipe.
- 4 Remove the air pipe from the front edge of the battery box.

**Both sides:**

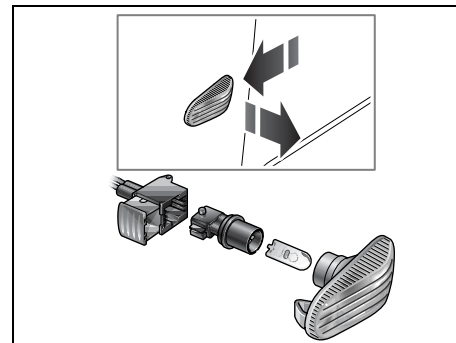
- 1 The bulb holder has a bayonet fitting. Turn the bulb holder counterclockwise and withdraw it.
- 2 The bulb also has a bayonet fitting. Press in the bulb and twist it counterclockwise.
- 3 Fit the new bulb.
- 4 To facilitate fitting, look in through the headlight lens when fitting the bulb. Check that the new bulb is firmly seated.

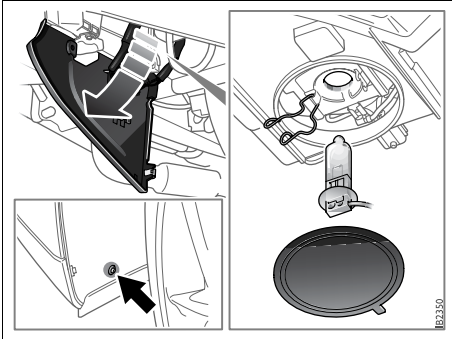
**Left-hand side:**

- 5 Refit the air pipe to the front edge of the battery box.
- 6 Refit the washer fluid filler pipe.
- 7 Refit the battery cover and hose.

**Side-mounted turn signal bulbs**

- 1 Slide the lamp fitting forward so that its rear end can be pulled out.
- 2 Turn the bulb holder counterclockwise and withdraw it from the lamp fitting. Change the bulb.
- 3 To fit, engage the two catches on the rear edge of the lamp fitting with the edge of the opening. Then press in the front edge of the lamp fitting so that the groove in the spring engages the plastic edge.





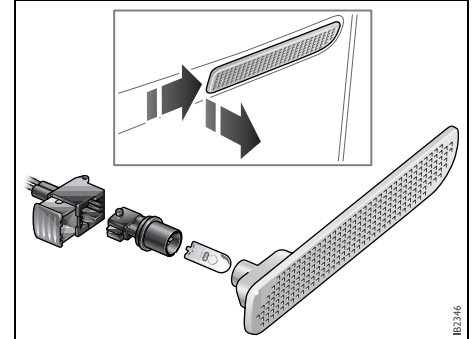
- 1 Undo one screw in the wheel housing. Lower the air shield.
- 2 Remove the protective cover. Release the two spring clips securing the bulb.
- 3 Unplug the connector.
- 4 Change the bulb. Try not to touch the glass part of the bulb with your fingers.

The height of the beam can be adjusted using a screwdriver inserted through the hole in the lower grille adjacent to the lens.

## Front fog lights

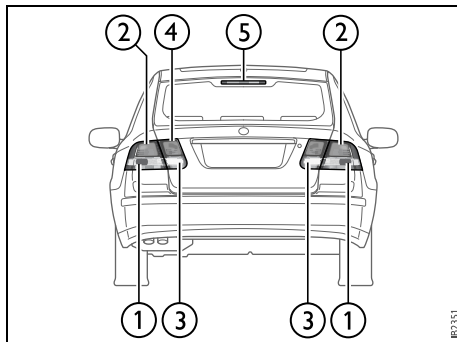
### WARNING

- **Never** crawl under a car that is supported only by a jack. Always use axle stands.
- Refer to the information on jacks on pages 248 and 249.



## Side marker lights

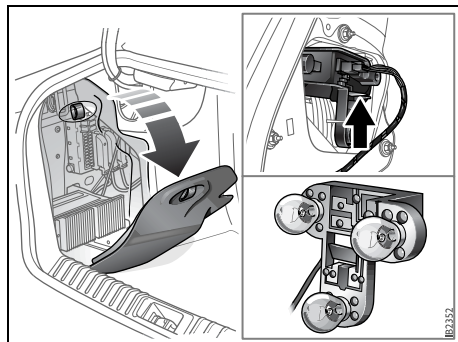
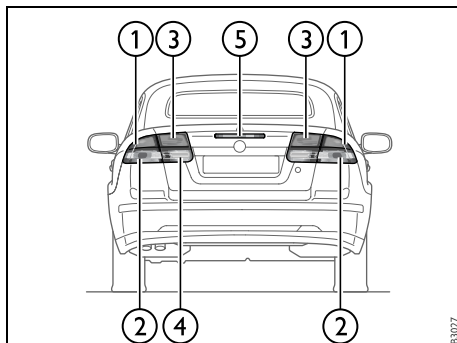
- 1 Slide the lens rearward so that its front part can be pulled out.
- 2 Fit the new bulb.
- 3 When refitting, make sure that the groove in the spring engages the plastic edge of the bumper trim.



**Taillights, Sport Sedan**

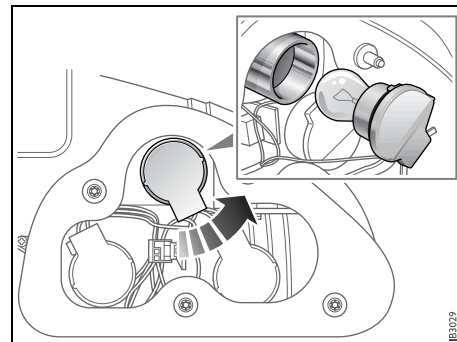
- 1 Turn signals
- 2 Taillights/stop lights
- 3 Reversing lights
- 4 Rear fog light (left-hand side)
- 5 High-mounted stop light

**Taillights, Convertible**



**Stop lights, taillights and turn signal bulbs, Sport Sedan**

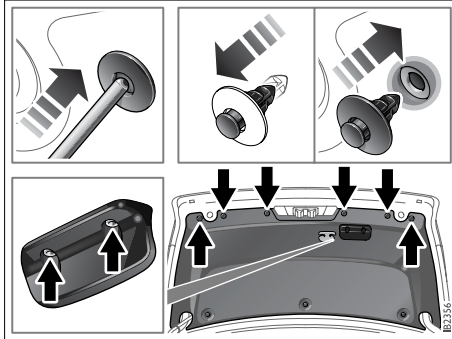
- 1 Lower the cover in the trim behind the lights.  
Right-hand side: Unlock the plastic rivet by depressing the centre no more than 3 mm. Take hold of the collar of the rivet and pull it out. Refer also to page 221.
- 2 Lift the plastic lug on the lamp housing that secures the bulb holder.
- 3 Carefully remove the entire bulb holder unit from the lamp housing. Change the bulb.
- 4 Refit the bulb holder. Press the bulb holder home so that the plastic lug snaps into place.



**Stop lights, taillights and turn signal bulbs, Convertible**

- 1 Remove the cover.
- 2 Carefully remove the bulb holder with the broken bulb. The bulb holder has a bayonet fitting.
- 3 Change the bulb.
- 4 Refit the bulb holder and cover.

If a stop light bulb fails, the adjacent taillight will act as a stop light to ensure traffic safety. Change the broken bulb when possible.

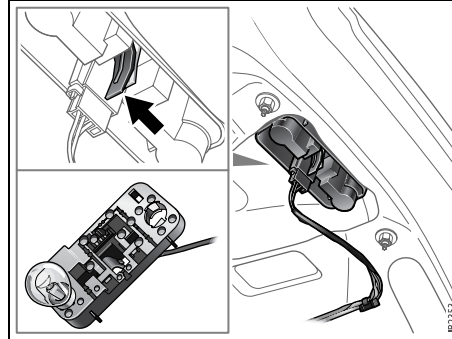


## Reversing lights and rear fog light, Sport Sedan

### Removing the trunk lid trim

- 1 Remove the two screws securing the grab handle to the inside of the trunk lid.
- 2 Unlock the plastic rivets by pressing in the center of each rivet. Pull out the rivets by taking hold of the rivet's collar.

You can use the button on the handle of the screwdriver supplied with the car to unlock the rivets.

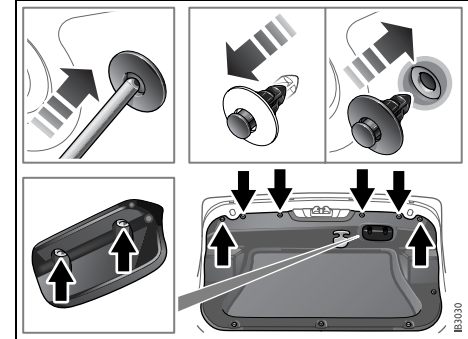


### Changing bulbs

- 1 Press down the plastic lug on the bulb holder.
- 2 Carefully remove the entire bulb holder unit from the lamp housing. Change the bulb.
- 3 Refit the bulb holder. Press the lug so that it snaps into place.

### To refit the trunk lid trim

- 1 Withdraw the center of the rivets.
- 2 Fit the trim in place on the trunk lid.
- 3 Fit the rivets. Lock the rivets in place by pressing the center buttons in until flush with the collar.

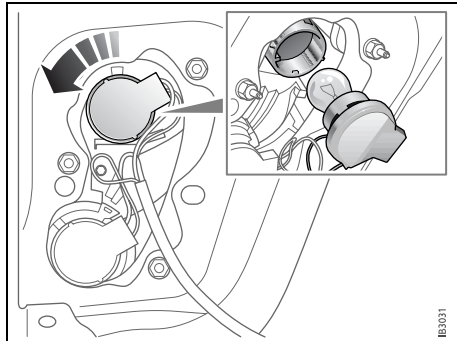


## Reversing lights and rear fog lights, Convertible

### Removing the trunk lid trim

- 1 Remove the two screws securing the grab handle to the inside of the trunk lid.
- 2 Unlock the plastic rivets by pressing in the center of each rivet no more than 3 mm. Pull out the rivets by taking hold of the rivet's collar.

You can use the button on the handle of the screwdriver supplied with the car to unlock the rivets.



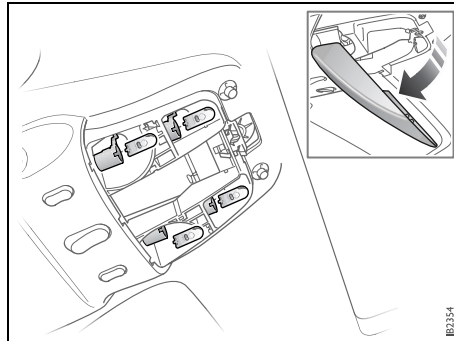
B23031

### Changing bulbs

- 1 Carefully remove the bulb holder with the broken bulb. The bulb holder has a bayonet fitting.
- 2 Fit the new bulb.
- 3 Refit the bulb holder.

### To refit the trunk lid trim

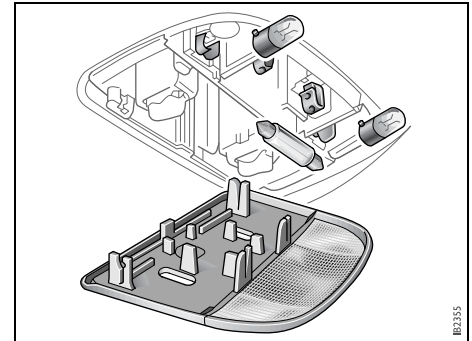
- 1 Withdraw the centre of the rivets.
- 2 Fit the trim in place on the trunk lid.
- 3 Fit the rivets. Lock the rivets in place by pressing the center buttons in until flush with the collar.



B2354

### Dome light, front, Sport Sedan

- 1 Pull down the rear edge of the lens.
- 2 Fit the new bulb.
- 3 Insert the guide lugs on the front edge of the lens and press the lens home.

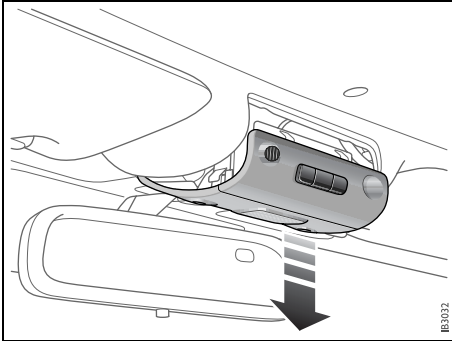


B2355

### Dome light, rear, Sport Sedan

- 1 Remove the entire overhead panel: ease out the trailing end first, and then both sides of the front edge.
- 2 Fit the new bulb.

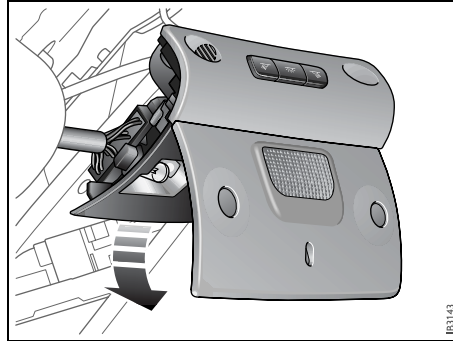




IB3032

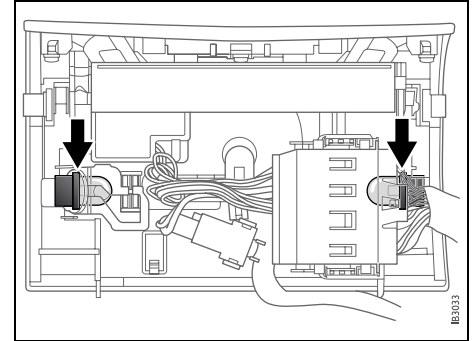
### Dome light, Convertible

- 1 Pull down the rear edge of the light fitting.
- 2 If the center bulb needs replacing, open the hatch over the bulbs. Pull the bulb out of the bulb holder.  
If one of the outer bulbs needs replacing, turn the light fitting round. Change the bulb from the reverse of the lighting fitting. The bulb has a bayonet fitting.
- 3 Position the front edge of the light fitting and press the fitting up towards the windscreen rail.



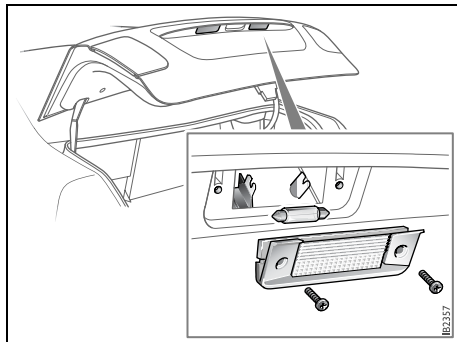
IB3143

*Hatch opened for replacement of centre bulb*



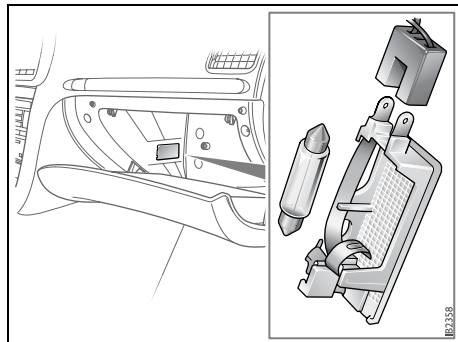
IB3033

*Reverse side of the light fitting. The arrows mark the outer bulbs*



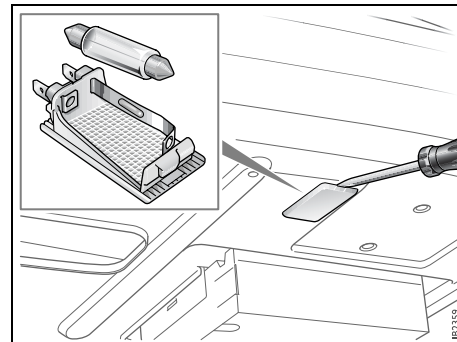
### License plate lighting

- 1 Undo the two screws and remove the lens.
- 2 Fit the new bulb.
- 3 Make sure the seal on the lens is correctly seated.
- 4 Refit the lens and tighten the two screws.



### Glove box lighting (certain variants only)

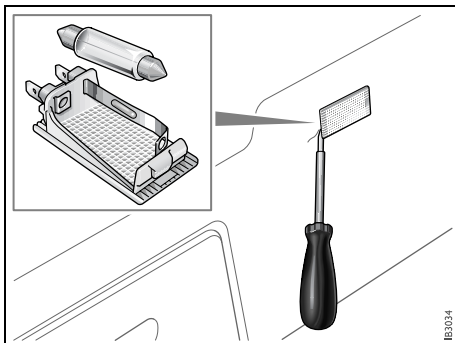
- 1 Remove the lamp housing using a short screwdriver.
- 2 Fit the new bulb.
- 3 Insert the connector side first when refitting the lamp.



### Trunk lighting, Sport Sedan

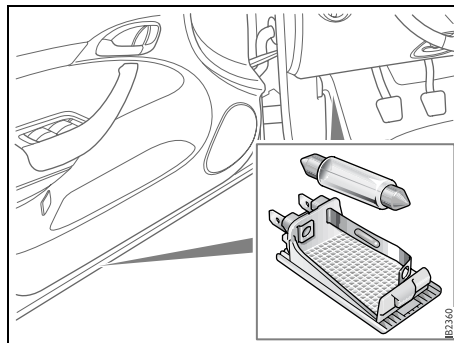
The lamp fitting is located under the parcel shelf.

- 1 Remove the lamp fitting by pulling down one end.
- 2 Fit the new bulb.
- 3 Insert the connector side first when refitting the lamp.



### Trunk lighting, Convertible

- 1 Remove the lamp in the rear end first.
- 2 Change the bulb.
- 3 Insert the connector side first when refitting the lamp.

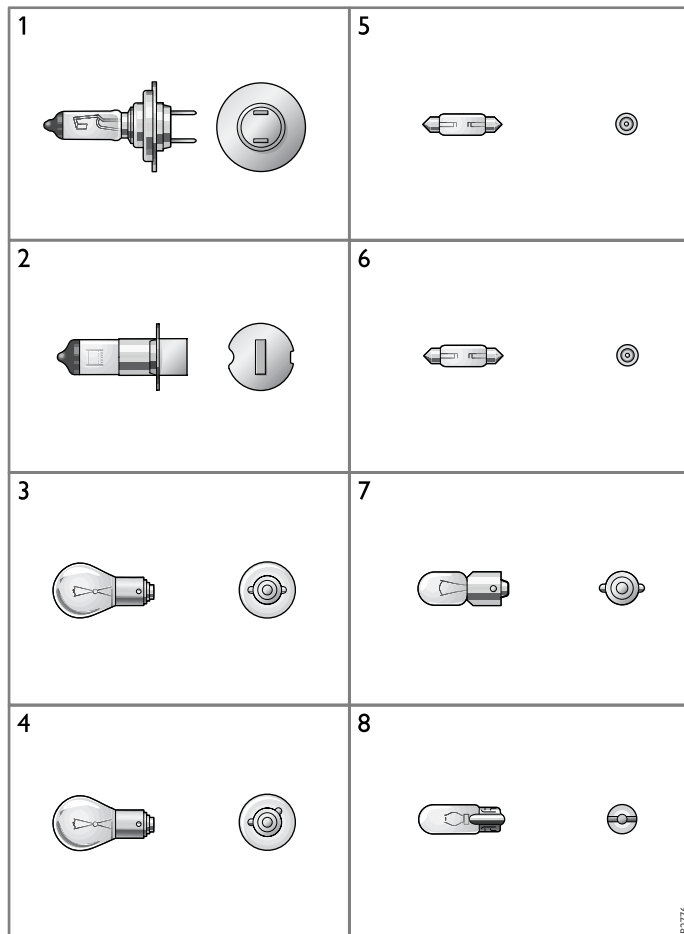


### Courtesy/floor lighting (certain variants only)

- 1 Release one edge of the lamp fitting using a screwdriver.
- 2 Fit the new bulb.
- 3 Insert the connector side first when refitting the lamp.

### Other bulbs

If any other bulbs need changing, we recommend that you visit a Saab dealer.



### Bulb table

No.	Designation	Watt- age	
1	H7	55	Headlight
2	H3	55	Front fog lights
3	P21W	21	Taillights; rear fog light; brake lights; reversing lights
4	PY21W	21	Direction indicator, front/rear
5	R10W	10	Rear dome lighting; courtesy lighting; glove box lighting; trunk lighting, Con- vertible
6	R5W	5	License plate lighting; trunk lighting, Sport Sedan
7	T4W	4	Reading light, rear
8	WY5W/W5W	5	Side-mounted turn signal (yellow); parking lights; front dome lighting

#### NOTICE

Only fit lamps of the specified rating. Lamps of the wrong wattage could damage the wiring harness and electronics.

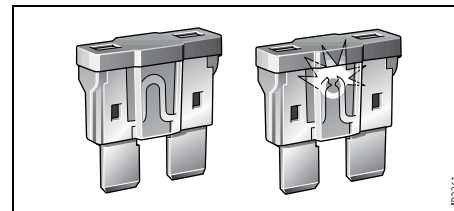
## Fuses

### WARNING

To avoid the risk of short-circuiting and/or fire breaking out in the electrical system, the following should be heeded:

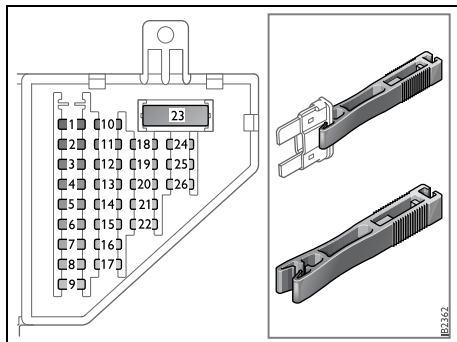
- Always consult an Saab dealer before modifying or adding any electrical equipment. Failure to do so can result in the electrical system being damaged.
- Never replace a fuse with one having a higher rating than specified (see page 229). The color of the fuse indicates its amperage.
- If the same fuse blows repeatedly, have the electrical system checked by an Saab dealer.
- If a MAXI fuse blows, it means that there is a major fault in the electrical system. Have the car checked without delay by an Saab dealer.

The fuses are housed in three fuse panels: one behind a hatch on the left-hand end of the dash, one in the engine bay (additional small unit in front of battery) and one on the left-hand side of the trunk. There is space for spare fuses in the hatch on the left-hand end of the dash.



*Sound fuse / Blown fuse*

To check if a fuse has blown, first remove it from the panel. If the filament is broken, the fuse has blown.



*Fuse panel in end of dash*

Some fuses and relays may be fitted but not connected to the car's electrical system.

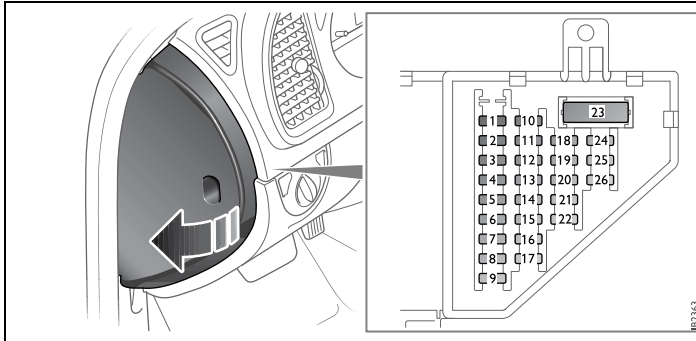
### **MAXI fuses**

The car also has a number of large fuses known as MAXI fuses. These are designed to protect the car's electrical system from being damaged. Each MAXI fuse protects a number of electrical circuits and functions and therefore has a higher rating (amperage) than the standard fuses. No spare MAXI fuses are supplied with the car.

### **NOTICE**

If a MAXI fuse blows, there is a major fault in the electrical system. Have the car checked at a Saab dealer.

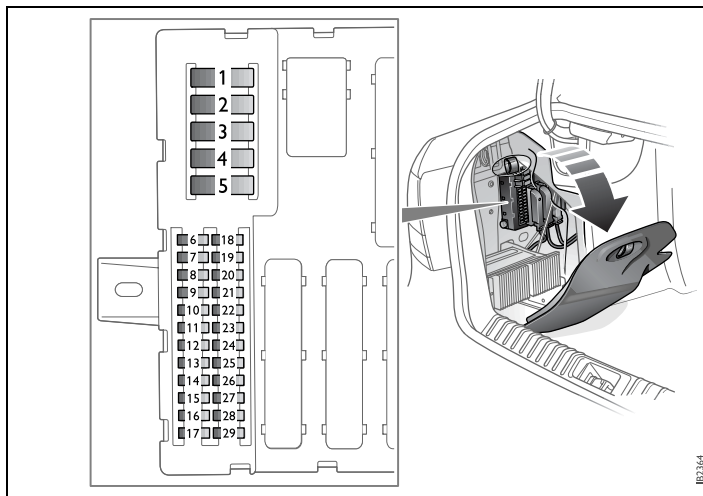
A special tool for removing fuses is provided on the hatch on the left-hand end of the dash. Simply push the tool onto the fuse, squeeze and remove the fuse.



### Fuse panel in end of fascia

No.	Amp.	Function
1	15	Steering wheel lock
2	5	Steering column unit; ignition switch
3	10	Hands-free; CD-player/CD-changer in cabin; SID
4	10	Main instrument unit; manual climate control; automatic climate control (ACC)
5	7.5	Control module in front doors; Park Brake Shift Lock (automatic transmission)
6	7.5	Brake light switch
7	20	Dash fuse panel; fuel filler door
8	30	Control module in passenger front door
9	10	Dash fuse panel
10	30	Trailer socket; electrical socket in storage compartment between seats
11	10	Data link connection (diagnostics)

12	15	Interior lighting incl. glove box
13	10	Accessories
14	20	Radio, sound system I; control panel, Infotainment System
15	30	Control module in driver's door
16	-	-
17	-	-
18	7.5	Manual climate control; fan
19	-	-
20	7.5	Headlight levelling switch
21	7.5	Hands-free; brake light switch; manual climate control; clutch pedal switch
22	30	Cigarette lighter
23	40	Cabin fan
24	7.5	Airbag control module
25	-	-
26	5	Yaw sensor (cars with ESP)
27	-	-



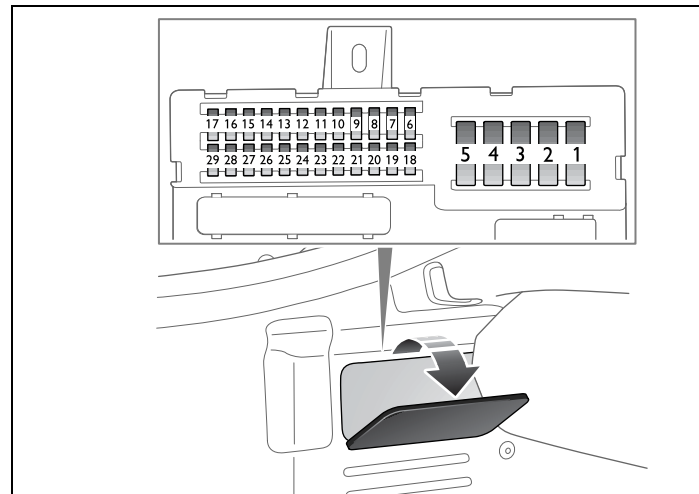
Trunk fuse panel, Sport Sedan

### Trunk fuse panel, left-hand side

No.	Amp.	Function
1-5	MAXI	-
6	30	Control module in left rear door
7	30	Control module in right rear door
8	20	Trailer
9	-	-
10	30	Left-hand brake light; rear right turn signal; right tail-light; right reversing light; high-mounted brake light; trailer lights
11	-	-
12	-	-
13	-	-
14	-	-
15	15	Seat heating, left seat
16	15	Seat heating, right seat
17	7.5	Autodimming rearview mirror; rain sensor
18	15	Sunroof
19	7.5	Telematics (OnStar)
20	7.5	DVD player (navigation system)
21	7.5	Saab Parking Assistance (SPA); control module in rear doors
22	30	Amplifier, sound system III
23	-	-
24	10	Movement sensor; CD changer in trunk (accessory)
25	30	Electrically adjustable driver's seat with memory

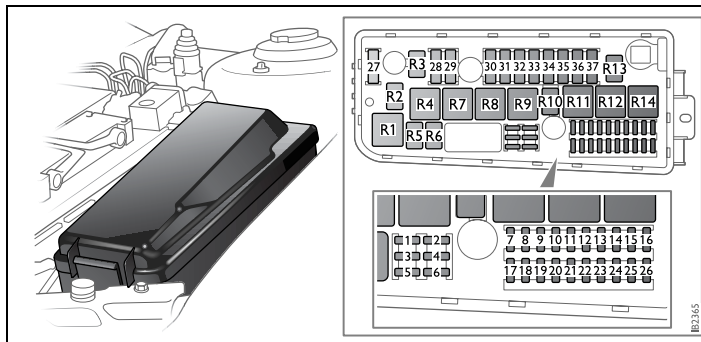


26	30	Right-hand stop light; rear left turn signal; left taillight; rear fog light; left reversing light; license plate lighting; trunk lighting; trailer lights
27	10	<b>Convertible:</b> Lumbar support, electrically adjustable front seat
28	-	-
29	-	-



Trunk fuse panel, Convertible

REARVIEW

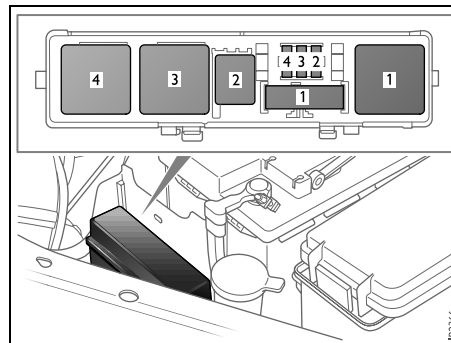


### Fuse panel in engine bay

No.	Amp.	Function
1	-	-
2	10	Engine control module; automatic transmission control module
3	20	Horn
4	10	Engine control module
5	-	-
6	10	Selector lever, automatic transmission
7	-	-
8	-	-
9	-	-
10	-	-
11	-	-
12	-	-
13	-	-

14	-	-
15	30	Washer fluid pump, headlights
16	30	Front right parking light; front right turn signal; left and right side turn signal; right high beam; left low beam; front left fog light
17	30	Windshield wiper motor, low speed
18	30	Windshield wiper motor, high speed
19	20	Parking heater; auxiliary heater
20	10	Headlight levelling
21	-	-
22	30	Washer fluid pump, windshield
23	-	-
24	20	Flash-to-pass
25	20	Amplifier, sound system II
26	30	Front left turn signal; front left parking light; front right fog light; right low beam; left high beam
27	MAXI	
-37		

<b>Relays</b>	
R 1	Washer fluid pump, windshield
R 2	-
R 3	-
R 4	-
R 5	Flash-to-pass
R 6	Horn
R 7	-
R 8	Starter motor
R 9	Windshield wipers ON/OFF
R10	-
R11	Ignition +15
R12	Windshield wipers, high/low speed
R13	-
R14	Washer fluid pump, headlights
R15	-
R16	-



**Fuse panel in front of battery**

No.	Amp.	Function
1	-	-
2	20	Fuel pump; preheated oxygen sensors (lambda probe)
3	10	A/C compressor
4	30	Main relay

<b>Relays</b>	
1	-
2	A/C-compressor
3	Preheated oxygen sensors (lambda probe)
4	Main relay, engine (ECM/EVAP/injectors)

## Tires

Your new vehicle comes with high-quality tires made by a leading tire manufacturer. If you ever have questions about your tire warranty and where to obtain service, see your Saab Warranty and Service Record Booklet for details.

### WARNING

Poor maintained and improperly used tires are dangerous.

- Overloading your tires can cause overheating as a result of too much friction. You could have a blow-out and a serious accident. See "Loading Your Vehicle" on page 243.
- Underinflated tires pose the same danger as overloaded tires. The resulting accident could cause serious injury. Check all tires frequently to maintain the recommended pressure. Tire pressure should be checked when your tires are cold.
- Overinflated tires are more likely to be cut, punctured or broken by a sudden impact – such as when you hit a pothole. Keep tires at the recommended pressure.
- Worn, old tires can cause accidents. If your tread is badly worn, or if your tires have been damaged, replace them.

## Inflation - Tire Pressure

The Tire-Loading Information label shows the correct inflation pressures for your tires when they're cold. "Cold" means your vehicle has been sitting for at least three hours or driven no more than 1 mile (1.6 km).

**Notice: Don't let anyone tell you that underinflation or overinflation is all right. It's not. If your tires don't have enough air (underinflation), you can get the following:**

- **Too much flexing**
- **Too much heat**
- **Tire overloading**
- **Bad wear**
- **Bad handling**
- **Bad fuel economy**

**If your tires have too much air (overinflation), you can get the following:**

- **Unusual wear**
- **Bad handling**
- **Rough ride**
- **Needless damage from road hazards**

Adjust the tire pressure to match the current load and speed of the car (see page 277). The stated tire pressures apply to cold tires, i.e. tires that are the same temperature as the outside air temperature. Tire pressure increases as the tires become warm (e.g. during highway driving) by approximately 0.3 bar (4 psi). When the temperature of the tires changes by 50°F (10°C), the tire pressure will change 0.1 bar (2 psi).

Never reduce the pressure of a hot tire. If the tires are hot when you check them, only increase the pressure, if necessary.

## When to check

Check your tires once a month or more. Don't forget your compact spare tire. It should be at 60 psi (420 kPa).

## How to Check

Use a good quality pocket-type gage to check tire pressure. You can't tell if your tires are properly inflated simply by looking at them. Radial tires may look properly inflated even when they're underinflated.

Be sure to put the valve caps back on the valve stems. They help prevent leaks by keeping out dirt and moisture.

## Tire Inspection and Rotation

Tires should be rotated every 7,500 miles (12 500 km).

Any time you notice unusual wear, rotate your tires as soon as possible and check wheel alignment. Also check for damaged tires or wheels. See "When It Is Time for New Tires" on page 236 and "Wheel Replacement" on page 239 for more information.

The purpose of regular rotation is to achieve more uniform wear for all tires on the vehicle. The first rotation is the most important.

When rotating your tires, always use the correct rotation pattern. Left front tire to left rear. Left rear tire to right front. Right front to right rear. Right rear to left front.

Don't include the compact spare tire in your tire rotation.

After the tires have been rotated, adjust the front and rear inflation pressures as shown on the Tire-Loading Information label. Make certain that all wheel nuts are properly tightened. See page 249.

### WARNING

Rust or dirt on a wheel, or on the parts to which it is fastened, can make wheel nuts become loose after a time. The wheel could come off and cause an accident. When you change a wheel, remove any rust or dirt from places where the wheel attaches to the vehicle. In an emergency, you can use a cloth or a paper towel to do this; but be sure to use a scraper or wire brush later, if you need to, to get all the rust or dirt off. See "Changing a tire" on page 248.

## Flat spotting

All tires get hot, especially on long journeys or when the car is driven hard. After the car has been parked with hot tires and the tires have cooled down, a flat spot can form in the tire, where it is in contact with the ground. The same can occur if the car has not been moved for a long time.

Flat spots can cause vibration that can be felt through the steering wheel, similar to that experienced when the wheels need balancing.

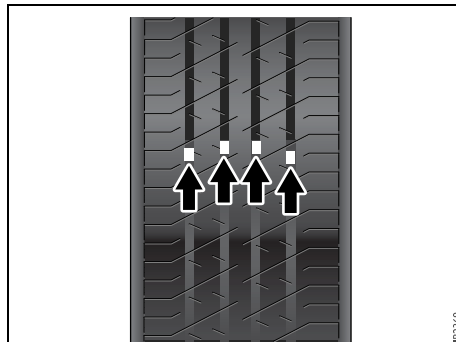
Flat spots of this type disappear once the tires get hot again, usually after 10–15 miles (20–25 km) of driving at cruising speed. If the outdoor temperature is low it takes a longer distance.

## When It Is Time for New Tires

One way to tell when it's time for new tires is to check the treadwear indicators, which will appear when your tires have only 1/16 inch (1.6 mm) or less of tread remaining.

You need a new tire if any of the following statements are true:

- You can see the indicators at three or more places around the tire.
- You can see cord or fabric showing through the tire's rubber.
- The tread or sidewall is cracked, cut or snagged deep enough to show cord or fabric.
- The tire has a bump, bulge or split.
- The tire has a puncture, cut or other damage that can't be repaired well because of the size or location of the damage.



*Treadwear indicator*

## Treadwear indicators

The tires incorporate wear indicators in the form of smooth, treadless strips across the width, which become visible when only 2/32" (1.6 mm) of tread remains. As soon as the indicators become visible, new tires should be fitted without delay.

**Make sure you are familiar with the legal limit for minimum tread depth in your country and also any regulations governing the use of winter (snow) tires.**

## Buying New Tires

To find out what kind and size of tires you need, look at the Tire-Loading Information label.

If you wish to fit other tires or wheels than those supplied with the car, consult your Saab dealer first as to the possibilities available.

Wheels/tires combinations that are not approved by Saab can negatively affect the car's directional stability, steering and braking in both wet and dry conditions.

The wheels and tires have been carefully matched to the characteristics of the car and play a key role in its outstanding roadholding and handling.

Do not take it for granted that a wheel/tire combination will work in the best possible way, just because it can be fitted to the car.

To ensure that the speedometer is as accurate as possible it should be reprogrammed if wheels of a different dimension are fitted. Contact a Saab dealer.

Because of front wheel drive, the front tires tend to wear faster than the rear ones. New tires should always be fitted in pairs, so that tires on the same axle have the same amount of tread.

Store wheels lying flat or hanging – **never** standing upright.

## NOTICE

**Always** consult your Saab dealer before changing the car's wheels or tires on your Saab.

Wide wheels and tires with side walls that are too low can:

- be damaged in potholes, etc.
- cause springs, shock absorbers and wheel bearings and body mountings to be overloaded.
- affect the function of the Electronic Stability Program (ESP).

The speed and load limits of the tires must not be exceeded; see page 242.

Wheels larger than 17" must not be fitted on the Saab 9-3 for reasons above. The permissible offset is 1.61 inch (41 mm).

## WARNING

Mixing tires could cause you to lose control while driving. If you mix tires of different sizes or types (radial and bias-belted tires), the vehicle may not handle properly, and you could have a crash. Using tires of different sizes may also cause damage to your vehicle. Be sure to use the same size and type tires on all wheels. It's all right to drive with your compact spare temporarily, it was developed for use on your vehicle. See "Compact spare" on page 246.

## WARNING

If you use bias-ply tires on your vehicle, the wheel rim flanges could develop cracks after many miles of driving. A tire and/or wheel could fail suddenly, causing a crash. Use only radial-ply tires with the wheels on your vehicle.

## Uniform Tire Quality Grading

Quality grades can be found where applicable on the tire sidewall between tread shoulder and maximum section width. For example:

### **Treadwear 200 Traction AA Temperature A**

The following information relates to the system developed by the United States National Highway Traffic Safety Administration, which grades tires by treadwear, traction and temperature performance. (This applies only to vehicles sold in the United States.) The grades are molded on the sidewalls of most passenger car tires. The Uniform Tire Quality Grading system does not apply to deep tread, winter-type snow tires, space-saver or temporary use spare tires, tires with nominal rim diameters of 10 to 12 inches (25 to 30 cm), or to some limited-production tires.

While the tires available on General Motors passenger cars and light trucks may vary with respect to these grades, they must also conform to federal safety requirements and additional General Motors Tire Performance Criteria (TPC) standards.

### **Treadwear**

The treadwear grade is a comparative rating based on the wear rate of the tire when tested under controlled conditions on a specified government test course. For example, a tire graded 150 would wear one and a half (1.5) times as well on the government course as a tire graded 100. The relative performance of tires depends upon the actual conditions of their use, however, and may depart significantly from the norm due to variations in driving habits, service practices and differences in road characteristics and climate.

### **Traction – AA, A, B, C**

The traction grades, from highest to lowest, are AA, A, B, and C. Those grades represent the tire's ability to stop on wet pavement as measured under controlled conditions on specified government test surfaces of asphalt and concrete. A tire marked C may have poor traction performance. Warning: The traction grade assigned to this tire is based on straight-ahead braking traction tests, and does not include acceleration, cornering, hydroplaning, or peak traction characteristics.

### **Temperature – A, B, C**

The temperature grades are A (the highest), B, and C, representing the tire's resistance to the generation of heat and its ability to dissipate heat when tested under controlled conditions on a specified indoor laboratory test wheel. Sustained high temperature can cause the material of the tire to degenerate and reduce tire life, and excessive temperature can lead to sudden tire failure. The grade C corresponds to a level of performance which all passenger car tires must meet under the Federal Motor Vehicle Safety Standard No. 109. Grades B and A represent higher levels of performance on the laboratory test wheel than the minimum required by law.

Warning: The temperature grade for this tire is established for a tire that is properly inflated and not overloaded. Excessive speed, underinflation, or excessive loading, either separately or in combination, can cause heat buildup and possible tire failure.



## Wheel Alignment and Tire Balance

The wheels on your vehicle were aligned and balanced carefully at the factory to give you the longest tire life and best overall performance.

Scheduled wheel alignment and wheel balancing are not needed. However, if you notice unusual tire wear or your vehicle pulling one way or the other, the alignment may need to be reset. If you notice your vehicle vibrating when driving on a smooth road, your wheels may need to be rebalanced.

## Wheel Replacement

Replace any wheel that is bent, cracked or badly rusted or corroded. If wheel nuts keep coming loose, the wheel, wheel bolts and wheel nuts should be replaced. If the wheel leaks air, replace it (except some aluminum wheels, which can sometimes be repaired). See your dealer if any of these conditions exist.

Your dealer will know the kind of wheel you need.

Each new wheel should have the same load-carrying capacity, diameter, width, offset and be mounted the same way as the one it replaces.

If you need to replace any of your wheels, wheel bolts or wheel nuts, replace them only with new Saab original equipment parts. This way, you will be sure to have the right wheel, wheel bolts and wheel nuts for your vehicle.

### WARNING

Using the wrong replacement wheels, wheel bolts or wheel nuts on your vehicle can be dangerous. It could affect the braking and handling of your vehicle, make your tires lose air and make you lose control. You could have a collision in which you or others could be injured. Always use the correct wheel, wheel bolts and wheel nuts for replacement.

**Notice:** The wrong wheel can also cause problems with bearing life, brake cooling, speedometer or odometer calibration, headlamp aim, bumper height, vehicle ground clearance and tire or tire chain clearance to the body and chassis. See “Changing a tire” on page 248.

### WARNING

When fitting just **one** new pair of tires, these should be fitted to the rear wheels, as these are more critical to the directional stability of the car (e.g. on braking or in a skid). The existing rear wheels should therefore be moved to the front.

## Used Replacement Wheels

### WARNING

Putting a used wheel on your vehicle is dangerous. You can't know how it's been used or how far it's been driven. It could fail suddenly and cause a crash. If you have to replace a wheel, use a new GM original equipment wheel.

## Tire Chains



If your vehicle has 225/45 R17 size tires, don't use tire chains, there's not enough clearance.

Tire chains used on a vehicle without the proper amount of clearance can cause damage to the brakes, suspension or other vehicle parts. The area damaged by the tire chains could cause you to lose control of your vehicle and you or others may be injured in a crash.

Use another type of traction device only if its manufacturer recommends it for use on your vehicle and tire size combination and road conditions. Follow that manufacturer's instructions. To help avoid damage to your vehicle, drive slowly, readjust or remove the device if it's contacting your vehicle, and don't spin your wheels.

If you do find traction devices that will fit, install them on the front tires.

**Notice:** If your vehicle does not have 225/45R17 size tires, use tire chains only where legal and only when you must. Contact your Saab dealer regarding suitable snow chains. Install them on the front tires and tighten them as tightly as possible with the ends securely fastened. Drive slowly and follow the chain manufacturer's instructions. If you can hear the chains contacting your vehicle, stop and retighten them. If the contact continues, slow down until it stops. Driving too fast or spinning the wheels with chains on will damage your vehicle.

## If a Tire Goes Flat

It's unusual for a tire to "blowout" while you're driving, especially if you maintain your tires properly. If air goes out of a tire, it's much more likely to leak out slowly. But if you should ever have a "blowout", here are a few tips about what to expect and what to do:

If a front tire fails, the flat tire will create a drag that pulls the vehicle toward that side. Take your foot off the accelerator pedal and grip the steering wheel firmly. Steer to maintain lane position, and then gently brake to a stop well out of the traffic lane.

A rear blowout, particularly on a curve, acts much like a skid and may require the same correction you'd use in a skid. In any rear blowout, remove your foot from the accelerator pedal. Get the vehicle under control by steering the way you want the vehicle to go. It may be very bumpy and noisy, but you can still steer. Gently brake to a stop – well off the road if possible.

If a tire goes flat, the next part shows how to use your jacking equipment to change a flat tire safely.

## Tire Sidewall Labeling

Useful information about a tire is molded into it's sidewall.

**Tire size:** The tire size ia a combination of letters and numbers used to define a particular tire's width, height, aspect ratio, construction type and service description.

### Department of Transportation (DOT):

The Department of Transportation (DOT) code indicates that the tire is in compliance with the U.S. Department of Transportation Motor Vehicle Safety standards.

**Tire Identification Number (TIN):** The letters and numbers following DOT code are the Tire Identification Number (TIN). The TIN shows the manufacturer and plant code, tire size, and date the tire was manufactured. The TIN is molded onto both sides of the tire.

**Tire Ply Material:** The type of cord and number of plies in the sidewall and under the tread.

## Uniform Tire Quality Grading (UTQG):

Tire manufacturers are required to grade tires based on the performance factors: treadwear, traction and temperature resistance. For more information see "Uniform Tire Quality Grading" on page 238.

**Maximum Cold Inflation Load Limit:** Maximum load that can be carried and the maximum pressure needed to support that load. For information on recommended tire pressure see "Recommended lowest tire pressure, cold tires" on page 277 and "Loading Your Vehicle" on page 243.

## Tire Size

The following illustration shows an example of a typical passenger car tire size.

<b>215</b>	<b>/</b>	<b>55</b>	<b>R</b>	<b>16</b>	<b>93</b>	<b>H</b>
a		b	c	d	e	f

- a Tire Width
- b Aspect Ratio
- c Belt Rating
- d Rim diameter
- e Load range
- f Speed rating

**Tire Width:** The three-digit number indicates the tire section width in millimeters from sidewall to sidewall.

**Aspect ratio:** A two-digit number that indicates the tire height-to-width measurements. For example, if the tire size aspect ratio is "55", as shown in item "C" of the illustration, it would mean that the tire's sidewall is 55% as high as it is wide.

**Belt Rating:** A letter code is used to indicate the type of ply construction in the tire. The letter "R" means radial ply construction; the letter "D" means diagonal or bias ply construction; and the letter "B" means belted-bias ply construction.

**Rim Diameter:** Diameter of the wheel in inches.

**Load range:** The load range represents the load carry capacity a tire is certified to carry.

**Speed Rating:** The maximum speed that a tire is certified to carry a load. Speed ratings range from "A" to "Z".

## Tire markings

An example of the meaning of the different markings in a tire size is given below for a tire size of 225/45 R17 94H:

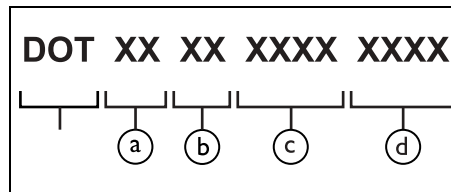
- 225 Tire section width, mm
- 45 Aspect ratio, i.e. the section height as a percentage of the section width
- R Radial ply
- 17 Wheel rim diameter 17 in at bead seats
- 94 Tire load index
- H Speed rating

### *Tire load indices*

- 91 Tire approved for max. 1355 lbs. (615 kg)
- 93 Max. 1433 lbs. (650 kg)
- 94 Max. 1477 lbs. (670 kg)

### *Speed ratings*

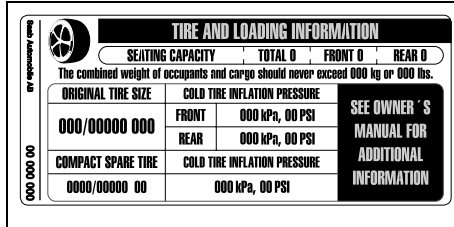
- Q Tire approved for speeds up to 100 mph (160 km/h)
- S Max. 112 mph (180 km/h)
- T Max. 118 mph (190 km/h)
- H Max. 130 mph (210 km/h)
- V Max. 149 mph (240 km/h)
- W Max. 168 mph (270 km/h)
- Y Max. 186 mph (300 km/h)



### *TIN-code*

- a Manufacturer's Identification Mark
- b Tire Size
- c Tire Type Code
- d Date of Manufacture

## Loading Your Vehicle



*This label can only be found on vehicles sold in the U.S. Vehicles sold in Canada have the tire information label in the glove box, see page 278.*

This is an example of what your vehicle's Tire-Loading Information/Certification label might look like. It is located on the B-pillar and shows how much weight your vehicle may properly carry. The label tells you the proper size, and recommended inflation pressures for the tires on your vehicle. It also gives you important information about the number of people that can be in your vehicle and the total weight that you can carry. This weight is called the Vehicle Capacity Weight, and includes the weight of all occupants, cargo and all nonfactory-installed options.

## Tire Terminology and Definitions

**Air Pressure:** The amount of air inside the tire pressing outward on each square inch of the tire. Air pressure is expressed in pounds per square inch (psi) or kilopascal (kPa).

**Accessory Weight:** This means the combined weight of optional accessories, for example, automatic transmission, power steering, power brakes, power windows, power seats, radio and air conditioning.

**Aspect Ratio:** The relationship of a tire's height to its width.

**Belt:** A rubber coated layer of cords that is located between the plies and the tread. Cords may be made from steel or other reinforcing materials.

**Bias Ply Tire:** A pneumatic tire in which the ply cords that extend to the beads are laid at alternate angles substantially less than 90 degrees to the centerline of the tread.

**Cold Inflation Pressure:** The amount of air pressure in a tire, measured in pounds per square inch (psi) or kilopascal (kPa), before a tire has built up heat from driving. See "Inflation - Tire Pressure" on page 234.

**Curb weight:** This means the weight of a motor vehicle with standard and optional equipment including the maximum capacity of fuel, oil and coolant, without passengers and cargo.

**DOT Markings:** A code molded into the sidewall of a tire signifying that the tire is in compliance with the U.S. Department of Transportation motor vehicle safety standards. The DOT code includes the Tire Identification Number (TIN), an alphanumeric designator which can also identify the tire manufacturer, production plant, brand and date of production.

**GVWR:** Gross Vehicle Weight Rating see "Loading Your Vehicle" on page 243.

**GAWR FRT:** Gross Axle Weight Rating for the front axle, see "Loading Your Vehicle" on page 269.

**GAWR RR:** Gross Axle Weight Rating for the rear axle, see "Loading Your Vehicle" on page 243.

**Intended Outboard Sidewall:** The side of an asymmetrical tire that must always face outward when mounted on a vehicle.

**Kilopascal (kPa):** The metric unit for air pressure. There are 6.9 kPa to one psi.

**Light Truck (LT-Metric) Tire:** A tire used on light duty trucks and some multipurpose passenger vehicles.

**Load Index:** An assigned number ranging from 1 to 279 that corresponds to the load carrying capacity of a tire.

**Maximum Load rating:** The load rating for a tire at the maximum permissible inflation pressure for that tire.

**Maximum Loaded Vehicle Weight:** The sum of curb weight; accessory weight; vehicle capacity weight; and production options weight.

**Maximum Permissible Inflation Pressure:** The maximum cold inflation pressure to which a tire may be inflated.

**Normal occupant weight:** The number of occupants a vehicle is designed to seat multiplied by 150 pounds (68 kg). See "Loading Your Vehicle" on page 243.

**Occupant Distribution:** Designated seating positions.

**Outward Facing Sidewall:** The side of an asymmetrical tire that has a particular side that faces outward when mounted on a vehicle. The side of the tire that contains a white-wall bears white lettering or bears manufacturer, brand and or model name molding on the other sidewall of the tire.

**Passenger (P-Metric) Tire:** A tire used on passenger cars and some light duty trucks and multipurpose vehicles.

**Recommended Inflation Pressure:** Vehicle manufacturer's recommended tire inflation pressure shown on the tire placard, see "Inflation - Tire Pressure" on page 234 and "Loading Your Vehicle" on page 243.

**Radial Ply Tire:** A pneumatic tire in which the ply cords that extend to the beads are laid at substantially 90 degrees to the centerline of the tread.

**Rim:** A metal support for a tire or a tire and tube assembly upon which the tire beads are seated.

**Sidewall:** The portion of a tire between the tread and the bead.

**Speed rating:** An alphanumeric code assigned to a tire indicating the maximum speed at which a tire can operate.

**Traction:** The friction between the tire and the road surface. The amount of grip provided.

**Treadwear Indicators:** Narrow bands, sometimes called "wear bars", that show across the tread of a tire when only 2/32 inch of tread remains. See "When It Is Time for New Tires" on page 236.

**Tread Width:** The width of the tire's tread.

**UTQGS:** Uniform Tire Quality Grade Standards, a tire information system that provides consumers with ratings for a tire's traction, temperature and treadwear. Ratings are determined by tire manufacturers using government testing procedures. The ratings are molded into the sidewall of the tire. See "Uniform Tire Quality Grading" on page 238.

**Vehicle Capacity Weight:** Is the number of designated seating positions multiplied by 150 pounds (68 kg) plus the rated cargo load. See "Loading Your Vehicle" on page 243.

**Vehicle Maximum Load on the Tire:** Load on an individual tire due to curb weight, accessory weight, occupant weight and cargo weight.

**Vehicle Placard:** A label permanently attached to a vehicle showing original equipment tire size and the recommended cold inflation pressure. See "Loading Your Vehicle" on page 243.

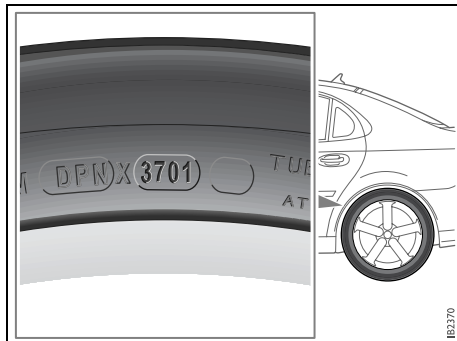
## Steps for Determining Correct Load Limit

- 1 Locate the statement "The combined weight of occupants and cargo should never exceed XXX pounds" on your vehicle's placard.
- 2 Determine the combined weight of the driver and passengers that will be riding in your vehicle.
- 3 Subtract the combined weight of the driver and passengers from XXX kilograms or XXX pounds.
- 4 The resulting figure equals the available amount of cargo and luggage load capacity. For example, if the "XXX" amount equals 1400 lbs. and there will be five 150 lb. passengers in your vehicle, the amount of available cargo and luggage load capacity is 650 lbs.  $(1400 - 750 (5 \times 150) = 650 \text{ lbs.})$ .
- 5 Determine the combined weight of luggage and cargo being loaded on the vehicle. That weight may not safely exceed the available cargo and luggage load capacity calculated in Step 4.
- 6 If your vehicle will be towing a trailer, load from your trailer will be transferred to your vehicle. Consult this manual to determine how this reduces the available cargo and luggage load capacity of your vehicle.

## Winter tires

Winter (snow) tires are recommended for winter climates where the majority of your driving will be done on snow and ice. Winter tires should be fitted to all four wheels to maintain a proper balance. Your Saab dealer can advise you of the correct size tire for your car (if different from the original size) and also supply Saab approved winter tires pre-mounted on steel or alloy rims.

Winter tires normally use a different speed rating compared to summer/all season tires. Make sure not to exceed the stated speed rating on the tires you use.



*Date code*

### Tire date code

Tires should be regarded as perishable goods. As the tires age, the rubber becomes progressively harder, and the roadholding ability of the tires diminishes. This is particularly true on winter tires.

Tires have a code that specifies their date of manufacture. The first two digits denote the week number and the last two digits the year.

Accordingly, a date code of 3701 signifies that the tire was manufactured in week 37, 2001.

## Compact spare



### WARNING

The spare tire or punctured tire must be stowed under the trunk floor, and secured in place with the retaining nut.

The compact spare is light and easy to handle when changing the tire. Its use is only permitted when a standard tire has sustained a puncture. The maximum life of the tire is only just over 2,000 miles (3,500 km).

**Do not exceed 50 mph (80 km/h) with the compact spare fitted.**

The tire pressure should be 60 psi (420 kPa). Put the punctured tire in the spare wheel well under the trunk floor.

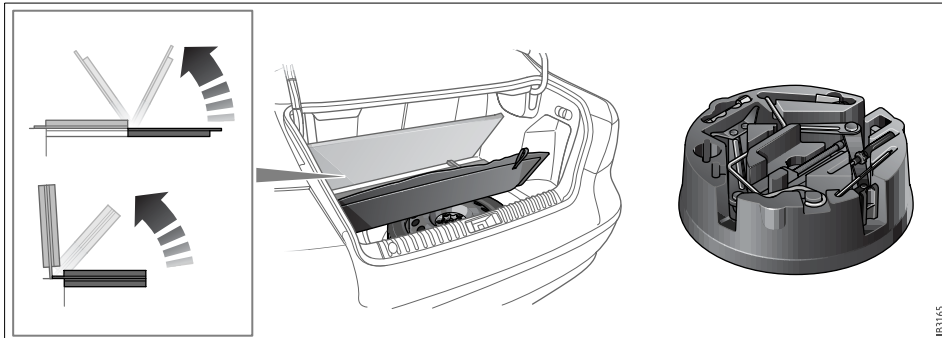
“Driving with the compact spare tire”, see page 193.

Have the standard tire repaired and refitted as soon as possible.

The spare tire, the tools and the jack with its crank are carried under a panel in the trunk. Fold the carpeting forward to ease access to the tools and spare tire.

The screwdriver handle has a “button” for removing plastic rivets. This type of rivet must be removed when changing the light bulb in the trunk lid (see page 221).



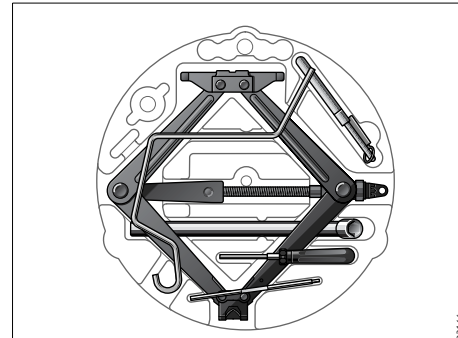


### NOTICE

To avoid damaging an alloy wheel with a flat tire, this can be placed outside up in the spare-wheel well but **only** while driving to the closest workshop.

A general rule is that all heavy loads must be well secured in the luggage compartment (see page 143).

Your Saab is equipped with a trip computer and you can use its "Speed warning" function, to monitor driving speed since you must not exceed 50 mph (80 km/h).



*Tools under a panel in the trunk*

## Changing a tire

### WARNING

Lifting a vehicle and getting under it to do maintenance or repairs is dangerous without the appropriate safety equipment and training. The jack provided with your vehicle is designed only for changing a flat tire. If it is used for anything else, you or others could be badly injured or killed if the vehicle slips off the jack. Use the jack provided with your vehicle only for changing a flat tire.

Changing a tire can be dangerous. The vehicle can slip off the jack and roll over or fall on you or other people. You and they could be badly injured or even killed. Find a level place to change your tire. To help prevent the vehicle from moving:

- 1 Set the parking brake firmly.
- 2 If you have an automatic transmission, put the shift lever in PARK (P). For a manual transmission, leave the car in gear (1st or REVERSE (R)).
- 3 Turn off the engine and do not restart while the vehicle is raised.
- 4 Do not allow passengers to remain in the vehicle.

To be even more certain the vehicle won't move, you should put blocks at the front and rear of the tire farthest away from the one being changed. That would be the tire, on the other side, at the opposite end of the vehicle.

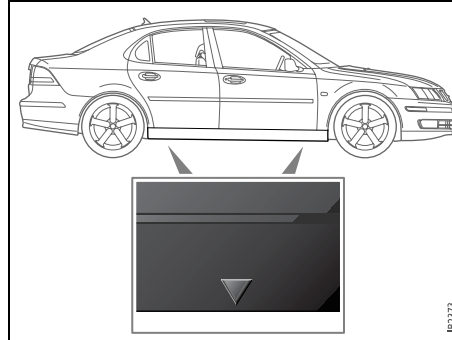
- The car jack is designed solely for use in changing a tire or fitting snow chains. **It must not be used to support the car during repair work or servicing.**
- **Never** crawl under a car that is supported only by a jack. Always use axle stands.
- Raising your vehicle too high or with the jack improperly positioned can damage the vehicle and even make the vehicle fall. To help avoid personal injury and vehicle damage, be sure to fit the jack lift head into the proper location before raising the vehicle, and raise the vehicle only far enough off the ground so there is enough room for the spare tire to fit (no more than 25 mm or 1 inch clearance between the ground and the bottom of the tire).
- Switch on the hazard warning lights if the car is on a road.

- The jack should be stored correctly under the carpeting in the trunk. If it lies loose in the car, it could throw forward and cause personal injury in the event of a crash or if the car rolls over.
- Grit, salt and rust can clog the inner threads of the wheel bolts if the car has been driven for several years exclusively with alloy wheels. If steel wheels are being installed, the bolt hole threads in the brake hubs should be cleaned before the thinner steel wheels are fitted. It may otherwise not be possible to achieve the correct clamping force, despite tightening the wheel bolts to the correct torque.

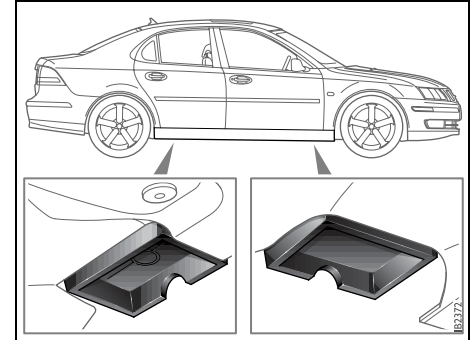
When the car has to be lifted, the jack must be positioned at one of the four jacking points (front or rear) under the sill members. If a floor jack is used, the lifting plate must be positioned under the normal jacking points, see illustration. If the car is equipped with a towbar, the jack can also be placed under this.

### NOTICE

Apply the jack only to the jacking points indicated on the body.



*Marking of jacking points*



*Jacking points*

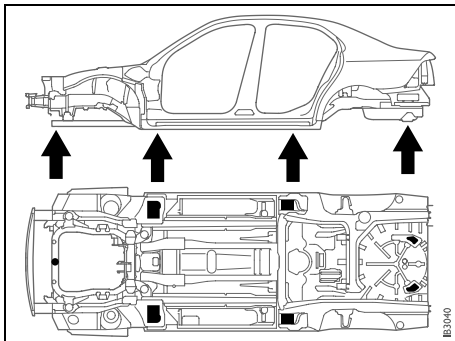
- 1 Wind the jack up to a suitable height before placing it under the jacking point. Each jacking point is indicated by an arrow on the sill (see illustration). Make sure that the jack fully engages the jacking point in the underside of the sill member and that the entire foot of the jack is steady and flat on the ground. The jack must not stand on snow, ice or similar. Wind up the jack until it just begins to lift the car.

- 2 It is not necessary to remove the wheel cover. If, none the less, you wish to remove the wheel cover, take hold of the outer edge and pull it straight out. Loosen the wheel bolts half a turn.
- 3 Wind the jack to raise the wheel clear of the ground. Remove the wheel bolts and lift off the wheel.

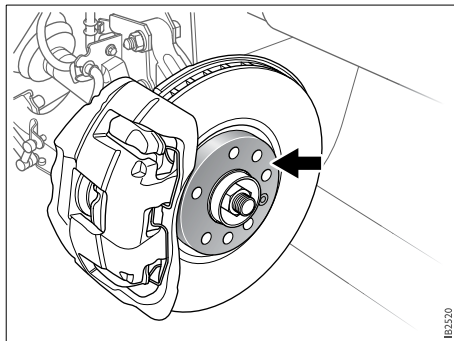
- 4 Clean any rust or dirt from the contact surfaces between the wheel and brake disc. Do not wipe away the grease in the wheel hub.
- 5 Add a thin layer of grease on the bolts before fitting, see page 251. Fit the wheel and screw in the bolts in the sequence shown on page 251 (opposite pairs). Tighten the bolts enough for the bolts and wheel to be seated correctly.
- 6 Lower the car and tighten the wheel bolts to torque in sequence as shown on the following page.

#### **Tightening torque:**

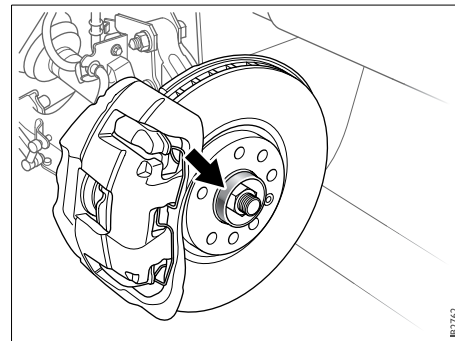
Light-alloy wheels: 80 ft.lb. (110 Nm).  
Steel wheels: 80 ft.lb. (110 Nm).



Jacking points for floor jack



Clean any rust or dirt from the contact surfaces between the wheel and brake disc.



Do not wipe away the grease in the wheel hub.

### NOTICE

- Do not overtighten the bolts using a impact wrench: not only can this damage the wheels but it can also make it impossible to undo the bolts using the wheel wrench in the car's toolkit.
- When refitting a wheel cover, make sure that the valve protrudes through the marked recess in the wheel cover.

7 Retouching the wheel bolts after twenty or so miles.

#### Tightening torque:

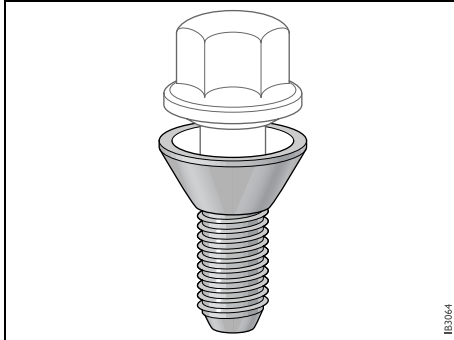
Light-alloy wheels: 80 ft.lb. (110 Nm).

Steel wheels: 80 ft.lb. (110 Nm).

We advise against using wheels with large ventilation slots in winter, as the brake components are then more exposed to slush, road salt and grit.

If you fit wheels of a different dimension, the speedometer can be reprogrammed to ensure it is as accurate as possible. Contact a Saab dealer.

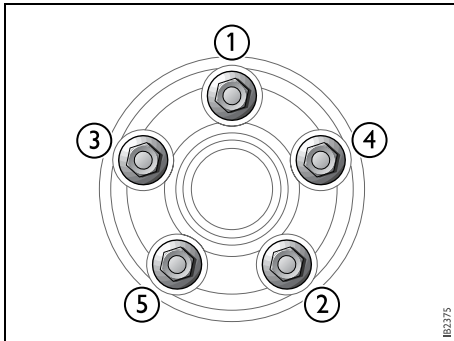
**Driving with tire chains, see page 182**



IB3064

*Grease the surfaces indicated with a thin layer of grease*

*Tightening sequence, wheel bolts*



IB2375

## Safety belts

### ⚠ WARNING

If the car is involved in a crash, the safety belts, belt pretensioners and other associated components must be inspected at a Saab dealer.

Never make any alterations or repairs to the safety belts yourself but visit a Saab dealer.

Check the function of the safety belts regularly as follows:

- Hold the diagonal strap and pull it sharply. The safety belt should lock and it should not be possible to withdraw it further.

Check the anchorage points in the floor. They must not have suffered rust damage. If a belt is worn or has any fraying edges, it should be replaced.

Safety belts must not come into contact with substances such as polishes, oil or chemicals. If the belts get dirty, wash them with warm water and a detergent or have them replaced.

## Upholstery and trim

To remove fluff and hairs from the seats, door armrests and headlining, use a vacuum cleaner, a moist lint-free cloth, or a clothes brush. Remove spots and dirt using a cloth moistened with lukewarm soapy water.

When using a stain remover, always work from the outside towards the centre to avoid leaving a ring. If a soiled ring or spot should remain, it can usually be removed using lukewarm soapy water or water alone.

Spots left by liquids, such as soft drinks or thin oil, must be removed at once with an absorbent material, such as kitchen towel-ling. Then clean with a stain remover.

White spirit is recommended for removing grease and oil stains. A medium stiff brush may also be used.

## Cleaning and caring for leather upholstery

The principal reason for treating leather upholstery is to maintain its elegant appearance and to provide it with a protective film. Disco lour at ion caused by dust and wear mainly affects the lighter shades, although this is not detrimental to the leather, indeed, the patina resulting from use is often considered desirable in leather. But if the leather is allowed to become too grubby, it can start to look shabby.

The leather upholstery should be cleaned and reconditioned twice a year in conjunction with spring and autumn inspections. In

very warm, dry climates the leather may need more regular reconditioning. Use conventional leather care products. Follow the instructions on the packaging.

Do not use unknown harsh polishing agents, cleaning agents, sprays, coarse soap or hot water.

## Textile carpeting

Textile carpeting should be vacuum cleaned regularly. Carpeting can also be cleaned using a brush or sponge and carpet shampoo.

For safety reasons, vacuum cleaners that are not earthed (grounded) must not be used out of doors.

## Engine bay

The engine bay should be cleaned with an engine decreasing and rinsed with hot water. The headlights must be covered over. Do not use a pressure washer. Avoid spraying electrical components and connectors.

Do not use petrol as a cleaning agent or solvent when carrying out repairs or maintenance. Saab recommends the use of environmentally-friendly decrescendos.

## Washing

The bodywork must be washed frequently. When the car is new, the body should be washed by hand using plain cold water and a clean, soft brush through which the water flows. Automatic caresses should be avoided when the car is new.

After 5–6 months the paintwork will have hardened. To facilitate cleaning, a suitable detergent can be added to the water, which should be lukewarm.

Remove any bird droppings without delay, as these can discolor the paintwork and prove difficult to polish out. Lay a wad of wet paper on the patch of dirt and leave it for a minute or so. It will then be easy to wash off the dirt.

Use a soft cloth moistened with white spirit to remove splashes of tar or asphalt. Do not use strong cleaners, as these can dry out the paintwork.

### NOTICE

Do not use alcohol-based cleaners on the plastic lenses of the front or rear lights, as these can cause a crackling effect on the lenses.

The door mirrors should be folded in before the car enters an automatic car wash.

The underside of the car also needs washing regularly, and this should be done extra thoroughly at the end of winter. Clean the underside of the car by hand if the car is usually washed in an automatic car wash without special facilities for underbody cleaning. Never wash or leave the car to dry in the sun, but wipe it dry with a chamois leather immediately after washing to avoid smears and streaks.

Clean the inside of window glass using a proprietary window cleaner. This is particularly important when the car is new, as upholstery and trim have a tendency to sweat a little at first.

Keep the glass well polished, as this helps to prevent misting.

Clean the outside of the windows with Saab washer fluid. This is especially important if the car has been washed in an automatic car wash, as sometimes a wax treatment is used that can contaminate the windshield and impair the performance of the wipers.

In the U.S., Saab offers a full complement of car care products. See your dealer or visit us at [www.saabcatalog.com](http://www.saabcatalog.com).

**Convertible:**

- Wash the soft top with a mild soap solution and lukewarm water. For spot cleaning the top, a finger nail brush can also be used. Stroke the brush in the direction of the fabric, not across the threads.
- If a pressure washer is used be heedful of the following recommendations:
  - on the lower part of the car (not higher than the door handles): max pressure of 100 bar and not closer than 8 in. (20 cm).
  - on the upper part of the car: max pressure of 100 bar and not closer than 32 in. (80 cm).
- Do not use any drying chemicals or water-proofing agents.
- Avoid automatic car washes.

**NOTICE**

- Try your brakes on leaving a car wash. Wet brake discs reduce the performance of the brakes.
- Fixed antennae, such as for a mobile phone, must be removed if the car goes through an automatic car wash.
- Cars with Saab Parking Assistance: Do not spray the sensors or closer than 8 in. (20 cm) to the sensors with a pressure washer, as this can damage them.

## Waxing and polishing

Do not wax a new car during the first three or four months. In fact, there is no need to polish the car before the paintwork has started to dull through oxidation. Other than in exceptional cases, do not use abrasive polishes containing a cutting agent on a new car. Always wash the car thoroughly before waxing or polishing.

## Touching up the paint

Damaged paintwork should be treated as soon as it is discovered: the longer it is left, the greater the risk of corrosion. The anti-corrosion warranty does not cover corrosion resulting from untreated defects.

Paintwork damage sustained in a crash is usually extensive and can only be properly restored by professionals.

However, you can repair small scratches and stone chip damage yourself. The necessary tools and materials, such as primer, touch-up paint and brushes, are available from your Saab dealer.

In the case of minor flaws in the paintwork, where the metal has not been exposed and an undamaged layer of paint remains, touch-up paint can usually be applied directly, after any dirt has been scraped away using a pointed knife.

If corrosion has already set in, such as the result of stone-chip damage, use a pointed knife to scrape off all surface rust. If possible, the damaged area should be taken back to the bare metal. The metal should

then be primed with two thin coats of primer applied by brush.

After the primer has dried, apply several thin layers of topcoat until the surface of the repaired area is flush with the surrounding paintwork.

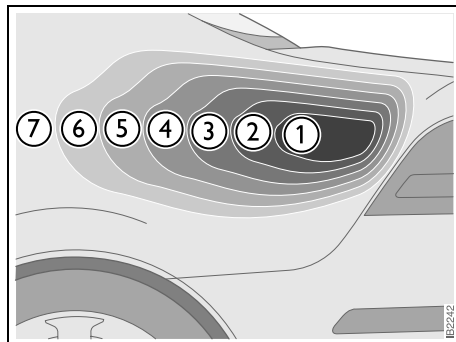
Stir both primer and touch-up paint thoroughly before use and allow each coat to dry before applying the next.

### Two-coat enamel

As the name implies, two-coat enamel is applied in two operations. The first coat, the base color, contains the pigment, metal flakes and binder. The second coat consists of a clear enamel, which provides the final gloss for the paintwork and protects the base from moisture and environmental contaminants.

Touch-up stone-chip damage as follows:

- 1 Thoroughly clean the damaged area.
- 2 Then apply the primer, base color and finally, the clear enamel. To achieve the best finish, apply two or three coats of primer.



#### Surface treatment composition

- 1 Body panel
- 2 Zinc (certain components only) 7.5 µm
- 3 Phosphate coating 3–5 µm
- 4 Cathodic ED 23 µm
- 5 Intermediate coat 35 µm
- 6 Metallic base/solid base 11 µm
- 7 Clear enamel 45 µm

## Anti-corrosion treatment

The entire car undergoes a series of anti-corrosion processes during production. These include electrophoretic priming, PVC-based coating to protect against stone chip damage and corrosion, and treatment of body cavities and members with thin, penetrating rustproofing oil.

In addition, most body panels, such as the hood, doors and floor pan are galvanized.

The anti-corrosion treatment on some parts of the car is constantly exposed to wear and prone to damage. This applies particularly to the underside of the car and inside the wheel arches, where grit, road salt and the like that are thrown up can give rise to corrosion where the underseal has worn away. The extent of this obviously depends on the conditions in which the car is used.

Accordingly, make it a habit to hose the underside of the car often and to inspect the condition of the underseal. The anti-corrosion warranty does not relieve the car owner of the need to carry out normal maintenance to the rustproofing and to make good any damage.



Use a hose to clean the underside of the car thoroughly. After it has dried, use a brush or spray to apply a viscous anti-corrosion agent to any worn or damaged areas, to prevent the onset of corrosion.

Even after the anti-corrosion warranty has expired, it makes good sense to continue to maintain the rustproofing.

Seams in the body, especially those in the doors and trunk lid, are particularly vulnerable to corrosion from the outside, caused by grit and salt thrown up from the road, and to corrosion from the inside, largely as a result of condensation. Keep the seams clean and at the first sign of any rust, apply a thin, penetrating, anti-corrosion oil. Your Saab dealer will be pleased to give you further advice.

### What causes rust?

Steel body panels of automobiles are subject to rusting whenever air and moisture manage to penetrate the protective finish. Body panels may rust through if the process is unchecked. Rusting can occur wherever water is trapped or where the car's panels are continuously damp.

Damage to paint and undercoating by stones, gravel and minor crashes immediately exposes metal to air and moisture. Road salts used for de-icing will collect on the bottom of the car and promote rusting. Areas of the country with high humidity have a greater potential for rust problems, especially where salt is used on roads or there is moist sea air. Industrial pollution (fallout) may also damage paint and promote rusting.

### Preventive maintenance

The following procedures are necessary to help protect against rusting. Refer also to the terms and conditions of the Performance Limited Warranty described in the warranty booklet.

- 1 **Wash the car frequently, and wax at least twice a year.** Under adverse conditions, where there is a rapid buildup of dirt, sand or road salt, wash your car at least once a week. After extreme exposure to salted snow or slush, evidenced by a white film on the car, wash the car immediately. Frequent washing will prevent paint damage from acid rain and other airborne contaminants such as tree sap and bird droppings. If any of these contaminants are noticed on the car the finish should be washed immediately.
  - Begin washing by rinsing the entire car with water to loosen and flush off heavy concentrations of dirt (include the underbody).
  - Sponge the car with a solution of either a good quality car soap or mild general purpose (dish washing) detergent and water.
  - Rinse car thoroughly with clean water.
  - After washing, check and clear all drains in doors and body panels.
  - Wipe the car dry, preferably using a chamois.

2 **Clean the underside of the car during the winter.** Use high pressure water to clean the car's underside (floor panels, wheel wells) at least at mid-winter and in the spring.

3 **Inspect the car frequently for leaks or damage, and arrange for needed repairs promptly.** After washing or after heavy rain, check for leaks. When washing the car inspect body surfaces for paint damage. While checking for leaks, lift the floor mats and check underneath them. Water can collect in these areas and remain for prolonged periods. Dry any wet areas including the floor mats. Have leaks repaired as soon as possible.

Use touch-up paint to repair small scratches or minor finish damage. Areas where metal is exposed will rust quickly and **MUST** be repaired immediately by touch-up or professional repainting.

Rust must be removed, the bare metal primed and painted. Major body damage should be repaired immediately and new panels or exposed areas should be undercoated with anti-corrosion material.

Repairs of this type are the owner's responsibility and are not covered under warranty.

**Inspect the undercoating and touch up if necessary.** Pay particular attention to the fenders and wheel housings, which are exposed to abrasion by flying gravel, etc. If the composition has worn or flaked off, the steel must be thoroughly cleaned and dried before a fresh coat is applied. The cleaning is best done with a scraper and a steel wire brush, followed by washing with solvent. Apply the new coating thinly, otherwise it may run off or fall off when dry.

## Recovery and/or recycling of automotive materials

A typical car consists of metals (65–75 %), plastics (10–15 %), rubber (5 %) and small quantities of glass, wood, paper and textiles. The recycling of metals has been commonplace for a long time now.

To facilitate the sorting of other materials, plastic parts, for instance, have been marked to identify the precise nature of the plastic.

## Air conditioning (A/C)

### WARNING

- All repairs and adjustments to the A/C system must be carried out at a Saab dealer authorized for this kind of work.
- The A/C system is pressurized. Do not break any connections or undo A/C system components.
- Escaping gas can cause eye injury or other personal injury.

### NOTICE

- The A/C system is designed for use with R134a refrigerant.
- Refrigerant handling requires special equipment and special procedures for charging and draining the system.
- Never mix R 134a with other refrigerants.

## Troubleshooting

If a fault occurs in the A/C system, there are a number of checks you can perform yourself. If the fault persists, however, have the system checked at a Saab dealer.

### Note:

When the A/C system is running, the intake air is dehumidified. The resultant condensation that forms on the evaporator is drained off under the car. When the car is parked, this may result in a small puddle forming on the ground. The warmer the air and the higher the relative humidity, the more condensation will be produced.

## Inadequate cooling

- Check that the controls for temperature and air distribution are correctly set; see "Manual climate-control system" on page 103.
- Check that the condenser (in front of the radiator) has not become clogged with dirt and insects.
- Make sure that the compressor drive belt does not slip (see page 210).
- Check the fuses for the ventilation fans and compressor (see page 229).

## Maintenance

### NOTICE

Do not use a pressure washer when cleaning the condenser or radiator due to the risk of damage.

- The compressor drive belt should be inspected under the regular service program.
- Clean away dirt and insects from the condenser and radiator to prevent clogging. When washing the car, use the hose to spray the radiator and condenser (located in front of the radiator) from both sides (both from the front of the car and from inside the engine bay). Do not use a pressure washer.

**Caution: Do not hose down the radiator and condenser while the engine is hot.**

Other than in extremely cold weather, do not screen the radiator, e.g. with netting, as this will greatly diminish its cooling capacity.

- Applicable to the manual climate control system - During cold months the air conditioning should be switched on once or twice a month and run for 5–10 minutes during highway driving once the engine is warm.

This action saves the gaskets in the compressor from being spoiled. The compressor uses a lubricant that circulates with the coolant.

**Note:**

The A/C system cannot be switched on when the outside temperature is below 32°F (0°C). Turn on the A/C system when the car is standing in a warm place. Simplest is to always have the A/C button pressed in. The A/C system will then cut in automatically when the outside temperature is high enough.

## Headlight aiming

**WARNING**

Before checking/adjusting the headlight aiming, switch off the engine to avoid danger of fingers and hands being injured by moving parts.

The radiator fan can start up even when the engine is switched off.

The vehicle has a visual optical headlight aiming system equipped with vertical aiming device. The aim has been preset at the factory and should normally not need further adjustments.

If your headlights are damaged in a crash, the headlight aim may be affected. If you believe your headlights need to be re-aimed, we recommend that you take it to your Saab dealer for service. However, it is possible for you to re-aim your headlights as described in the following procedure.

**NOTICE**

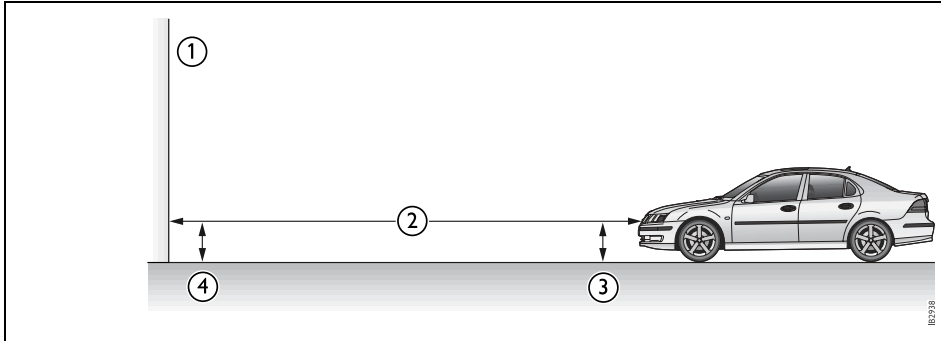
To make sure that your headlights are aimed properly read all instructions before beginning. Failure to follow these instructions could cause damage to headlight parts or a not correctly aimed headlight.

To check the aim, the vehicle should be properly prepared as follows:

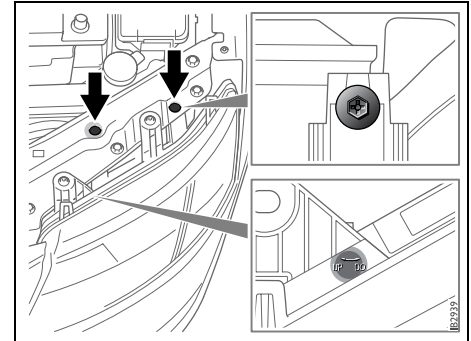
- The vehicle shall be placed so that the headlights are 25 ft (7.6 m) from a light colored wall or other flat surface. The aiming area should be darkened, this will improve your ability to see the beam of the low beam headlight being aimed. An optical headlamp aimer can also be used and will then replace the wall.
- The vehicle must have all four wheels on a perfectly level surface which is level all the way to the wall or other flat surface.
- The vehicle should be placed so it is perpendicular to the wall or other flat surface.
- The vehicle should be unloaded and fuel tank full, and one person or 160 lbs. (75 kg) on the drivers seat.
- The vehicle should be fully assembled and all other work stopped while headlight aiming is being done.
- The vehicle should not have any snow, ice or mud attached to it.
- Tires should be inflated to the prescribed pressure.
- Close all doors.
- Rock the vehicle to stabilize the suspension.

Headlight aiming is done with the vehicle low beam lamps. The high beam lamps will be correctly aimed if the low beam lamps are aimed properly.

If you find that the headlight needs adjustment follow these steps:



- 1 Wall or garage door.
- 2 25 ft (7.6 m) between wall and headlight lens.
- 3 Measurement from the ground to the low beam aiming marker on the headlight lens.
- 4 Same measurement as (3) but subtract 2 inches.



Vertical aiming device

- 1 Open the hood and locate the vertical aiming devices there are two vertical aiming devices which shall be turned simultaneously and the same amount of turns.
- 2 Locate the marker on the lens.
- 3 Measure the distance from the ground to the aim marker No.1 on each lens. Subtract 2 inches.
- 4 At the wall or other flat surface, measure from the ground to the recorded distance (see point 4) and draw a horizontal line the width of the vehicle.
- 5 **Cars with xenon lights:**  
Xenon lights with automatic headlight levelling system must first do a refer-

ence run before aiming: Start the engine and let the headlights do a reference run. Turn off the engine but leave the low beam on.

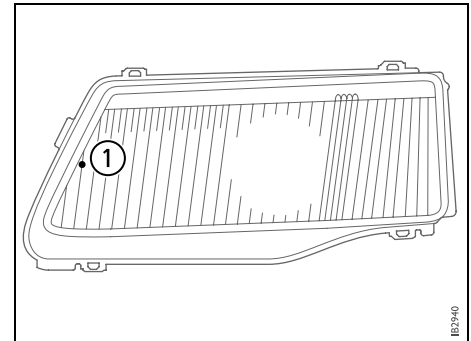
**Cars with halogen lights:**

Turn on the low beam headlights.

**Both variants:**

Place a piece of cardboard or equivalent (although not directly on the lens) in front of the headlight not being aimed. This should allow the beam cut-off of the headlight being aimed to be seen on the flat surface.

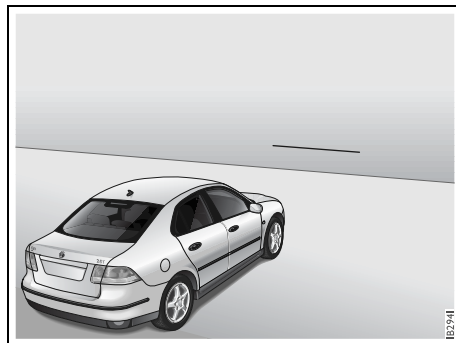
- 1 Aiming marker on headlight lens



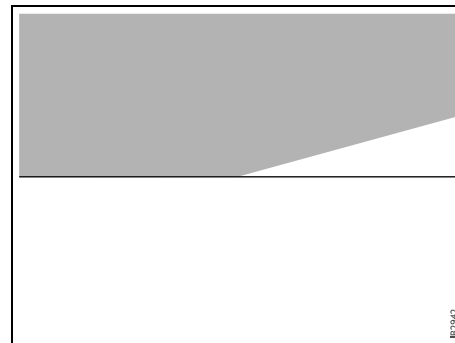
**NOTICE**

Do not cover a headlight directly on the lens to improve beam cut-off when aiming. Covering a headlight may cause excessive heat build-up that may cause damage to the headlight.

- 6 Turn the two vertical aiming screws simultaneously in the same direction indicated on the headlight until the horizontal cut-off of the headlight is aligned with the horizontal line on the wall.
- 7 If an optical headlight aimer device is used follow point 1 and 2 and center the lens of the optical headlight aimer device at the intersection of the two markers on the headlight lens. Then follow the instructions in the optical headlight aimer instruction manual and point 1, 2, 5, and 6 in this instruction.



*Horizontal line on wall or other flat surface*



*Correctly adjusted low beam*

## **Customer Assistance and Information**

<b>Maintenance schedule</b> _____	<b>262</b>
<b>Owner assistance</b> _____	<b>264</b>
<b>Reporting Safety Defects (USA)</b> _____	<b>265</b>
<b>Reporting Safety Defects to the Canadian government</b> _____	<b>265</b>
<b>Vehicle Data Collection and Event Data Recorders</b> _____	<b>266</b>

## Maintenance schedule

The Maintenance Schedule prescribes a service program to the purchaser/operator of a Saab that is reasonable and necessary to ensure the proper emission control systems function, safety and reliability of the Saab automobile in normal use. Additional maintenance is recommended for specific components when the car is operated under certain severe conditions. Proper maintenance is always a good practice!

Authorized Saab dealers are equipped and trained to meet your Saab's service needs. They regularly receive up-to-date Saab service manuals and parts and technical service bulletins from Saab and are able, through their franchise agreement, to attend Saab service schools, obtain Saab special tools and technical assistance and purchase original equipment service and replacement parts.

Today's complex automobiles should only be entrusted to the most knowledgeable service professionals. A Saab dealer is your best choice.

## SERVICE INTERVALS

A time for service message will illuminate on the Saab Instrument Display (SID) when the car is due for regular maintenance. There are three different messages that will appear:

### TIME FOR INTERMEDIATE SERVICE

indicates that an oil/filter change is required along with several inspections. This message is set by the engine management system which calculates service intervals based on several factors including driving habits, ambient temperature, number of cold starts, mileage driven and elapsed time since the last service. If mileage accumulation does not occur, the message will be set, and maintenance required at a maximum of 2 years.

### TIME FOR MAIN AND INTERMEDIATE SERVICE

indicates that an oil/filter change is required along with several inspections and additional maintenance such as air filter or spark plug replacement.

**TIME FOR MAIN SERVICE** will be set when additional maintenance is necessary, such as air filter or spark plug replacement. When the message Time for service. is displayed, contact your Saab Dealer for a service appointment.

Failure to perform scheduled maintenance in a timely manner may result in serious damage to key components or systems.



## Engine oil and filter changes

Changing the engine oil and filter is required at every service point. Use only a Saab approved long-life oil filter and engine oils meeting the SAE viscosity ratings and API service classifications stated in the "Technical data" section of this Owner's Manual. The use of extra additives in the oil is not necessary and is not recommended, and may be harmful to turbochargers.

More frequent oil changes are recommended if your vehicle is operated under any of the following conditions:

- Most trips are less than 5–10 miles (8–16 km). This is particularly important when outside temperatures are below freezing.
- Most trips include extensive idling (frequent stop-and-go traffic).
- Most trips are through dusty areas (such as construction zones).
- If the vehicle is used for delivery service, police, taxi or other commercial applications.

If your driving habits match this description, have the engine oil and filter changed in-between normal services. These conditions cause the engine oil to break down faster. The Warranties and Service Record Booklet has provisions to record extra oil changes.

## Service record retention

It is the owner's responsibility to retain service records. If possible, you should keep copies of all shop work orders for all service and repairs, whenever performed. As indicated in the new car and emission control system warranties, it is important to document that all necessary maintenance has been done.

### HOW THE SERVICE RECORD IS ORGANIZED

The service record is comprised of a series of coupons on which to record services as they are performed. There are additional coupons for documenting extra engine oil and filter changes, extra automatic transmission fluid services necessary for severe service conditions, and brake fluid changes.

### HOW TO USE THE SERVICE RECORD COUPONS

When the car is brought to a Saab dealer for scheduled maintenance, present the Warranties & Service Record Booklet to the service manager. When the technician has completed the service, the technician will sign the maintenance record. The person responsible for quality assurance at the dealership will also sign and stamp the record with the dealer identification stamp.

## Service costs

Dealer pricing practices and labor for service work vary. Saab's recommended service times for each service point do not include the labor required to replace wear items, such as wiper blades, brake pads or tires. Nor is labor to perform other service or repairs found to be necessary as a result of the inspections included in these times.

Additional labor and parts will be charged for such work when necessary, except as covered under an applicable Saab warranty or any optional extended service contract. Transmission fluid changes or suspension alignment, when necessary, are also additional.

Dealer charges for general shop material, regulated hazardous waste removal, recycling expenses or other operation costs may also be applied to service and repair invoices and are apt to vary by dealer and location.

## **Owner assistance**

### **Warranties and service problem assistance**

For complete information about all applicable warranties, including the New Car Warranty, Perforation Warranty, Vehicle Emission Warranty and Emission Perforation Warranty, consult the Warranties and Service Record Booklet which accompanies this Owner's Manual. It also contains owner assistance information including Saab Roadside Assistance. If the booklet is lost or misplaced, a new one may be ordered through a Saab dealer or by contacting Saab.

In the U.S. there is a national Customer Assistance Center at Saab Cars USA, Inc. The toll-free number to call from all 50 states is 1-800-955-9007.

In Canada, please call the Saab Customer Assistance Centre at 1-800-263-1999.

A list of authorized Saab sales and service dealers is available for those planning to travel in the United States and Canada.

Canadian or U.S. travelers may call the Customer Assistance Center in the country in which they are traveling.

### **Change of Address Notification (U.S. and Canada)**

Two change of address cards are provided at the end of the Warranties and Service Record Booklet. Knowing your current address allows Saab to contact you in the event of a recall or service campaign. Please help us keep our records up to date for your own peace of mind.

### **Service information**

Factory Service Manuals for the Saab 9-3 and 9-5 car lines can be ordered through your dealer. These are comprehensive manuals on CD rom, geared to use by professional technicians. Consult your Saab dealer for prices for your model.

## Reporting Safety Defects (USA)

If you believe that your vehicle has a defect which could cause a crash or could cause injury or death, you should immediately inform the National Highway Traffic Safety Administration (NHTSA) in addition to notifying Saab Cars USA, Inc.

If NHTSA receives similar complaints, it may open an investigation, and if it finds that a safety defect exists in a group of vehicles, it may order a recall and remedy campaign. However, NHTSA cannot become involved in individual problems between you, your dealer, or Saab Cars USA, Inc.

To contact NHTSA, you may either call the Auto Safety Hotline toll-free at 1-800-424-9393 (or 202/366-0123 in Washington D.C. area) or write to: NHTSA, U.S. Department of Transportation, Washington, D.C. 20590. You can also obtain other information about motor vehicle safety from the Hotline.

## Reporting Safety Defects to the Canadian government

If you live in Canada, and believe that your vehicle has a safety defect, you should immediately notify Transport Canada, in addition to notifying General Motors of Canada Limited.

You may write to Transport Canada at Box 8880, Ottawa, Ontario, K1G 3J2.

In addition to notifying Transport Canada in a situation like this, we certainly hope you will notify us. In Canada, please call our Saab Customer Assistance Centre at 1-800-263-1999.

Or write:

General Motors of Canada Limited  
Customer Assistance Centre,  
1908 Colonel Sam Drive,  
Oshawa, Ontario, L1H 8P7.

## Vehicle Data Collection and Event Data Recorders

Your vehicle, like other modern motor vehicles, has a number of sophisticated computer systems that monitor and control several aspects of the vehicle's performance. Your vehicle uses on-board vehicle computers to monitor emission control components to optimize fuel economy, to monitor conditions for air bag deployment and, if so equipped, to provide anti-lock braking and to help the driver control the vehicle in difficult driving situations. Some information may be stored during regular operations to facilitate repair of detected malfunctions; other information is stored only in a crash event by computer systems commonly called event data recorders (EDR).

In a crash event, computer systems, such as the Air Bag Sensing and Diagnostic Module (SDM) in your vehicle may record information about the condition of the vehicle and how it was operated, such as data related to engine speed, brake application, throttle position, vehicle speed, steering wheel angle, lateral acceleration, safety belt usage, air bag readiness, air bag performance, and the severity of a collision. This information has been used to improve vehicle crash performance and may be used to improve crash performance of future vehicles and driving safety. Unlike the data recorders on many airplanes, these on-board systems do not record sounds, such as conversation of vehicle occupants.

To read this information, special equipment is needed and access to the vehicle or the SDM is required.

Saab will not access information about a crash event or share it with others other than

- with the consent of the vehicle owner or, if the vehicle is leased, with the consent of the lessee,
- in response to an official request of police or similar government office,
- as part of Saab's defense of litigation through the discovery process, or
- as required by law.

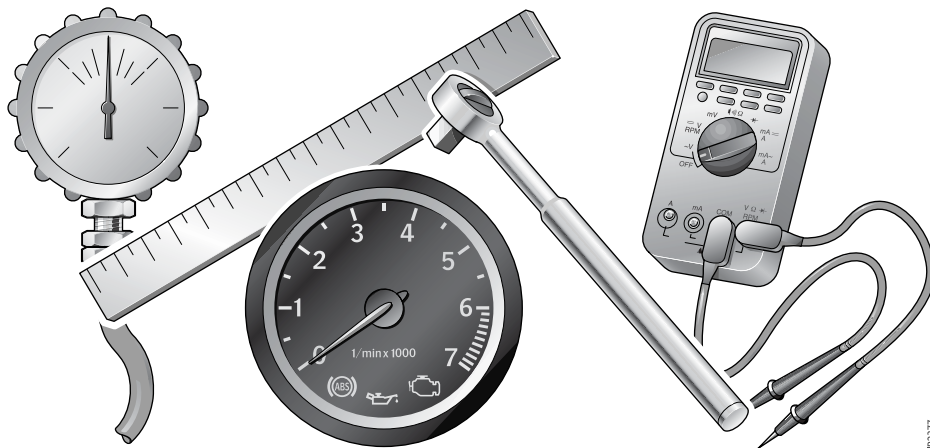
In addition, once Saab collects or receives data, Saab may

- use the data for Saab research needs,
- make it available for research where appropriate confidentiality is to be maintained and need is shown, or
- share summary data which is not tied to a specific vehicle with non-Saab organizations for research purposes.

Others, such as law enforcement, may have access to the special equipment that can read the information if they have access to the vehicle or SDM.

If your vehicle is equipped with OnStar®, please check the OnStar® subscription service agreement or manual for information on its operations and data collection.

## Technical data

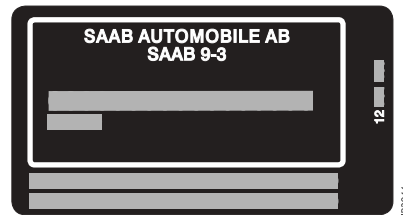


B3377

<b>General data</b>	_____	<b>268</b>
<b>Engine</b>	_____	<b>270</b>
<b>Engine oil</b>	_____	<b>270</b>
<b>Fuel</b>	_____	<b>271</b>
<b>Engines</b>	_____	<b>271</b>
<b>Electrical system</b>	_____	<b>272</b>
<b>Drive belt</b>	_____	<b>272</b>
<b>Manual transmission</b>	_____	<b>272</b>
<b>Automatic transmission</b>	_____	<b>273</b>
<b>Suspension</b>	_____	<b>273</b>
<b>Steering</b>	_____	<b>273</b>
<b>Brake system</b>	_____	<b>274</b>
<b>Wheels and tires</b>	_____	<b>275</b>
<b>Plates and labels</b>	_____	<b>278</b>

### General data

Overall length, including bumpers: ____	182.5" (4635 mm)
Overall width, including door mirrors ____	80.2" (2038 mm)
Maximum height _____	57.8" (1468 mm)
Wheelbase _____	105.3" (2675 mm)
Track:	
Front _____	59.8" (1521 mm)
Rear _____	59.3" (1506 mm)
Ground clearance at GVW _____	approx. 120 mm
Number of seats (incl. driver):	
Sport Sedan _____	5
Convertible _____	4
Turning circle:	
Measured at vehicle extremities _____	37.4 ft. (11.4 m)
Curb to curb _____	35.4 ft. (10.8 m)
Trunk length:	
Rear seat raised _____	40.8" (1036 mm)
Rear seat lowered _____	69.8" (1774 mm)
Convertible _____	29.1" (740 mm)
Trunk volume (SAE):	
Sport Sedan _____	15.0 cu.ft. (425 l)
Convertible, soft top raised _____	12.4 cu.ft. (352 l)
Convertible, soft top folded _____	8.3 cu.ft. (235 l)



Permissible load (in addition to the driver) = GVW minus curb weight. The maximum permissible axle load, front or rear, must not be exceeded. The precise curb weight of the vehicle and load capacity are specified in the vehicle registration documents.

*V.I.N. label*

<b>Curb weight</b> (i.e. with full fuel tank, full washer fluid reservoir, standard tools and spare wheel):	
Sport Sedan _____	3200–3420 lbs. (1450–1550 kg)
Convertible _____	3570–3700 lbs. (1620–1680 kg)
<b>Gross vehicle weight (GVW):</b>	
Sport Sedan _____	4120–4340 lbs. (1870–1970 kg)
Convertible _____	4460–4520 lbs. (2025–2050 kg)

Maximum axle load:

Sport Sedan, front _____	2480 lbs. (1125 kg)
Sport Sedan, rear _____	2230 lbs. (1010 kg)
Convertible, front _____	2540 lbs. (1150 kg)
Convertible, rear _____	2310 lbs. (1050 kg)

Weight distribution:

Curb weight + driver (150 lbs. (68 kg)), front/rear (Sport Sedan and Convertible) _____	approx. 60/40 %
GVW, front/rear (Sport Sedan and Convertible) _____	approx. 50/50 %

Maximum roof load, Sport Sedan \_\_\_\_\_ 220 lbs. (100 kg)

Maximum load in trunk:


Sport Sedan _____	175 lbs. (80 kg)
Convertible _____	220 lbs. (100 kg)

The combined weight of occupants and cargo should never exceed:

Sport Sedan _____	925 lbs. (420 kg)
Convertible _____	820 lbs. (372 kg)

Maximum combined weight of driver and passengers \_\_\_\_\_

Sport Sedan (5x150 lbs.) _____	750 lbs. (340 kg)
Convertible (4x150 lbs.) _____	600 lbs. (272 kg)

 **WARNING**

- The GVW and maximum axle loads must not be exceeded. Note that if some accessories (e.g. towbar, CD changer) are fitted, the available load capacity is reduced by the weight of these.
- When carrying a load in the trunk, make sure that it is lashed down securely, particularly when part or all of the rear seat is folded down.

**Trailer:**

Trailer with brakes _____	Max. 3500 lbs. (1588 kg)
Trailer without brakes _____	Max. 1000 lbs. (450 kg)
Recommended towball load _____	110–165 lbs. (50–75 kg) See also page 186.
Maximum theoretical towing speed, trailer with brakes _____	60 mph (100 km/h)

When towing a trailer, increase the pressure of the rear tires by 20 kPa (3 psi).

The above speed and weight restrictions are those specified by Saab Automobile AB.  
Note that national restrictions may apply to trailer speeds and weights (see page 184).

**Engine**

Type:	Four cylinders, double overhead camshafts, 16 valves, two balancer shafts
Cylinder bore _____	3.386" (86 mm)
Stroke _____	3.386" (86 mm)
Swept volume _____	122 cu.in. (1.998 l)
Idling speed _____	720 rpm. When the engine load increases, e.g. the steering wheel is turned, the idling speed is raised to 900 rpm.
Antifreeze _____	Saab-approved antifreeze
Coolant capacity _____	7.5 qts. (7.1 l)

**Engine oil**

To meet demands in Saab's extended service intervals all engines are filled with specially designed synthetic factory fill oils. Long service intervals, fuel economy and environmental issues are the base for our choice of oil. By using oils approved by Saab you minimise the tendencies for oil sludge build, by that protecting the engine from harmful, wear increasing, deposits.

**Approved oils:**

All gasoline engines - Fully Synthetic Engine Oil fulfilling GM-LL-A-025 requirements.

To ensure being able to take advantage of the Saab specified service intervals, be sure to select a fully synthetic engine oil fulfilling GM-LL-A-025 requirements.

**Servicing/Oil changes:**

To be able to use recommended service intervals the need to use only approved engine oils is vital. Use only engine oils approved for your engine. Service should be done according to the recommended service intervals to optimize your engine's function through out its entire life. Saab Automobile AB will not take responsibility for any damage that might occur due to neglecting to meet above mentioned requirements.

At your Saab dealers you can find Saab Genuine or Mobil engine oils. Among those there are oils specially designed to meet your engines specific needs. We recommend that you, with the help of our skilled service personnel, choose your oil from that selection.

Other oil companies also have engine oils approved according to GM specifications. Oils meeting these standards may be identified as synthetic. However, not all synthetic oils will meet your engines requirements. You should only use oil that meets your engines specific requirements (GM-LL-A-025).



**Recommended oil viscosities.**

Viscosity is a measurement of the oils thickness. The thickness influences, among other things, the fuel economy. For best function Saab recommends:

**For gasoline engines:**

**SAE 0W-30, SAE 5W-30 or SAE 0W-40 engine oil.**

**Extra engine oil additives.**

Don't add anything to your oil. The recommended oils are all you will need for good engine performance and protection.

**When to change engine oil.**

Your vehicle has a display (SID) where time for service will be shown. Based not only on mileage but also on driving conditions the mileage at which a service will be indicated can vary considerably.

Under normal circumstances the service indication will come on at or around 15 000 miles or 2 years.

For this service system to work it is of outmost importance that the right engine oil is used.

When the message for service is displayed you need to have the required service done as soon as possible. After the service your service personnel will reset the service indicator. It is important to reset the service indicator in order to optimize the time to the next service.

Oil capacity, including filter (oil change) 6.3 qts. (6.0 l)

**Fuel**

Fuel tank capacity \_\_\_\_\_ 16.05 U.S. gal. (61 l)

For optimum performance Saab recommends:

2.0t 175 hp – AON 90.  
2.0T 210 hp – AON 90.

Gasoline with a lower octane rating can be used, although not lower than AON 87. However, engine performance will fall slightly and heavy loading and laboring should be avoided. For optimum performance, use the recommended grade of fuel. For further information on fuel, see page 155.

**Engines**

*2.0t Ecopower*

Rating, EEC at 5500 rpm \_\_\_\_\_ 175 hp (129 kW)  
Maximum torque, EEC at 2500 rpm \_\_\_\_\_ 195 ft.lb. (265 Nm)  
Compression ratio \_\_\_\_\_ 9.5:1

*2.0T Ecopower*

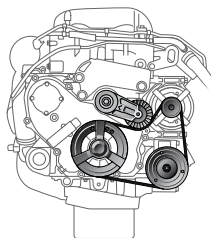
Rating, EEC at 5300 rpm \_\_\_\_\_ 210 hp (155 kW)  
Maximum torque, EEC at 2500 rpm \_\_\_\_\_ 221 ft.lb. (300 Nm)  
Compression ratio \_\_\_\_\_ 9.5:1

### Electrical system

Voltage _____	12 V
Battery capacity _____	60 Ah
Starter motor _____	1.8 kW
Alternator rating:	
Manual gearbox _____	120 A/14 V
Automatic gearbox _____	140 A/14 V
Firing order _____	1-3-4-2
Spark plugs:	
Type _____	NGK PFR6T-10G
Electrode gap _____	0.9–1.0 mm
Tightening torque _____	20 ft.lb. (28 Nm)

### Drive belt

Outside length _____	40.472" (1028 mm)
----------------------	-------------------



*Drive belt*

1022108

### Manual transmission

Type _____	Fully synchronized with final drive gear and differential
Oil type (for topping up) _____	Saab MTF 0063
Oil capacity:	
5-speed _____	1.9 qts. (1.8 l), to level plug
6-speed, 2.0 Turbo _____	3.15 qts. (3.0 l)
Speed, mph (km/h) at 1000 rpm in highest gear (5th gear) _____	27–30 (43–48)
Speed, mph (km/h) at 1000 rpm in highest gear (6th gear) _____	29–34 (46–55)

### Automatic transmission

Type \_\_\_\_\_ Electronically controlled, 5-speed, fully-automatic with hydraulic torque converter, planetary gears and integral final drive.  
 Lock-up function in selector positions 3, 4 and 5.

Selector lever positions \_\_\_\_\_ P, R, N, D, M

Oil capacity, total \_\_\_\_\_ 7.6 qts. (7.2 litres)

Oil type \_\_\_\_\_ Saab 3309

Clutch type \_\_\_\_\_ Hydraulic plate clutches, brake bands and one-way couplings

Speed (mph/km/h) at 1000 rpm in top gear:  
 2.0t and 2.0T \_\_\_\_\_ 28–29/46–47

### Suspension

Spring type, front and rear \_\_\_\_\_ Coil springs

Maximum deflection of springs:  
 Front \_\_\_\_\_ 7.0" (178 mm)  
 Rear \_\_\_\_\_ 8.3" (212 mm)

Dampers, front and rear \_\_\_\_\_ Gas-filled dampers

### Steering

Steering \_\_\_\_\_ Power-assisted steering gear of rack-pinion type and telescopic jointed steering column

Number of turns, lock to lock \_\_\_\_\_ 2.97

Oil type \_\_\_\_\_ Power steering fluid CHF 11S or CHF 202

**Brake system**

Foot brake (ABS) \_\_\_\_\_

Hydraulic disc brakes with vacuum servo unit. Diagonally split circuits; ventilated discs on front wheels (some variants also have ventilated rear discs). EBD function (see page 167).

Park brake \_\_\_\_\_

Acts on rear wheels

Brake fluid \_\_\_\_\_

To DOT 4.

**Do not** use DOT 5.

Disc diameter:

Front \_\_\_\_\_ 11.14 in.  
(283 mm) \*\*)

Front (certain variants only) \*) \_\_\_\_\_ 11.81 in.  
(300 mm) \*\*)

Rear \_\_\_\_\_ 10.94 in. (278 mm)

Rear (certain variants only) \*) \_\_\_\_\_ 11.42 in.  
(290 mm) \*\*)

Total friction area of brake pads:

Front \_\_\_\_\_ 9.30 in.<sup>2</sup> (60 cm<sup>2</sup>)

Rear \_\_\_\_\_ 4.96 in.<sup>2</sup> (32 cm<sup>2</sup>)

\*) 15" wheels and 16" aluminium wheels must not be fitted to these variants since the diameter of the brake discs does not allow this.

\*\* ) ventilated

**Hydraulic unit for soft top, Convertible**

Oil capacity \_\_\_\_\_ 0.6 qt. (0.6 l)

Oil type \_\_\_\_\_ CHF 11S

## Wheels and tires

### All season tires

6.5 x 15" _____	205/65 R15 94 H
6.5 x 16" _____	215/55 R16 93 H
7 x 17" _____	225/45 R17 94 V RF/XL

### Summer tires

7 x 17" _____	225/45 R17 94 W RF/XL
---------------	--------------------------

Always contact a Saab dealer if you plan to fit other wheels or tires than those fitted as standard.

### Winter (snow) tires:

6.5 x 15" wheel _____	205/65 R15 91 Q M+S
6.5 x 16" wheel _____	215/55 R16 93 Q
7 x 17" wheel _____	225/45 R17 94 Q M+S RF/XL

### Compact spare:

Wheel _____	4 x 16"
Tire _____	125/85 R16 99 M
Pressure _____	420 kPa (60 psi)
Maximum life _____	2200 miles (3500 km)
Maximum speed _____	50 mph (80 km/h)

## NOTICE

### Snow chains:

Snow chains must **not** be fitted to the rear wheels, and may only be used with the following wheel-tire combinations:

Wheels	Tires
6.5 x 15" _____	205/65 R15 M+S or 205/65 R15
6.5 x 16" _____	215/55 R16 M+S or 215/55 R16

Contact your Saab dealer regarding suitable snow chains.

Max. permissible speed with snow chains fitted is 30 mph (50 km/h).

Snow chains must not be fitted to wheels larger than 16".

## NOTICE

Wheels larger than 17" must not be fitted for reasons stated on page 237.

Exercise care when driving on uneven roads or against the curb if the car is heavily laden. This particularly applies to cars with 17" wheels.

Permitted wheel offset is 41 mm.

**Recommended tire/engine combinations**

2.0t	2.0 Turbo
------	-----------

**All season tires**

205/65 R15 94 H	x	–
215/55 R16 93 H	x	–
225/45 R17 94 V RF/XL	x	x

**Summer tires**

225/45 R17 94 W RF/XL	x	x
-----------------------	---	---

**Winter (snow) tires**

205/65 R15 94 Q	x	–
215/55 R16 93 Q	x	x
225/45 R17 94 Q RF/XL	x	x

**Wheel sizes**

6.5 x 15"	x	–
6.5 x 16"	x	x
7 x 17"	x	x

*RF/XL = Reinforced (or Extra Load) tire.*

**Recommended lowest tire pressure, cold tires**

Tire size	Load/speed mph (km/h) *	Front kPa/psi	Rear kPa/psi
<b>All season tires</b>			
205/65 R15 94 H	1–3 pers./0–100 (0–160)	220/32	220/32
	4–5 pers./0–100 (0–160)	220/32	220/32
	1–5 pers./100– (160–)	260/38	260/38
215/55 R16 93 H	1–3 pers./0–100 (0–160)	240/35	220/32
	4–5 pers./0–100 (0–160)	240/35	220/32
	1–5 pers./100– (160–)	280/41	260/38
225/45 R17 94 V RF/XL	1–3 pers./0–100 (0–160)	240/35	240/35
	4–5 pers./0–100 (0–160)	240/35	240/35
	1–5 pers./100– (160–)	280/41	280/41
<b>Summer tires</b>			
225/45 R17 94 W RF/XL	1–3 pers./0–120 (0–190)	240/35	240/35
	4–5 pers./0–120 (0–190)	240/35	240/35
	1–5 pers./120– (190–)	280/41	280/41
<b>Winter tires</b>			
205/65 R15 91 Q	1–3 pers./0–100 (0–160)	240/35	240/35
	4–5 pers./0–100 (0–160)	280/41	280/41
215/55 R16 93 Q	1–3 pers./0–100 (0–160)	240/35	240/35
	4–5 pers./0–100 (0–160)	280/41	280/41
225/45 R17 94 Q RF/XL	1–3 pers./0–100 (0–160)	250/36	250/36
	4–5 pers./0–100 (0–160)	290/42	290/42
<b>Compact spare</b>			
125/85 R16 99 M	Max 50 (80)	420/60	420/60

\* Do not exceed posted speed limits.

By cold tires is meant tires that are the same temperature as the surrounding air temperature.

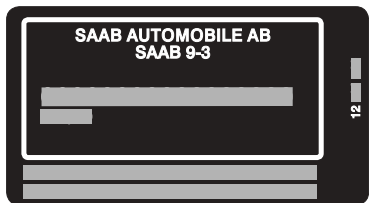
The values for tire pressure in table above are for tires at 68°F (20°C).

The tire pressure will increase as the tires become warm (e.g. during highway driving), and decrease as they cool.

When the temperature of the tires increases or decreases by 10 degrees the tire pressure will correspondingly increase or decrease by 2 psi/10 kPa.







Position:            1 2 3 4 5 6 7 8 9 10 11 12

Vehicle identification number:    Y S 3 F D 4 9 Y X 5 1 016584

| | | | | |

1 2 3 4 5 6 = identification codes for certain chassis components

**1 Region** \_\_\_\_\_

Y = Northern Europe

**2 Country** \_\_\_\_\_

S = Sweden

**3 Manufacturer** \_\_\_\_

3 = Saab Automobile AB

**4 Product line** \_\_\_\_

F = 9-3

**5 Model series** \_\_\_\_

B = 9-3 Linear

D = 9-3 Arc

F = 9-3 Aero

**6 Body version** \_\_\_\_

4 = 4-door

7 = Convertible

**7 Gearbox** \_\_\_\_\_

5 = 5-speed manual

6 = 6-speed manual

9 = 5-speed automatic

**8 Engine variant** \_\_\_\_

S = 2.0t

Y = 2.0 Turbo

**9 Check digit** \_\_\_\_\_

0-9 or X

**10 Model year** \_\_\_\_

5 = 2005

**11 Factory** \_\_\_\_\_

1 = Trollhättan

6 = Graz

**12 Serial number** \_\_\_\_

000001-999999

**Several of the systems in your Saab can be customized to better suit your individual needs. Contact your Saab dealer**

**Central locking system**

Some functions are governed by legal requirements and cannot therefore be reprogrammed.

Consult a Saab dealer for further information.

Listed below are a number of examples of programmable functions.

- Audible confirmation of arming/disarming the car alarm.
- Automatic unlocking when car stopped and remote control removed from the ignition switch.
- Trunk lid locked when car driven off or 30 s after being shut.

**Courtesy Headlamp Feature**









- The length of time the lights are on.
- Whether the reversing light or tail lights should come on as well as the dipped beam.






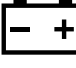





**Automatic Climate System (ACC)**

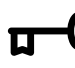
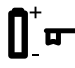







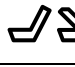

- To prevent the smell of washer fluid from entering the car, recirculation can be activated automatically while the windshield is washed. The recirculation symbol will however not light up. This function is optional; contact a Saab dealer.
- **Convertible:** A/C compressor not switched off when the soft top is open.












## Warning and indications that can be shown on the SID








Which warnings and indications that can be shown depends on engine variant and car specification.

Symbol	Text
	Antilock brake malfunction. Contact Saab dealer.
	Brake malfunction. Make a safe stop. Contact Saab dealer.
	Brake fluid level low. Make a safe stop. Contact Saab dealer.
	Release parking brake.
	Oil pressure low. Make a safe stop. Turn off engine.
	Low engine oil level. Fill oil now.
	Engine malfunction. Contact Saab dealer.
	Coolant level low. Refill.

	Hot engine. Make a safe stop. Run engine on idle.
	Airbag malfunction. Contact Saab dealer.
	Use your seatbelt.
	Gearbox malfunction. Limited performance. Contact Saab dealer.
	Gearbox too hot. Make a safe stop. Open hood to cool down.
	Battery not charging. Make a safe stop. Contact Saab dealer.
	Headlight levelling malfunction. Contact Saab dealer.
	Tap brakes lightly before using cruise control.
	Traction control failure. Contact Saab dealer.
	Stability control failure. Contact Saab dealer.
	Washer fluid level low. Refill.

	Key not accepted. Contact Saab dealer.
	Remote control battery low. Replace battery.
	2: standard key 0: valet key Key No: 1
	Lock system failure. Contact Saab dealer.
	Steering lock malfunc. Make a safe stop. Contact Saab dealer.
	Steering wheel locked. Pull out key, turn steering wheel. Try again.
	Immobilizer failure. Try starting again. Contact Saab dealer.
	Theft protection failure. Contact Saab dealer.
	Alarm has been triggered since being armed.
	Rear left seat backrest unlocked.
	Rear right seat backrest unlocked.

	Parking assistance Contact Saab dealer.
	Parking assistance sensor interference.
	Close doors.
	Left brake light failure
	Left high beam failure.
	Left low beam failure.
	Rear fog light failure.
	Right brake light failure.
	Right high beam failure.
	Right low beam failure.
	High mounted brake light failure.

	Left front turn signal failure.
	Left rear turn signal failure.
	Right front turn signal failure.
	Right rear turn signal failure.
	Left rear position light failure.
	Right rear position light failure.
	Time for service.

# Index

## A

A/C _____	106
ABS brakes _____	167
ACC _____	108
Adjustment, steering wheel _____	122
Air conditioning _____	106
Air filter _____	204
Airbag _____	29
Anchorage eyes _____	143
Anti-corrosion treatment _____	254
Antilock braking system _____	167
Anti-spin _____	169
Ashtrays _____	132
Autochecking of lights, warning and indicator lights _____	82
Autodimming _____	135, 136
Automatic climate control (ACC) _____	108
Automatic transmission _____	159

## B

Battery _____	208
Bedding-in of new brake pads _____	157
Before towing a trailer _____	187
Brake fluid, grade _____	274
Brakes _____	166

Braking _____	166
Bulb changing _____	213
Bulb table _____	226
Buying new tires _____	236

## C

Cabin lighting _____	129
Cabin lighting, Convertible _____	72
Car alarm _____	50
Car transport _____	192
Care of air conditioning _____	257
Change of address notification _____	264
Changing a tire _____	248
Changing bulbs _____	213
Changing engine oil _____	203
Changing the battery, remote control _____	48
Changing wiper blades _____	211
Checking the number of remote controls _____	47
Checks before towing a trailer _____	187
Child safety _____	22
Child safety locks, rear doors _____	46
Child seats _____	22
Cigarette lighter _____	132
Cleaning the engine bay _____	252
Cleaning upholstery _____	251
Climate control system, manual _____	103
Closing the soft top manually, Convertible _____	62
Closing the soft top, Convertible _____	58

Clutch interlock _____	158
Compact spare _____	246
Compass _____	139
Condensation water, A/C _____	106
Convertible _____	55
Convertible, washing _____	253
Coolant _____	205
Crash memory, see EDR _____	266
Cruise control _____	165
Cup holder _____	130

## D

Date codes, tires _____	246
Deep water, driving through _____	189
Definitions and terminology, tire _____	243
Determining correct load, tires _____	245
Direction indicator stalk switch _____	98
Direction indicators _____	98
Dome light, Convertible _____	223
Dome light, Sport Sedan _____	222
Donor battery, boost starting _____	193
Door handles _____	42
Door mirrors _____	134
Drive belt _____	210
Drive belt, length _____	272
Driver's seat with memory _____	20
Driving at night _____	190
Driving in cold climates _____	181
Driving in deep water _____	189
Driving in hot climates _____	183

Driving techniques _____	179
Driving with a heavy load on hilly roads _____	161
Driving with a load _____	189
Driving with a roof load _____	188
Driving with the compact spare wheel _____	193
Driving with the trunk lid open _____	189

## E

EDR (Event Data Recorders) _____	266
ESP, anti-skid system _____	171
Easy entry, Convertible _____	67
Economical motoring _____	179
Electric engine heater _____	180
Electric heating, front seats _____	107, 116
Electric windows _____	123
Electric windows, Convertible _____	71
Electrical system, technical data _____	272
Electrically adjustable seats _____	19
Electronic Stability Program (ESP) _____	171
Electronic steering wheel lock _____	148
Emergency opening of the narrow backrest _____	144
Emergency operation of the sunroof _____	128
Engine bay, cleaning _____	252
Engine heater _____	180
Engine immobilizer _____	49
Engine number _____	278
Engine oil, checking _____	202
Engine oil, grade _____	270

Engine oil, volume _____	271
Engine temperature gauge _____	84
Engine, description _____	199
Engine, technical data _____	270
Engines _____	271
Event Data Recorders (EDR) _____	266
Extra electrical socket _____	132

## F

Facilitating entry to rear seat, Convertible _____	67
Factors affecting fuel consumption _____	179
Filler cap _____	154
Filling a portable fuel container _____	155
Filling up _____	153
Flat spots, tires _____	235
Floor jack _____	249
Folding down the rear seat _____	140
Front fog lights _____	98
Front towing eye _____	190
Fuel container _____	155
Fuel gauge _____	85
Fuel grade _____	271
Fuel information _____	155
Functions, car alarm _____	53
Fuse panel in luggage compartment _____	230
Fuse table _____	229
Fuses _____	227

## G

GDO, garage door opener _____	136
Gear selector indicator, automatic transmission _____	86
Gearbox number _____	278
General safety instructions, Convertible _____	56
Glovebox _____	132
Glovebox lighting _____	224

## H

Handbrake _____	173
Hazard warning lights _____	99
Head restraint, Convertible _____	68
Head restraints _____	21
Headlight flasher _____	97
Headlight levelling _____	96
Headlights _____	96
Heated door mirrors _____	107
Hood _____	198
Horn _____	122
Horn button _____	122

## I

If a tire goes flat _____	240
Ignition switch _____	146
Immobilizer _____	49
Important considerations for driving _____	150

- Important information, petrol-engined cars with catalytic converters \_\_\_\_\_ 151
- Indicator lights \_\_\_\_\_ 78
- Inflation, tires \_\_\_\_\_ 234
- Information about fuel \_\_\_\_\_ 155
- Instrument illumination, adjusting \_\_\_\_\_ 97
- Interior lighting \_\_\_\_\_ 129
- Interior lighting, Convertible \_\_\_\_\_ 72
- Interior rearview mirror \_\_\_\_\_ 135
- Intermittent malfunctioning, central locking \_\_\_\_\_ 44
- J**
- Jump starting \_\_\_\_\_ 193
- K**
- Key \_\_\_\_\_ 42
- Kick-down \_\_\_\_\_ 161
- L**
- LATCH (child safety) \_\_\_\_\_ 23
- Labeling, tire sidewall \_\_\_\_\_ 241
- Labels and plates, location \_\_\_\_\_ 278
- Lashing eyes \_\_\_\_\_ 143
- Laying the car up \_\_\_\_\_ 175
- Leather upholstery, cleaning \_\_\_\_\_ 251
- Lighting in luggage compartment, Convertible \_\_\_\_\_ 73
- Limp-home \_\_\_\_\_ 150
- Limp-home, automatic transmission \_\_\_\_\_ 162
- Load carriers, roof \_\_\_\_\_ 188
- Load indices, tires \_\_\_\_\_ 242
- Loading your vehicle \_\_\_\_\_ 243
- Load-through hatch \_\_\_\_\_ 142
- Locking a car with flat battery \_\_\_\_\_ 45
- Locks \_\_\_\_\_ 42
- Long-term parking \_\_\_\_\_ 175
- Luggage compartment \_\_\_\_\_ 140
- Luggage compartment lighting \_\_\_\_\_ 130, 144
- Luggage compartment lighting, Convertible \_\_\_\_\_ 73
- Luggage compartment lighting, changing \_\_\_\_\_ 224
- M**
- MAXI fuses \_\_\_\_\_ 228
- Main instrument panel \_\_\_\_\_ 78
- Main/dipped beam \_\_\_\_\_ 97
- Maintenance schedule \_\_\_\_\_ 262
- Manual climate control \_\_\_\_\_ 103
- Manual gear selection \_\_\_\_\_ 164
- Manual gearbox \_\_\_\_\_ 158
- Manual tripping of car alarm \_\_\_\_\_ 52
- Materials used in the car, reclamation \_\_\_\_\_ 256
- Memory, driver's seat \_\_\_\_\_ 20
- Messages on SID, Convertible \_\_\_\_\_ 65
- Milometer \_\_\_\_\_ 83
- Mug holder \_\_\_\_\_ 130
- N**
- New tires, buying \_\_\_\_\_ 236
- Night driving \_\_\_\_\_ 190
- Number plate lighting, changing \_\_\_\_\_ 224
- O**
- ORVR \_\_\_\_\_ 200
- Oil capacity, engine \_\_\_\_\_ 271
- Opening handles \_\_\_\_\_ 42
- Opening the soft top, Convertible \_\_\_\_\_ 58
- Outside mirrors \_\_\_\_\_ 134
- Owner assistance \_\_\_\_\_ 264
- P**
- Panic function, car alarm \_\_\_\_\_ 52
- Park Brake Shift Lock \_\_\_\_\_ 160
- Park Brake Shift Lock, temporary override \_\_\_\_\_ 162
- Parking \_\_\_\_\_ 173
- Parking aid \_\_\_\_\_ 176
- Parking brake \_\_\_\_\_ 173
- Parking on a hill \_\_\_\_\_ 174
- Pinch protection, electric windows \_\_\_\_\_ 124

Pinch protection, sunroof _____	128
Plates and labels, location _____	278
Polishing and waxing _____	253
Poly-V-belt _____	210
Portable fuel container _____	155
Position lights _____	96
Power steering fluid, checking _____	207
Power steering fluid, grade _____	273
Pressure gauge _____	84
Pressure, tires _____	234
Profiles, customized settings _____	87

## Q

Quality grading, tires _____	238
Quick guide, remote control _____	43

## R

Rain sensor _____	101
Raising the soft top manually, Convertible _____	62
Reading lights, Convertible _____	72
Rear fog light _____	98
Rear seats, folding down _____	140
Rear towing eye _____	191
Rear window heating _____	107
Rearview mirrors _____	134
Recirculation _____	106

Recommendations for automatic transmission, towing a trailer _____	185
Recommendations for manual gearbox, towing a trailer _____	186
Recommended snow chains _____	275
Refueling _____	153
Remote control _____	42
Remote locking malfunction _____	44
Replacement, wheel _____	239
Reporting safety defects _____	265
Rev counter _____	82
Reversing lights _____	99
Rollover Pop-up Bars, Convertible _____	70
Roof lighting _____	129
Roof lighting, changing _____	222
Running-in _____	157

## S

SAHR, head restraint _____	21
SDM _____	266
SID _____	87
SPA _____	176
Saab Information Display _____	87
Saab Parking Assistance _____	176
Saab Trionic engine management system _____	200
Safety belts _____	12
Seatbelts _____	12
Seatbelts in rear seat, Convertible _____	69
Seatbelts, care _____	251

Seatbelts, checking _____	251
Seats _____	17
Securing a load _____	143
Sentronic, manual gear selection _____	164
Service costs _____	263
Service information _____	264
Service intervals _____	262
Service record retention _____	263
Signalling, horn _____	122
Ski hatch _____	142
Spare wheel _____	246
Speed ratings, tires _____	242
Speedometer _____	83
Starting the engine _____	148
Steering wheel adjustment _____	122
Steering wheel lock _____	148
Steps for determining correct load limit _____	245
Storage compartments _____	132
Sun visor _____	130
Sunroof _____	126
Switches _____	96

## T

TCS _____	169
Technical data _____	268
Textile carpeting, cleaning _____	252
Tie down eyes _____	143
Tightening torque, wheels _____	250



Tire chains _____	240
Tire date code _____	246
Tire inspection and rotation _____	235
Tire markings _____	242
Tire sidewall labeling _____	241
Tire sizes _____	275
Tire terminology and definitions _____	243
Tire, changing _____	248
Tire, spare _____	246
Tires _____	234
Tools and spare wheel _____	246
Touching up paintwork _____	253
Towbar _____	184
Towbar load _____	186
Towing _____	190
Towing a trailer _____	184
Towing the car _____	191
Traction Control System (TCS) _____	169
Transmission oil, checking _____	204
Transmission oil, grade _____	272
Transmission, automatic _____	159
Transmission, manual _____	158
Transporting the car _____	192
Treadwear indicators _____	236
Trip computer _____	88
Trip meter _____	83
Troubleshooting, A/C and ACC _____	257
Trunk lid, driving when open _____	189
Trunk lid, opening _____	45
Turbo gauge _____	84

**U**

Uniform tire quality grading _____	238
Upholstery care _____	251
Upholstery, cleaning _____	251
Useful tips on night driving _____	190
Useful tips on starting _____	149

**V**

Vanity mirror _____	130
Vehicle Data Collection _____	266
Vehicle identification number _____	278
Vehicle recovery _____	192

**W**

Warning labels _____	7
Warning lights _____	78
Warning triangle _____	99
Warnings and messages on SID, Convertible _____	65
Washer fluid _____	211
Washer jets _____	212
Washers _____	100
Washing _____	252
Washing a Convertible _____	253
Waxing and polishing _____	253
Wear indicators, tires _____	236

What Will You See After an Airbag Inflates? _____	37
Wheel replacement _____	239
Wheels and tires, sizes _____	275
When it is time for new tires _____	236
Windshield washers _____	100
Windshield wipers _____	100
Wing mirrors _____	134
Winter driving _____	181
Winter tires _____	245
Wiper blades _____	211
Wipers _____	100

**X**

Xenon headlights _____	214
Xenon headlights, head light levelling _	96



## Fuel

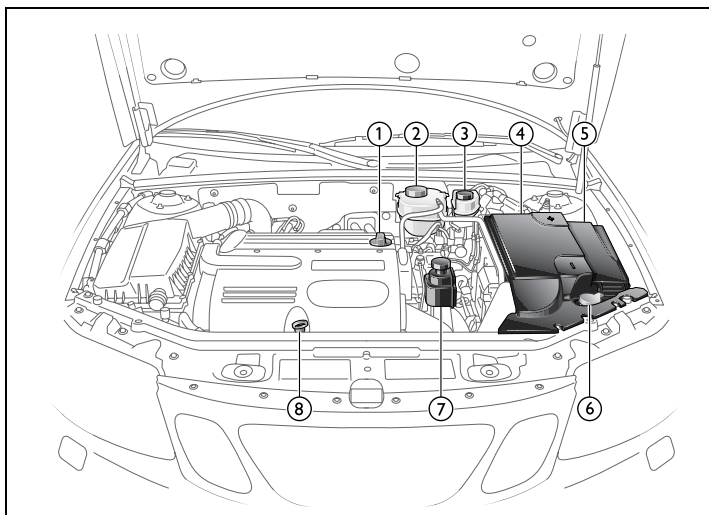
Recommended octane rating:  
Unleaded gasoline 87–93 AON

For optimum performance  
Saab recommends:

- 2.0t 175 hp – AON 90.
- 2.0T 210 hp – AON 90.

Fuel tank capacity: 16.05 g (61 l)

**IMPORTANT:** Do not overfill.  
The level must not come up into the fuel filler pipe because the fuel must have room to expand.



### 1 Engine oil

For information see chapter "Technical data".

### 2 Coolant

When the engine is cold, the coolant must not lie above the KALT/COLD mark on the expansion tank (boundary between the upper and lower sections of the tank).

Top up with a mixture of equal parts of Saab-approved anti-freeze and clean water.

### 3 Brake/clutch fluid

Top up as necessary with **DOT 4** brake fluid.

**Do not** use DOT 5 fluid.

### 4 Battery

### 5 Fuse panel

### 6 Washer fluid

### 7 Power steering

Steering-servo oil, CHF 11S (P/N 8996860). Use GM Power Steering Fluid to top up in emergency.

### 8 Dipstick, engine oil

See section "Car care" regarding engine oil level.

**NOTICE**

Change of engine oil and oil filter may be required more frequently if the car is being used under certain conditions, see section "Customer Assistance and Information".

Saab Automobile AB, Trollhättan, Sweden

**US/CA** MY2005 Ordering nr. 42 92 17.

Printed in Sweden on chlorine-free paper 2004-04.

© Copyright Saab Automobile AB, 2004.

All information and illustrations in this manual are based on the specifications that were available at the time of printing. Model variants, technical data and equipment vary from market to market, and may be altered without prior notice.

Note that illustrations in this manual can depict cars fitted with extra equipment. Your Saab dealer will be pleased to inform you of the exact specifications that apply to your market.