



ABOVE & BEYOND

CONTENTS

SPECIFICATION

LOCATE A RETAILER

BUILD YOUR OWN

DISCOVERY SPORT

2018



ABOVE & BEYOND





ABOVE & BEYOND



BY APPOINTMENT TO
HM THE QUEEN
MANUFACTURERS OF
MOTOR VEHICLES
JAGUAR LAND ROVER LIMITED
COVENTRY



BY APPOINTMENT TO
HRH THE DUKE OF EDINBURGH
MANUFACTURERS OF
MOTOR VEHICLES
JAGUAR LAND ROVER LIMITED
COVENTRY



BY APPOINTMENT TO
HRH THE PRINCE OF WALES
MANUFACTURERS OF
MOTOR VEHICLES
JAGUAR LAND ROVER LIMITED
COVENTRY



ABOVE & BEYOND

Ever since the first Land Rover vehicle was conceived in 1947, we have built vehicles that challenge what is possible. These in turn have challenged their owners to explore new territories and conquer difficult terrains. Our vehicles epitomize the values of the designers and engineers who have created them. Each one instilled with iconic British design cues, delivering capability with composure. Which is how we continue to break new ground, defy conventions and encourage each other to go further. Land Rover truly enables you to make more of your world, to go above and beyond.

CONTENTS

SPECIFICATION

LOCATE A RETAILER

BUILD YOUR OWN





ABOVE & BEYOND

CONTENTS

SPECIFICATION

LOCATE A RETAILER

BUILD YOUR OWN

DISCOVERY SPORT COMBINES DESIGN EXCELLENCE, ENGINEERING INTEGRITY AND EXCEPTIONAL VERSATILITY TO CREATE A PREMIUM COMPACT SUV.

Gerry McGovern,
Land Rover Design Director and Chief Creative Officer.



CONTENTS

DESIGN

Exterior	6
Interior	9
5 + 2 Seating	11
Cargo Space Capacity	12
Complete Dynamic Design Package	14

DRIVING TECHNOLOGY

Testing	18
Terrain Response®	20
All Terrain Progress Control	23
Hill Descent Control (HDC®)	25
Adaptive Dynamics	27
Torque Vectoring	27
Active Driveline	27
Towing Aids	29

TECHNOLOGY

Infotainment	30
Audio	32
Connectivity	34
Driver Assistance	36

COMFORT FOR ALL

ENGINES

9-speed Automatic Transmission	41
Ingenium Gas Engines	42

BODY AND CHASSIS

Strength and Stability	44
------------------------	----

ENVIRONMENTAL

Sustainability	46
----------------	----

SPECIFICATIONS

Choose Your Engine	51
Choose Your Model and Options	52
Choose Your Color	72
Choose Your Wheels	74
Choose Your Interior	76
Choose Your Accessories	84

TECHNICAL DETAILS

	90
--	----

A WORLD OF LAND ROVER

	92
--	----



Scan to view the Discovery Sport in action.

Vehicles shown are from the Land Rover global range. Specifications, options and availability will vary between markets and should be verified with your nearest Land Rover Retailer. Vehicle shown right is HSE Luxury in Scotia Grey with Black Design Package.



DESIGN

DRIVING TECHNOLOGY

TECHNOLOGY

ENGINES

BODY AND CHASSIS

ENVIRONMENTAL



ABOVE & BEYOND

CONTENTS

SPECIFICATION

LOCATE A RETAILER

BUILD YOUR OWN

DESIGN

EXTERIOR

This is a modern, relevant and compelling vehicle, with its well-proportioned compact body and purposeful stance. Its distinctive silhouette and beautifully sculpted surfaces all combine to create a vehicle that truly connects on an emotional level.

Discovery Sport is ready for anything. Characteristic design cues complement perfectly balanced proportions. Strong dynamic lines and robust detailing signal incredible breadth of capability.

Signature features include a clamshell hood and distinctive two-bar grille with hexagonal mesh.

The fast hood line with a pronounced step into the rising beltline conveys a dramatic stance, while the roof tapers subtly downwards, adding extra dynamism.



6 Vehicle shown above and right is HSE Luxury in Scotia Grey with Black Design Package.





ABOVE & BEYOND

CONTENTS

SPECIFICATION

LOCATE A RETAILER

BUILD YOUR OWN



INTERIOR

The desirability of the exterior design continues into the cabin with bold horizontal and vertical lines, complemented by clean surfaces, superb finishes and optional premium leathers that give a luxury feel to the highly versatile interior. Inside and outside seamlessly blend into a vehicle that clearly communicates its Discovery DNA, while firmly looking forward. This spirit of adventure is reflected in the vehicles interior, which has been designed with you at its core. It features high-quality materials and a strong vertical center console design to reflect the premium exterior.

The cabin is equipped with up to three 12V electrical outlets and five USB charging sockets. These can be specified for all three rows of seating, allowing multiple electronic devices to be charged simultaneously.

The optional 10" Touchscreen* is a superb addition to the contemporary, clean interior and becomes a centerpiece of the dash. With a 21:9 wide format and 80 percent more pixels than the standard 8" Touchscreen*, the feature is available on HSE and HSE Luxury models.

COMMAND DRIVING POSITION

The Command Driving Position in Discovery Sport provides a greater view of the road ahead so various terrains can be tackled with confidence.

*Driving while distracted can result in loss of vehicle control. Do not operate, adjust or view the navigation or multimedia systems under conditions that will affect your safety or the safety of others. Only use mobile phones, and other devices, even with voice commands, when it is safe to do so. Interior shown left and above is HSE Luxury in Glacier/Lunar.

Vehicle shown above right is HSE Luxury in Scotia Grey with Black Design Package.





ABOVE & BEYOND

CONTENTS

SPECIFICATION

LOCATE A RETAILER

BUILD YOUR OWN



5+2 SEATING

Discovery Sport offers exemplary levels of comfort and outstanding versatility. The second row is extremely spacious and flexible with the seats able to slide back and forth by 6.3 inches for greater cargo space or comfort.

The optional third row*, with its simple, single-handed 50:50 deployment, has been cleverly incorporated to avoid any compromises to the vehicle's exterior design, while maintaining passenger comfort.

By folding down the third row, a flat cargo space is available whenever you need it. So wherever you're seated, or whatever you want to carry, you can relax.

LEGROOM

32.6 inches



MORE LEGROOM

39.3 inches



CARGO SPACE

74.3 inches



*Not available with Si4 286HP engine.
Interior shown left is HSE Luxury in Glacier/Lunar.





ABOVE & BEYOND

CONTENTS

SPECIFICATION

LOCATE A RETAILER

BUILD YOUR OWN



CARGO SPACE CAPACITY

Deceptively roomy. Cleverly configured. Discovery Sport has been designed and engineered to meet any challenge.

The vehicle has the option of flexible seating which, when stored flat, gives a load floor that is as long as Range Rover and a maximum cargo space of 62.8 cu.ft.

Even while carrying five passengers, the cargo space is still an impressive 34.6 cu.ft. Discovery Sport can handle bulkier loads with consummate ease when the second and third rows are folded flat. Such flexibility helps make carrying family, friends and all their gear that much easier.

5 + 2 SEATS
6.8 CU.FT.

5 SEATS
34.6 CU.FT.

4 SEATS
39.7 CU.FT.

4 SEATS
44.8 CU.FT.

3 SEATS
49.8 CU.FT.

2 SEATS
60 CU.FT.





ABOVE & BEYOND

CONTENTS

SPECIFICATION

LOCATE A RETAILER

BUILD YOUR OWN

COMPLETE DYNAMIC DESIGN PACKAGE

EXTERIOR

The Discovery Sport Complete Dynamic Design Package* delivers a more assertive stance while retaining the instantly recognizable design cues of the Discovery Sport. Yet, when it comes to capability and versatility, nothing has been lost.

However, in terms of dynamism and appeal, much has been gained. The vehicle's bold new front and rear design with new contoured side moldings form a dramatic presence. This has been augmented with a new Black mesh design for the front grille and side vent. Distinctive Silver Painted Chrome look exhaust finishers together with a Red SPORT badge further enhance the appearance.



*Standard on 286HP engine models.
Vehicle shown right is HSE Luxury with Complete Dynamic Design Package in Firenze Red.



DESIGN

DRIVING TECHNOLOGY

TECHNOLOGY

DEALER COMFORT FOR ALL PROCESS

ENGINES

BODY AND CHASSIS

ENVIRONMENTAL



ABOVE & BEYOND

CONTENTS

SPECIFICATION

LOCATE A RETAILER

BUILD YOUR OWN



INTERIOR

Carefully selected sporting touches enhance the interior of the Complete Dynamic Design Package*. A choice of three color combinations help to create a vehicle with exemplary levels of finish, available in perforated Windsor leather on HSE and HSE Luxury. The interior is further enhanced with a perforated leather sport steering wheel, contrast micropiping on the seats and headrests and unique textured finish to the door inserts and fascia mid-section.

The mood is augmented with either Dark Grey or Carmine Red Brushed Aluminum center stack side rails, depending on the color combinations selected. The HSE and HSE Luxury interiors are also complemented with aluminum sport pedals.

*Standard on 286HP engine models.

Interior shown left and above is HSE Luxury with Complete Dynamic Design Package in Ebony/Ebony with Pimento stitching and piping. Interior shown with Carmine Red Brushed Aluminum center stack side rails and accessory gearshift paddles.





ABOVE & BEYOND

CONTENTS

SPECIFICATION

LOCATE A RETAILER

BUILD YOUR OWN

DRIVING TECHNOLOGY

TESTING

Before any vehicle can carry the Land Rover badge, it must complete a series of rigorous tests to establish the very highest levels of luxury, performance and capability.



SUSPENSION

You're unlikely to push any Land Rover vehicle harder than we have. For an unrivalled breadth of dynamic capability, both on and off-road, the vehicles have been exposed to ten years of the most extreme driving pressures in a fraction of the time using our state-of-the-art test rig.



WIND SPEED

Discovery Sport was developed in state-of-the-art wind tunnels and a suite of climatic chambers to recreate some of the most challenging aerodynamic conditions it will face. Only by pushing all systems to their limits do we develop true reliability.



HOT AND COLD CLIMATE

In real world environments and our climate chambers, we freeze vehicles to -40°F and bake them to 120°F. Key functions and systems are then scrutinized to our exacting standards. So even in the most remote locations, comfort and peace of mind are never far away.



OFF-ROAD

From the icy proving grounds of Arjeplog, Sweden, to Dubai's unforgiving desert sands, we ensure our legendary all-terrain performance is innate in every vehicle. Prototypes are developed across approximately 5,282 miles of the most demanding off-road routes.



SEMI-ANECHOIC CHAMBER

In the 'neutral sound' of our semi-anechoic chamber we precisely expose the cabin to a range of frequencies and vibrations, making certain that Discovery Sport sounds refined at every speed and across every surface.



MONSOON

Our water testing facilities ensure our vehicles can enter and exit a body of water without water entering the cabin. In the monsoon simulator each one is drenched with some 18,697 gallons of specially dyed water, while tilting it by as much as 45°, checking for even the slightest leak with UV lights.





ABOVE & BEYOND

CONTENTS

SPECIFICATION

LOCATE A RETAILER

BUILD YOUR OWN


TERRAIN RESPONSE®

Land Rover has always been synonymous with capability and the Discovery Sport lives up to even the most demanding expectations. Confident and responsive, the drive is further enhanced by a generous wheel articulation and innovative off-road technologies such as Terrain Response®*.

This feature is standard on all vehicles and adapts to the responses of the vehicle's engine, transmission, differentials and chassis systems to maximize driveability, comfort and traction.

There are four standard Terrain Response® settings: General Driving, Grass/Gravel/Snow, Mud & Ruts and Sand. So, the vehicle feels sure-footed in various terrains or weather conditions*.

An optional fifth setting, **Adaptive Dynamics** is also available. This mode tunes the suspension to deliver even tighter body control with flatter handling and sharper responses*.

-  Adaptive Dynamics
-  General Driving
-  Grass, Gravel, Snow
-  Mud & Ruts
-  Sand



*These systems are not a substitute for driving safely with due care and attention and will not function under all circumstances, speeds, weather and road conditions, etc. Driver should not assume that these systems will correct errors of judgment in driving. Please consult the owner's manual or your local authorized Land Rover Retailer for more details. Vehicle shown right is HSE Luxury in Scotia Grey with Black Design Package.





ABOVE & BEYOND

CONTENTS

SPECIFICATION

LOCATE A RETAILER

BUILD YOUR OWN



ALL TERRAIN PROGRESS CONTROL

All Terrain Progress Control (ATPC) is a state-of-the-art system designed to assist the drivers to set and maintain a steady speed in challenging conditions. The system is fitted as standard on all Si4 engines*.

Operating like a cruise control system, it functions at very low speeds between 1 mph and 18 mph, helping the driver to maintain full concentration on steering and finding a path through obstacles.

In addition, the system helps the vehicle to pull away smoothly and easily, even on tricky low-friction surfaces like snow or wet grass*.

Developed by Land Rover's industry-leading all-terrain specialists, it works seamlessly alongside the standard Terrain Response, 4 Wheel Drive (4WD) traction and braking systems.

Once ATPC is activated, the standard steering wheel +/- cruise control buttons are used to set the speed. Brake and accelerator pedals can still override the chosen settings.

*These systems are not a substitute for driving safely with due care and attention and will not function under all circumstances, speeds, weather and road conditions, etc. Driver should not assume that these systems will correct errors of judgment in driving. Please consult the owner's manual or your local authorized Land Rover Retailer for more details.

Vehicle shown left is HSE Luxury in Scotia Grey with Black Design Package.



DESIGN

DRIVING TECHNOLOGY

TECHNOLOGY

ENGINES

BODY AND CHASSIS

ENVIRONMENTAL



ABOVE & BEYOND

CONTENTS

SPECIFICATION

LOCATE A RETAILER

BUILD YOUR OWN



HILL DESCENT CONTROL (HDC®)

Land Rover's patented Hill Descent Control (HDC®) is a standard feature on all 4 Wheel Drive (4WD) vehicles. It assists the driver with controlled descents of difficult slopes by maintaining a constant speed and applying braking separately to each wheel*.

Hill Start Assist is designed to prevent the vehicle from rolling backwards as it pulls away on an incline*.

The vehicle also utilizes **Gradient Release Control (GRC)** which is designed to prevent the vehicle accelerating too quickly on a steep incline when the driver releases the brake*.

*These systems are not a substitute for driving safely with due care and attention and will not function under all circumstances, speeds, weather and road conditions, etc. Driver should not assume that these systems will correct errors of judgment in driving. Please consult the owner's manual or your local authorized Land Rover Retailer for more details. Vehicle shown left is HSE Luxury in Scotia Grey with Black Design Package.



DESIGN

DRIVING TECHNOLOGY

TECHNOLOGY

ENGINES

BODY AND CHASSIS

ENVIRONMENTAL



ABOVE & BEYOND

CONTENTS

SPECIFICATION

LOCATE A RETAILER

BUILD YOUR OWN



ADAPTIVE DYNAMICS

Optional* Adaptive Dynamics with advanced MagneRide™ monitors vehicle movements at least 1,000 times per second, reacting to driver or road inputs instantaneously to give greater control and minimize body lean, providing a balanced, flat ride. The system will even sense off-road conditions and optimize the advanced MagneRide™ damper settings accordingly, delivering the perfect balance of agile handling and a supple, controlled ride**.

- 1 UNADJUSTED LATERAL BODY LEAN
- 2 CORRECTED LATERAL BODY LEAN

TORQUE VECTORING

When cornering, the vehicle's agility and stability are enhanced by the Torque Vectoring by Braking system. This feature comes as standard on all vehicles. Monitoring the vehicle, the system is designed to constantly balance the distribution of torque between all the wheels to improve grip and steering whether on or off-road**.

- A UNDERSTEER DETECTED
- B FULL TORQUE TO OUTER WHEELS
- C BRAKING FORCE TO INNER WHEELS
- D LINE CORRECTED

ACTIVE DRIVELINE

Optional* Active Driveline delivers benefits in both on and off-road situations. In many on-road driving conditions, the system is able to disconnect drive to the rear of the vehicle. A sophisticated control strategy continuously monitors key vehicle and environmental parameters.

If the requirements for 4WD are met, the system seamlessly and imperceptibly reconnects drive to the rear of the vehicle within 300 milliseconds. When off-road driving, torque to each rear wheel can be varied according to the available grip. A dedicated display on the Touchscreen relays detailed information, so you always feel in control.

- 3 2 WHEEL DRIVE (2WD)
- 4 4 WHEEL DRIVE (4WD) ACTIVATED

*Not available on SE **These systems are not a substitute for driving safely with due care and attention and will not function under all circumstances, speeds, weather and road conditions, etc. Driver should not assume that these systems will correct errors of judgment in driving. Please consult the owner's manual or your local authorized Land Rover Retailer for more details. MagneRide™ is a registered trademark of BWI Company Limited S.A. Vehicle shown left and above is HSE Luxury with Dynamic Design Package in Firenze Red. Vehicle shown above right is HSE Luxury in Scotia Grey.





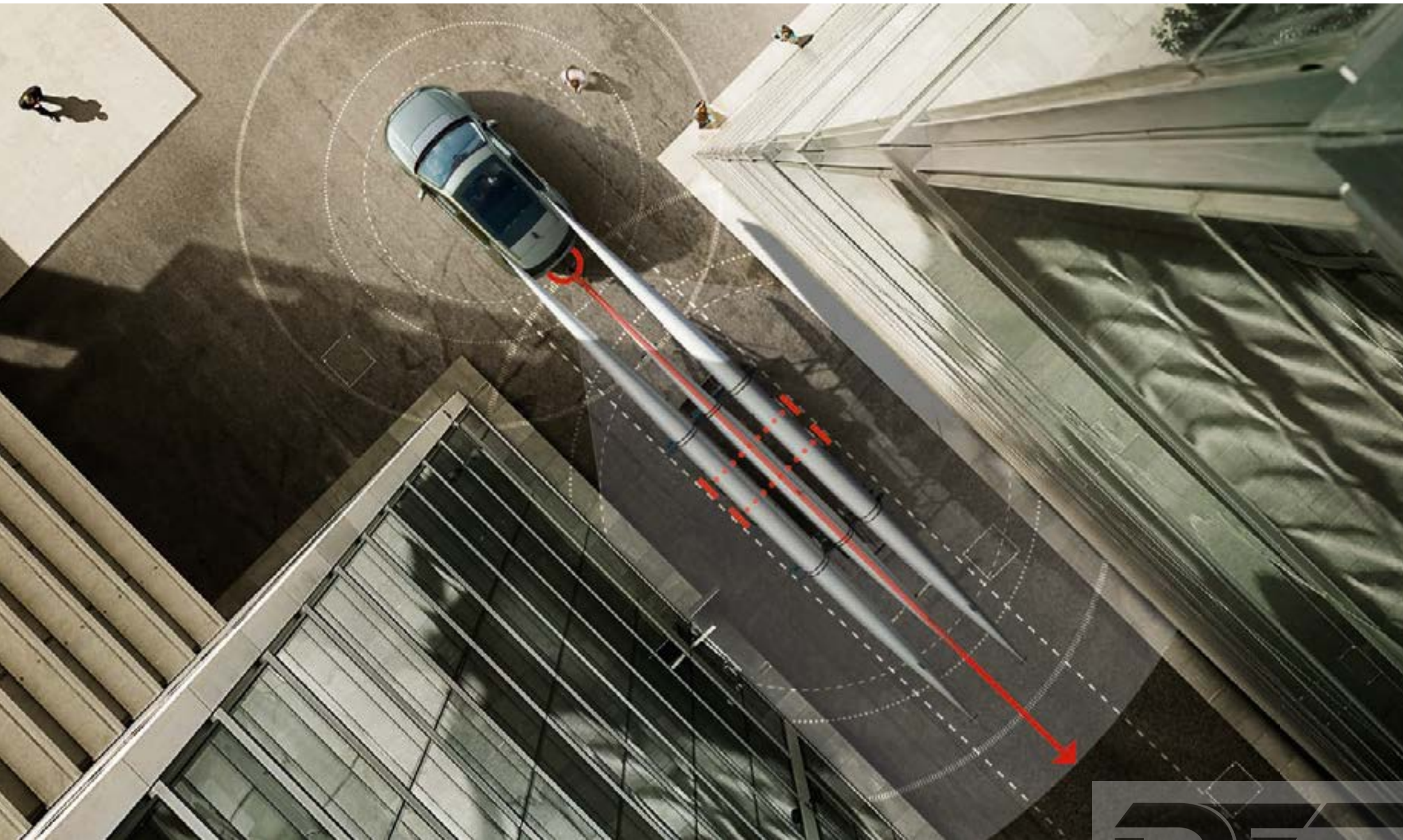
ABOVE & BEYOND

CONTENTS

SPECIFICATION

LOCATE A RETAILER

BUILD YOUR OWN



TOWING AIDS

With a towing capacity of up to 4,400 lbs, and by incorporating tailored technologies, Discovery Sport can handle the most demanding of tasks.

REAR VIEW CAMERA*

Providing improved visibility when reversing, the Rear View Camera is a valuable parking aid and offers help when hitching a trailer. Fitted as standard on SE, HSE and HSE Luxury.

Tow Hitch Assist makes coupling a trailer to the vehicle much easier by helping you visualize the hitching process*; it displays the predicted path of the vehicle towards the tow bar on the Touchscreen. Standard with Rear View Camera.

TRAILER STABILITY ASSIST

Trailer Stability Assist monitors the vehicle to detect movements in the trailer and then uses selective braking to help correct potentially hazardous situations*.

SURROUND CAMERA SYSTEM

As part of the Surround Camera System, the Tow Assist feature helps with reversing by predicting the trailer's direction*. You can even input your trailer's width for precise guidelines displayed on the Touchscreen.

*These systems are not a substitute for driving safely with due care and attention and will not function under all circumstances, speeds, weather and road conditions, etc. Driver should not assume that these systems will correct errors of judgment in driving. Towing regulations vary. Please ensure you comply with relevant legislation in the US. Touchscreen shown is 10" Touch Pro. Vehicle shown left and above is HSE Luxury in Scotia Grey.



DESIGN

DRIVING TECHNOLOGY

TECHNOLOGY

ENGINES

BODY AND CHASSIS

ENVIRONMENTAL



ABOVE & BEYOND

CONTENTS

SPECIFICATION

LOCATE A RETAILER

BUILD YOUR OWN



TECHNOLOGY

INFOTAINMENT

Land Rover InControl® is our suite of advanced technologies that links both you and your Discovery Sport to the wider world. Choose from two InControl infotainment systems: Touch or Touch Pro*.



HEAD-UP DISPLAY

Head-up Display is a technology option that presents key vehicle data such as vehicle speed, gear position and navigation directions on the windshield, without the need for the driver to take their eyes off the road**.

This innovative laser system is more robust against issues such as 'washout' – the effect that the glare from sunlight has on inferior LED-based systems. The feature can be turned on and off dependent upon driver preference. Available as an option† on HSE & HSE Luxury models, Touch and Touch Pro are part of the Head-up Display and Park Assist Package.



TOUCH*

STANDARD ON SE, HSE AND HSE LUXURY MODELS

- 8" Touchscreen
- Land Rover Enhanced Sound System 190W with 10 speakers (Standard on SE and HSE models)
- Meridian™ Sound System 380W with 11 speakers including the subwoofer (Standard on HSE Luxury and optional on SE and HSE models)
- Protect consists of SOS Emergency Call, Land Rover Optimized Assistance and Remote smartphone app.

OPTIONAL

- Navigation including Voice Recognition (Standard on HSE Luxury and optional on SE and HSE models)
- Sirius XM™ Satellite Radio† and HD Radio™
- InControl Apps features a range of Land Rover approved apps that can be connected to Discovery Sport from your smartphone, to enhance aspects of your in-car experience (Standard on HSE Luxury and optional on SE and HSE, when Navigation is selected)
- Wi-Fi Hotspot^Δ.



TOUCH PRO*

AVAILABLE AS AN OPTION ON HSE AND HSE LUXURY MODELS

- 10" Touchscreen
- Meridian™ Surround Sound System 825W with 17 speakers including the subwoofer
- Navigation Pro
- Voice Recognition
- CD/DVD player
- Pro Services including Wi-Fi Hotspot^Δ, Route Planner app, Share ETA, Live Services, Commute Mode, Arrival Mode and Arrival Mode Parking
- Protect (Standard on all models).

OPTIONAL

- Sirius XM® Satellite Radio† and HD Radio™ (Standard on HSE Luxury and optional on SE and HSE models)
- InControl Apps (Standard on HSE Luxury and optional on SE and HSE).

*Do not use Land Rover InControl® features under conditions that will affect your safety or the safety of others. Driving while distracted can result in loss of vehicle control **These systems are not a substitute for driving safely with due care and attention and will not function under all circumstances, speeds, weather and road conditions, etc. Driver should not assume that these systems will correct errors of judgment in driving. Please consult the owner's manual or your local authorized Land Rover Retailer for more details †Not available on SE.

Find out more about Land Rover InControl at landroverusa.com/incontrol

As we roll out InControl, specific features described may be optional, and market or powertrain dependent. Please consult your country-specific Land Rover website or local Land Rover Retailer for availability and full terms in your country. Certain features require an appropriate SIM with a suitable data contract which will require further subscription after the initial term advised by your Retailer. Mobile connectivity cannot be guaranteed in all locations.

†A 3-month trial subscription to the Sirius XM All Access Package is included with the vehicle, which gives you access to 175+ channels of premium programming. Plus you can stream Sirius XM on your computer, smartphone or tablet – it's included in your trial. If you decide to continue service after your trial, the subscription plan you choose will automatically renew thereafter and you will be charged according to your chosen payment method at then-current rates. Fees and taxes apply. To cancel you must call Sirius XM at 1-866-635-2349. See the Sirius XM Customer Agreement for complete terms at siriusxm.com. All fees and programming are subject to change. Sirius XM Satellite Radio is not available in Alaska, Hawaii, or Puerto Rico. ^ΔOnly available as part of the Entertainment Package and Driver Assist Plus Package. ^ΔThe Wi-Fi Hotspot is intended for passenger use only. InControl features may require an additional subscription with separate terms and conditions. Please refer to the standard and optional feature listing on pages 72-73. Vehicle shown left is HSE Luxury in Yulong White.





ABOVE & BEYOND



AUDIO

For the sharpest sound quality, Discovery Sport offers you the choice of three exceptional audio systems. With 10 speakers, the Land Rover Enhanced Sound System in Discovery Sport SE and HSE delivers a crisp, well-balanced sound.

Added to which, Land Rover has partnered with Meridian™, a world leader in high-performance audio technologies and digital sound processing, to develop advanced audio systems for Discovery Sport.

Dynamic Volume Control technology has been integrated on all Meridian sound systems, to ensure that any unwanted noise detected in the cabin will be smoothly and automatically balanced out.

The Meridian™ Sound System 380W is optional on SE and HSE and standard on HSE Luxury as part of the Touch suite of features. This sound system includes

11 speakers including a subwoofer, delivering exceptional definition, crystal clear highs and full, deep bass through the careful arrangement of speakers.

Discovery Sport also offers an optional upgrade from the 380W system to the Touch Pro Meridian™ Surround Sound System, which produces 825W through 17 speakers including a subwoofer.

This system also includes Meridian Trifield™ technology. This technology delivers the very best in world-class audio reproduction, bringing you closer to the original performance regardless of your position in the vehicle; everyone will feel and hear pure musical enjoyment.

Meridian is a trademark of Meridian Audio Limited. Trifield and the "three fields" device is a trademark of Trifield Productions Ltd. Interior shown left is HSE Luxury in Glacier/Lunar. Touchscreen shown is 10" Touch Pro. Vehicle shown right is HSE Luxury in Yulong White.

CONTENTS

SPECIFICATION

LOCATE A RETAILER

BUILD YOUR OWN



MERIDIAN SURROUND SOUND SYSTEM

825 WATTS

16 SPEAKERS

SUBWOOFER





ABOVE & BEYOND

CONTENTS

SPECIFICATION

LOCATE A RETAILER

BUILD YOUR OWN

CONNECTIVITY

Touch and Touch Pro provide a wealth of information and entertainment. This intuitive InControl® technology can help you find a parking space and stream your favorite music. Making life more rewarding, hassle-free and enjoyable*.

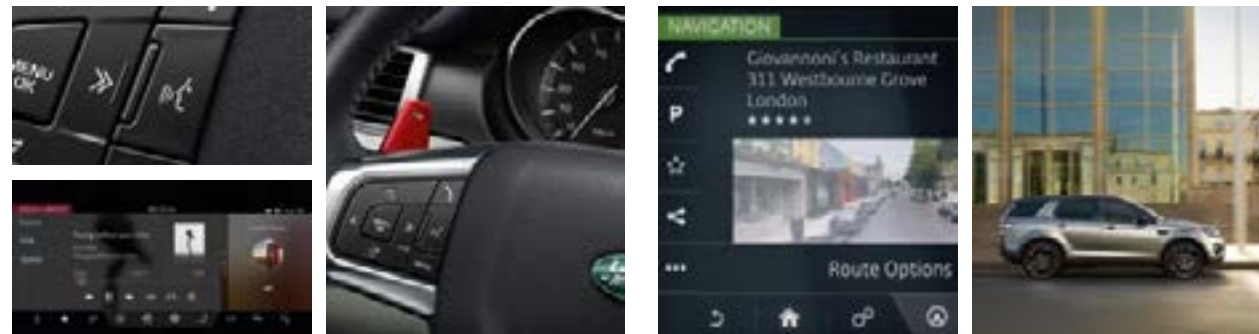


PLANNING ROUTES

Before setting off, use the **Route Planner** app or online portal to search, save locations or set your destination. The app uses the Cloud to send your destination automatically to your vehicle's navigation screen*. Only available with the Entertainment Package and Driver Assist Plus Package (Touch Pro).

STAYING CONNECTED

Before you get into your vehicle, set your ideal cabin temperature with the **Remote** app on smartphones and now the Apple Watch. On the road, the optional in-car **Wi-Fi Hotspot** provides a stable Internet connection and lets you connect up to eight devices**. Available with the Entertainment Package and Driver Assist Plus Package (Touch Pro).



STAYING FOCUSED

Our Touch and Touch Pro **Voice Recognition** system understands normal spoken instructions. So you can concentrate on the road ahead without any distractions*.

FINDING PARKING

When you near your destination, **Navigation Pro** will suggest nearby parking from a database including space availability. With just one click, your parking is added and your route is updated. **Arrival Mode Parking** shows a 360° street level image to help you identify your destination. Only available with Touch Pro*.



MOVING FASTER

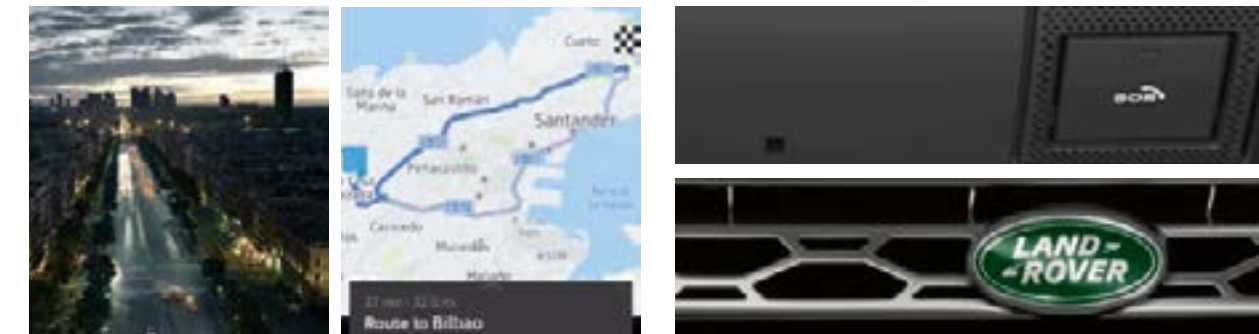
Touch Pro brings you more processing power, thanks to a quad core processor and Solid State Drive based system - this adds to the system "moving faster"*. Customizable homescreens let you arrange the screen, as you like, with up to four personalized homescreens and over 60 shortcuts.

INTELLIGENT ROUTING

Commute Mode allows the system to learn your commutes and automatically advises you of the expected travel time based on live and historical traffic movements without having to input a destination. The system learns the routes you take for a given destination and then advises which of those is the quickest. Only available with the Entertainment Package and Driver Assist Plus Package (Touch Pro).

SHARING PROGRESS

Share your estimated time of arrival so your selected contact(s) will know exactly when you will arrive, as calculated by the navigation guidance system. If you're running late, **Share ETA** can then send automatic updates via text or email, without any further action from you*. Only available with the Entertainment Package and Driver Assist Plus Package (Touch Pro).



DOOR-TO-DOOR

Once you've parked, the **Route Planner** app will guide you to your destination - a true door-to-door experience which includes public transportation options. Only available with the Entertainment Package and Driver Assist Plus Package. The **Remote** app also lets you check your vehicle to make sure you've locked and secured all doors and windows. Standard with Touch or Touch Pro.

HELP IS ALWAYS AT HAND

With **Protect**, in the event of an incident where the airbags were deployed, **SOS Emergency Call** will automatically connect you to the emergency response team who will send the emergency services to your location. Otherwise, you can call them manually via an in-car button. You can also summon a Land Rover Optimized Assistance operator should you need technical assistance. Standard on SE, HSE, and HSE Luxury.

*Do not use Land Rover InControl® features under conditions that will affect your safety or the safety of others. Driving while distracted can result in loss of vehicle control. **The Wi-Fi Hotspot is intended for passenger use only. InControl features may require an additional subscription with separate terms and conditions.

InControl® features, options and their availability remain market and powertrain dependent - check with your Retailer for local market availability and full terms. Certain features require the fitment of Connect Pro and a Micro SIM with a suitable data contract which will require further subscription after the initial term advised by your Retailer. Apple Watch® is a registered trademark of Apple Inc., registered in the US and other countries. Mobile network connectivity cannot be guaranteed in all locations. InControl Apps will need to be downloaded from the Apple/Android Store, please contact your nearest Land Rover Retailer for further information.





ABOVE & BEYOND

CONTENTS

SPECIFICATION

LOCATE A RETAILER

BUILD YOUR OWN

DRIVER ASSISTANCE

DRIVING AIDS



LANE KEEP ASSIST AND DRIVER CONDITION MONITOR*

Lane Keep Assist is designed to detect when your vehicle is unintentionally drifting out of your lane, and to gently steer you back. Driver Condition Monitor detects if you're starting to feel drowsy and gives you an early warning when you need to take a break.



ADAPTIVE CRUISE CONTROL WITH QUEUE ASSIST AND INTELLIGENT EMERGENCY BRAKING*

When you're cruising on the highway or traveling in slow-moving traffic, this system is designed to keep your vehicle a set distance from the one in front should it slow or stop. Should the vehicle in front stop completely, your vehicle will come to a smooth halt. Once the traffic moves, simply touch the accelerator and Adaptive Cruise Control will resume following the car in front. The system operates from 10 mph up to highway speeds.



AUTONOMOUS EMERGENCY BRAKING*

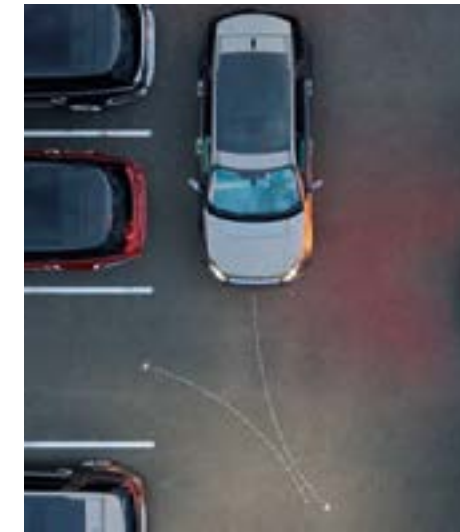
If a potential frontal collision is detected, this system displays a forward collision warning, giving you time to take action. A camera at the front of the vehicle monitors at speeds from 3 mph to 50 mph for frontal collisions. If a collision is still anticipated and you have taken no action, this system is designed to apply the brakes to help reduce the severity of the possible impact.



BLIND SPOT MONITOR AND REVERSE TRAFFIC DETECTION*

Blind Spot Monitor is designed to alert you to vehicles in, or quickly approaching your blind spot through a small warning light in the corresponding door mirror. Reverse Traffic Detection warns you of hazards, approaching from either side of your vehicle, through both audible and visual warnings so you know what's behind you even when the view is obstructed.

PARKING AIDS



PARK ASSIST*

Our Park Assist system makes parallel and perpendicular parking easier than ever by automatically steering your vehicle into a suitable space. You just have to select the appropriate gear and control the vehicle's speed with the brake and accelerator pedals. Graphics and notifications guide you through the maneuvers. Park Assist will also steer you out of a parallel parking space, taking the stress out of parking.



REAR VIEW CAMERA*

To make parking in tight spots simpler, static lines to represent the vehicles, outer perimeter and predicted path are superimposed on the rearward image displayed on your Touchscreen.



SURROUND CAMERA SYSTEM*

Using four digital cameras discreetly placed around the vehicle, the system provides an almost complete 360° view including a birds-eye overhead view via the Touchscreen. This helps with various maneuvers from parking by a curb, to getting in and out of tight spaces and intersections.



GARAGE DOOR OPENER (HOMELINK®)

The Garage Door Opener (HomeLink®) system is a universal transmitter fitted to the underside of the interior rear view mirror. This transmitter can be programmed to operate up to three home or office wireless controlled systems, such as garage doors, automatic gates, or security lighting. By replacing the individual remote control units normally required for each system, the driver no longer needs to search the car interior for the correct handset when needed.

*These systems are not a substitute for driving safely with due care and attention and will not function under all circumstances, speeds, weather and road conditions, etc. Driver should not assume that these systems will correct errors of judgment in driving. Please consult the owner's manual or your local authorized Land Rover Retailer for more details.



HomeLink® is the registered trademark of Gentex Corporation. Touchscreen shown is 10" Touch Pro. Features and their availability may differ by vehicle specification. Please see pages 58-71, or contact your nearest Land Rover Retailer for more information.



ABOVE & BEYOND

CONTENTS

SPECIFICATION

LOCATE A RETAILER

BUILD YOUR OWN

COMFORT FOR ALL

SEATING

As a part of the Cold Climate Package, heated front and rear seats are available on SE.

For the ultimate comfort whatever the temperature, heated and cooled front seats are available on HSE and HSE Luxury, as part of the Cold Climate Package. This option provides ventilation through perforations in the perforated grained leather and perforated Windsor leather seats, dependent on model specification. The driver and passenger preferences can be independently controlled via the Touchscreen*.

CONFIGURABLE AMBIENT INTERIOR LIGHTING

New levels of ambient refinement and personalization have been reached with Configurable Ambient Interior Lighting fitted as standard on HSE Luxury.

This feature allows you to vary the color and shade, changing the ambience of the cabin to suit your mood. There are five colors in total, ranging from Ice White through to Moonlight and Racing Red.

PANORAMIC ROOF**

The full glass fixed panoramic roof enhances the sense of space in the vehicle's interior and floods it with natural light as well as providing uninterrupted views of the surrounding environment.

Importantly, the toughened glass has a dark tint to maintain a comfortable temperature inside the cabin and protect occupants and the interior from the sun's rays. A full-sized, powered interior blind is also provided for those who may prefer a more private experience.

POWERED GESTURE TAILGATE

Powered gesture tailgate allows you to operate the tailgate (both to open and close) from outside the vehicle without needing to physically touch the vehicle or the smart key.

Provided that the smart key is detected, the tailgate may be operated by a kicking gesture underneath the rear of the vehicle.

Two sensors mounted on either side of the tailgate allow curbside operation, rather than needing to be immediately behind the vehicle. And as the system is compatible with towing solutions, you can still open and close the tailgate with the least amount of fuss. Powered gesture tailgate is fitted as standard on HSE and HSE Luxury and available as an option on SE as part of the Convenience Package.

Additionally, a button located inside the tailgate or on the smart key allows the tailgate to be closed automatically with powered tailgate.

USB CHARGING POINTS

Want to charge a games console, tablet or smartphone while you're on the move? Discovery Sport has the option of five USB charging ports throughout all rows, to make charging your devices effortlessly simple.



*Driving while distracted can result in loss of vehicle control. Do not operate, adjust or view the navigation or multimedia systems under conditions that will affect your safety or the safety of others. Only use mobile phones, and other devices, even with voice commands, when it is safe to do so **Not available on the SE model.

Touchscreen shown is 10" Touch Pro. Vehicle shown right is HSE Luxury in Yulong White. Interior shown right is HSE Luxury in Glacier/Lunar.





ABOVE & BEYOND

CONTENTS

SPECIFICATION

LOCATE A RETAILER

BUILD YOUR OWN



ENGINES

9-SPEED AUTOMATIC TRANSMISSION

The lightweight, compact 9-speed Automatic Transmission provides optimum fuel economy and CO₂ emissions, as well as greater control in low-grip conditions or when towing through the specially designed, ultra-low first gear.

The transmission is specifically designed for transverse applications, and is one of the most efficient and technically advanced ever used in a production Land Rover vehicle. Two patented dog clutches replace the bulkier conventional set-up, allowing small ratio steps to give better response during acceleration, plus improved shift quality, drive and refinement.

The higher top gear not only reduces fuel consumption but the lower engine revs improve comfort and reduce noise when cruising at a sustained speed. The 9-speed Automatic Transmission is extremely robust and perfectly complements Land Rover's rugged all-terrain ability while delivering exceptionally high levels of refinement.



Vehicle shown left is HSE Luxury in Scotia Grey.





ABOVE & BEYOND

CONTENTS

SPECIFICATION

LOCATE A RETAILER

BUILD YOUR OWN



INGENIUM GAS ENGINES

Si4 237HP

The Ingenium 2.0 liter 4-cylinder 237HP Turbocharged Gas engine produces 251 lb-ft of torque and delivers outstanding fuel economy and driveability.

- The intelligent Continuously Variable Valve Lift (CVVL) system varies the extent to which inlet valves are opened, reducing engine-pumping losses. This lets the engine 'breathe' with maximum efficiency, optimizing power and torque.
- CVVL works in combination with dual independent variable cam timing for ultimate operating flexibility, resulting in excellent power across the rev range.
- For excellent acceleration and effortless overtaking, maximum torque is available at 1,250rpm.
- The twin scroll turbocharger is fed by an integrated exhaust manifold which increases the transfer of energy to the turbine – significantly reducing turbo lag and improving engine response.

Si4 286HP

The high performance Ingenium 286HP 2.0 liter 4-cylinder Turbocharged Gas engine features upgrades to the boosting system.

- Delivering a peak torque of 295 lb-ft at 1,500 rpm.
- The uprated turbocharger features a high flow compressor wheel delivering 26% more air, enabling a peak power output of 286HP.
- The twin-scroll turbocharger features ceramic ball-bearings which reduces friction and improves transient response.



	ACCELERATION 0-60MPH (SECONDS)*	TOP SPEED (MPH)*
2.0L Si4 Gas 237HP (Automatic)	7.1 / 7.4 (5 + 2 seats)	127
2.0L Si4 Gas 286HP (Automatic)	6.3	137

*Always follow local speed limits.
The high powered Si4 286HP engine comes with the Dynamic Design Package as standard featuring a unique bumper. Fog lights not available.





ABOVE & BEYOND

CONTENTS

SPECIFICATION

LOCATE A RETAILER

BUILD YOUR OWN

BODY AND CHASSIS

STRENGTH AND STABILITY

BODY

Discovery Sport features a strong, lightweight body structure which has been developed using advanced, weight-saving materials to deliver outstanding stiffness and refinement together with exemplary characteristics.

The structure is based on a steel monocoque foundation which is derived from Land Rover's compact SUV platform.

Lightweight technologies are used extensively in the body design including:

- Optimized steel body construction
- Aluminum hood, roof and tailgate panels
- Lightweight aluminum suspension components
- Magnesium cross car beam and front end carrier.

CHASSIS AND VEHICLE DYNAMICS

Discovery Sport has a chassis which has been specially developed by Land Rover engineers to deliver agile and refined on-road dynamics along with the brand's legendary all-terrain capability. Lightweight aluminum chassis components are used extensively to improve suspension performance by increasing stiffness and reducing unsprung weight, while also reducing total vehicle weight.

The chassis features a number of innovations, such as Electric Power Assisted Steering (EPAS), which help the vehicle achieve its unique dynamic character.

FRONT SUSPENSION

Aluminum components are used within the front suspension. The front suspension struts have advanced hydraulic rebound stops which help to manage the noise and loads caused by severe impacts such as speed humps, to maintain composure in urban and off-road environments.

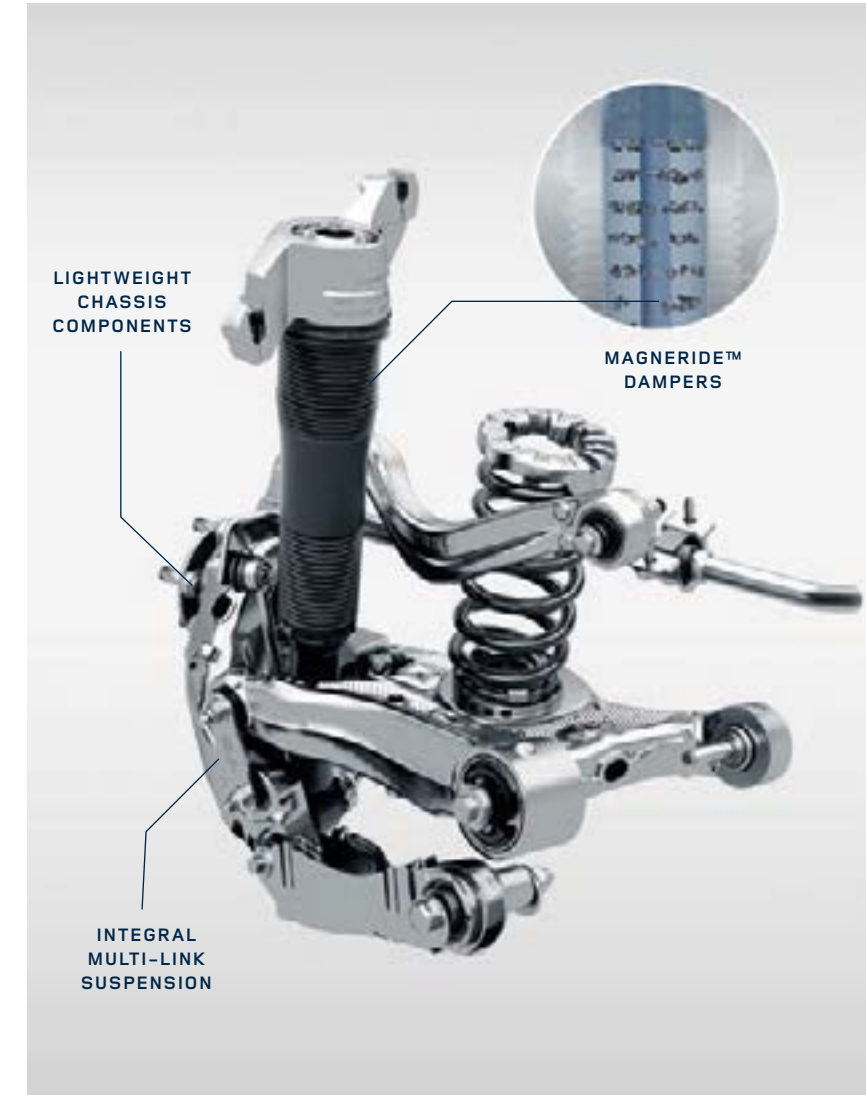
COMPACT REAR SUSPENSION DESIGN

Discovery Sport has a fully independent suspension system with an advanced multi-link rear suspension design. This delivers enhanced dynamics and refinement together with a compact layout to provide increased interior space.

The system has been specifically developed to enhance the Discovery Sport unrivalled breadth of capability, offering responsive and agile handling together with supreme ride quality and refinement. Excellent wheel travel and articulation helps the vehicle achieve legendary Land Rover off-road performance.

The compact aluminum multi-link layout also creates a much more spacious rear compartment, with enhanced shoulder and elbow room, the option* of 5 + 2 seating and increased luggage space.

Mounted on an optimized steel subframe, the system is light and stiff for optimum steering response, chassis performance and refinement.





ABOVE & BEYOND

CONTENTS

SPECIFICATION

LOCATE A RETAILER

BUILD YOUR OWN

ENVIRONMENTAL SUSTAINABILITY



Sustainability is at the heart of everything we do and consequently all powertrains on Discovery Sport have been optimized to enhance sustainability by minimizing fuel consumption and CO₂ emissions.

Gas engines feature the latest high-pressure direct injection technology and state-of-the-art low-friction designs which have been carefully developed to minimize frictional losses. While the 9-speed Automatic Transmission is specified with the latest low viscosity transmission fluid to maximize efficiency.

An advanced intelligent Stop/Start system is standard on all automatic models which automatically shuts down the engine in just 300 milliseconds when the vehicle comes to rest.

A smart regenerative charging electrical system has also been introduced which has an intelligent power management system to prioritize charging when the vehicle is decelerating, capturing the wasted kinetic energy and reducing the fuel demand of the electrical system.

With up to 35 lbs of recycled plastic on the Discovery Sport Turbocharged i-4 engine, as well as up to 49 lbs of renewable and natural materials in each vehicle, we are taking big steps in reducing our environmental footprint.



ECO MODE

This standard feature when activated prioritizes the most efficient vehicle settings including automatic transmission, **Active Driveline*** and comfort features like heating and air conditioning in order to minimize fuel consumption and CO₂ emissions.

The ECO Data feature provides drivers with information and feedback via the Touchscreen to help them adopt more economical driving habits.

OPTIMIZED AERODYNAMICS

With its more streamlined profile, Discovery Sport is one of the most aerodynamic Land Rover vehicles.



LIGHTWEIGHT MATERIALS

To optimize vehicle performance and efficiency, Discovery Sport has been developed using lightweight materials and technologies. The vehicle has been designed with key weight-saving technologies including an optimized steel body construction, aluminum hood, roof and tailgate panels, lightweight aluminum suspension components and a magnesium cross car beam and front end carrier.

The 4 Wheel Drive (4WD) components have also been optimized for weight. The interior has also been designed with efficiency in mind, with optimized seat structures which use laser-welded high tensile steel.

LIFE CYCLE ASSESSMENT

In order to minimize the vehicle's overall ecological impact, Discovery Sport is designed with a life cycle approach, aiming to minimize the environmental impact by considering the entire life cycle of the vehicle: from development and manufacturing, through customer use, to end-of-life recycling and re-use. Each element of the life cycle was analyzed with a view to consuming fewer natural resources, using more sustainable materials and minimizing the generation of waste.



*Please contact your nearest Land Rover Retailer for feature availability.



ABOVE & BEYOND

CONTENTS

SPECIFICATION

LOCATE A RETAILER

BUILD YOUR OWN

DISCOVERY SPORT OFFERS YOU GREAT OPTIONS AND FLEXIBILITY TO PERSONALIZE YOUR VEHICLE.

50-51

1

**STEP 1
CHOOSE YOUR ENGINE**

You can select from a choice of powerful gas engines.

52-71

2

**STEP 2
CHOOSE YOUR MODEL AND OPTIONS**

Compare the standard and optional features on each model.

72-73

3

**STEP 3
CHOOSE YOUR COLOR**

There's a wide range offered to enable you to express yourself.

74-75

4

**STEP 4
CHOOSE YOUR WHEELS**

There's a range of styles, each one designed to complement the bold exterior.

76-83

5

**STEP 5
CHOOSE YOUR INTERIOR**

When you choose your interior, you can personalize it by selecting your optimum seat configuration, the ideal color combination of seats, materials and your preferred finisher. These three considerations help celebrate and enhance a sense of your own style.

84-89

6

**STEP 6
CHOOSE YOUR ACCESSORIES**

This range of stylish and practical accessories can be tailored to suit any lifestyle.

90-91

TECHNICAL DETAILS

Technical information and data for dimensions, performance and specifications.





ABOVE & BEYOND

CONTENTS

SPECIFICATION

LOCATE A RETAILER

BUILD YOUR OWN

STEP 1
CHOOSE YOUR ENGINE

1



DRIVELINE AND ENGINE PERFORMANCE

The superbly engineered 2.0 liter Turbocharged 4-cylinder engines are paired with a 9-speed Automatic Transmission.

	GAS	
	2.0L Si4 AUTOMATIC 237HP	2.0L Si4 AUTOMATIC 286HP
	Driveline	4 Wheel Drive (4WD)
Seating	5 / 5 + 2	5
Power (HP)	237	286
Maximum torque lb-ft / rpm	251 / 1,250	295 / 1,500
Capacity (cc)	1,998	1,998
No. of cylinders	4	4
Valves per cylinder	4	4
Cylinder layout	In-Line	In-Line

MODELS BY ENGINE

	SE	HSE	HSE LUXURY
2.0L Si4 Gas 237HP (Automatic)	■	■	■
2.0L Si4 Gas 286HP (Automatic)	-	■	■

■ Standard - Not Available.

Official EU test figures. For comparison purposes only. Real world figures may differ. Low fuel warning at 9 liters approximately. Vehicle shown left is HSE Luxury in Scotia Grey.

Visit landroverusa.com to configure your vehicle online. 51



ENGINE

MODEL AND OPTIONS

COLOR

INTERIOR

LAND ROVER GEAR

TECHNICAL DETAILS



ABOVE & BEYOND

CONTENTS

SPECIFICATION

LOCATE A RETAILER

BUILD YOUR OWN

STEP 2
CHOOSE YOUR MODEL AND OPTIONS

2

EACH MODEL HAS A CHOICE OF ENGINES AND UNIQUE FEATURES

This guide will help you to select your ideal Discovery Sport. On the following pages you'll see the key standard features for each model.

DISCOVERY SPORT SE



- Dark Atlas grille with Narvik Black surround
- Dark Atlas fender vents
- Body-colored mirror caps and door handles
- Dark Techno Silver tow eye covers
- 18" 9 Spoke 'Style 109' alloy wheels
- Power fold, heated door mirrors with approach lights
- Automatic headlights with rain sensing wipers
- Land Rover Enhanced Sound System 190W with 10 speakers
- Leather steering wheel
- Partial grained leather seats
- 10-way electric front seats
- Two-zone Climate Control with second row vents
- Ambient Interior Lighting
- Remote and Protect
- Rear Parking Aid*
- Rear View Camera*
- Cruise Control and Speed Limiter*
- All Terrain Progress Control*.

DISCOVERY SPORT HSE



- Contents of SE, plus:
- Front fog lights**
- Garage Door Opener (HomeLink®)
- Front Parking Aid*
- Keyless Entry.
- Replaces SE content:
- Auto-dimming, power fold, heated door mirrors with memory and approach lights
- Atlas fender vents and grille with Narvik Black surround
- White Silver tow eye covers
- Xenon headlights with LED signature
- Fixed panoramic roof
- 18" 5 split-spoke 'Style 511' alloy wheels¹
- Perforated grained leather seats
- 12-way electric front seats with memory.

**Not available on S14 286HP engine. ¹S14 286HP models will feature 20" 5 split-spoke 'Style 511' with Gloss Black finish alloy wheels.

DISCOVERY SPORT HSE LUXURY



- Contents of HSE, plus:
- SD Navigation System
- SiriusXM Satellite & HD Radio
- InControl Apps
- Premium carpet mats
- Configurable Ambient Interior Lighting
- Illuminated aluminum front tread plates with Discovery script
- Meridian™ Sound System (380W).
- Replaces HSE content:
- Noble Plated upper and lower door handles
- Atlas fog light surrounds, tailgate finisher and Discovery script (hood and tailgate)
- 19" 9 spoke 'Style 902' with Diamond Turned finish alloy wheels¹
- Perforated Windsor leather seats.

*These systems are not a substitute for driving safely with due care and attention and will not function under all circumstances, speeds, weather and road conditions, etc. Driver should not assume that these systems will correct errors of judgment in driving. Please consult the owner's manual or your local authorized Land Rover Retailer for more details. Vehicle shown is SE with optional Vision Assist Package.



To view the full list of standard and optional features available on each Discovery Sport derivative please see the accompanying Specification and Price Guide or visit landroverusa.com. HomeLink® is the registered trademark of Gentex Corporation.



ABOVE & BEYOND

CONTENTS

SPECIFICATION

LOCATE A RETAILER

BUILD YOUR OWN

STEP 2
CHOOSE YOUR MODEL AND OPTIONS



PERSONALIZING THE EXTERIOR

COMPLETE DYNAMIC DESIGN PACKAGE

Bold. Arresting. Discovery Sport has been designed without compromise. Exterior enhancements include a new front and rear design with new contoured side moldings which form a dramatic presence. This has been augmented with a new Black mesh design for the front grille and side vent. Distinctive Silver Painted Chrome look exhaust finishers together with a Red SPORT badge further enhance the appearance.

Carefully selected interior touches add to the impact of your chosen color combination; so too does the use of such materials as perforated Windsor leather on HSE and HSE Luxury.

Premium details include contrast micropiping on the seats and headrests, a perforated leather sport steering wheel and unique textured finish to the door inserts and fascia mid-section. Depending on your chosen color combination, Dark Grey or Carmine Red Brushed Aluminum center stack side rails complete the look. The interior is further enhanced on HSE and HSE Luxury with aluminum sport pedals.



Narvik Black fog light surround*



20" 5 split-spoke 'Style 511' with Gloss Black finish



Chrome exhaust finishers



Carmine Red Brushed Aluminum center stack side rails





ABOVE & BEYOND

CONTENTS

SPECIFICATION

LOCATE A RETAILER

BUILD YOUR OWN

STEP 2
CHOOSE YOUR MODEL AND OPTIONS



BLACK DESIGN PACKAGE**

The Black Design Package gives the overall design of the vehicle a more assertive appearance, with exterior elements changed to Narvik Black and a choice of distinctive Gloss Black alloy wheels.



Narvik Black grille and surround



Narvik Black mirror caps



Narvik Black fender vents



Choice of 18", 19" and 20" Gloss Black alloy wheels*



*Dependent on model selected **Not available with Si4 286HP engine.

ENGINE

MODEL AND OPTIONS

COLOR

INTERIOR

LAND ROVER GEAR

TECHNICAL DETAILS



ABOVE & BEYOND

CONTENTS

SPECIFICATION

LOCATE A RETAILER

BUILD YOUR OWN

STEP 2
CHOOSE YOUR MODEL AND OPTIONS

STANDARD AND OPTIONAL FEATURES

Engine Transmission, Suspension and Driving Dynamics

	OPTION CODE	2.0L Si4 (237)	2.0L Si4 (286)	DESCRIPTION
9-speed Automatic Transmission		■	■	Please refer to page 41.
4 Wheel Drive (4WD)		■	■	
Efficient Driveline		■	■	
Active Driveline (1) (2)	027JC	P10	P10	Please refer to page 27.
Adaptive Dynamics (1) (2)	027CY	P10	P10	Please refer to page 27.
Terrain Response (1)		■	■	Please refer to page 20.
All Terrain Progress Control (ATPC) (1)		■	■	Please refer to page 23.
Torque Vectoring by Braking		■	■	
Hill Descent Control (HDC [®]) (1)		■	■	Please refer to page 25.
Hill Start Assist (1)		■	■	
Stop/Start technology		■	■	
Anti-lock Braking System (ABS)		■	■	
Electronic Power Assisted Steering (EPAS) (1)		■	■	
Traction Control System (TCS) (1)		■	■	
Dynamic Stability Control (DSC) (1)		■	■	
Roll Stability Control (RSC) (1)		■	■	
Electric Parking Brake (EPB) (1)		■	■	
Emergency Brake Assist (EBA)		■	■	
Electronic Brake-force Distribution (EBD)		■	■	
Push Button Start		■	■	
TOWING				
Trailer Stability Control (1)		■	■	
Trailer Stability Assist (1)		■	■	
Front and rear recovery hooks		■	■	

■ Standard □ Optional – Not Available.

For more information on packages, see pages 68-71. P10 – Intelligent Dynamics Package

(1) These systems are not a substitute for driving safely with due care and attention and will not function under all circumstances, speeds, weather and road conditions, etc. Driver should not assume that these systems will correct errors of judgment in driving. Please consult the owner's manual or your local authorized Land Rover Retailer for more details. (2) Not available on SE models.

Exterior Features and Finishers

	OPTION CODE	SE	HSE	HSE LUXURY	DESCRIPTION
ROOF AND EXTERIOR DESIGN					
Body-colored roof		■	–	–	
Fixed panoramic roof		–	■	■	Please refer to page 38.
Black contrast roof	080AN	□	□	□	
Grey contrast roof	080EE	□	□	□	
Dark Atlas grille with Narvik Black grille surround		■	–	–	
Dark Atlas fender vents		■	–	–	
Atlas grille with Narvik Black grille surround		–	■	■	
Atlas fender vents		–	■	■	
Body-colored door handles		■	■	–	
Noble Plated upper and lower door handles		–	–	■	
Body-colored mirror caps		■	■	■	
Narvik Black tailgate finisher		■	■	–	
Atlas tailgate finisher		–	–	■	
Brunel Discovery script (hood and tailgate)		■	■	–	
Atlas Discovery script (hood and tailgate)		–	–	■	
Dark Techno Silver tow eye covers		■	–	–	
White Silver tow eye covers		–	■	■	

■ Standard □ Optional – Not Available.





ABOVE & BEYOND

CONTENTS

SPECIFICATION

LOCATE A RETAILER

BUILD YOUR OWN

STEP 2
CHOOSE YOUR MODEL AND OPTIONS

STANDARD AND OPTIONAL FEATURES

Exterior Features and Finishers (continued)

	OPTION CODE	SE	HSE	HSE LUXURY	DESCRIPTION
GLASS AND EXTERIOR MIRRORS					
Heated rear window		■	■	■	
Heated front windshield	040AK	P2	P2	P2	
Infrared reflective windshield		■	■	■	This is a fine metallic coating made up of several layers of titanium and silver to create an infrared reflective coating, keeping the vehicle cooler in hot conditions.
Privacy glass		■	■	■	Provides increased privacy for rear passengers by restricting vision into the cabin.
Power fold, heated door mirrors with approach lights		■	-	-	
Auto-dimming, power fold, heated door mirrors with memory and approach lights		-	■	■	Working in conjunction with the auto-dimming interior rear view mirror, electrochromic mirror glass is triggered through a sensor activated by low or poor lighting conditions. The exterior mirror glass darkens proportionally to the light detected by the sensors.
HEADLIGHTS AND LIGHTING					
Halogen headlights		■	-	-	
Xenon headlights with LED signature and power wash		P1	■	■	Includes rear LED lights and headlight power wash.
Adaptive Xenon headlights with LED signature and power wash	064DI	-	P1	P1	Includes rear LED lights and headlight power wash.
Automatic headlights and rain sensing wipers		■	■	■	The headlights self-activate at low light levels and rain sensing wipers turn on as rain begins to fall.
Auto High Beam Assist (AHBA)	030NT	-	P1	P1	Automatic High Beam Assist headlights automatically lower when traffic is detected, reverting when vehicles have passed.
Front fog lights (1)	064AP	P1	■	■	

■ Standard □ Optional - Not Available.
For more information on packages, see pages 68-71. P1 – Vision Assist Package P2 – Cold Climate Package
(1) Not available with Si4 286HP engine.

Wheel Features

	OPTION CODE	SE	HSE	HSE LUXURY	DESCRIPTION
Tire Pressure Monitoring System (TPMS)		■	■	■	
Reduced Section Spare Wheel (2)		■	■	■	

Seating, Interior Features and Finishers

	OPTION CODE	SE	HSE	HSE LUXURY	DESCRIPTION
SEATING					
Partial leather seats		■	-	-	
Perforated grained leather seats	033JE	□	■	-	
Perforated Windsor leather seats		-	-	■	
10-way electric front seats		■	-	-	
12-way electric front seats	033UV	□	-	-	
12-way electric front seats with memory		-	■	■	
Center console with sliding armrest		■	■	■	
Heated front and rear seats	033EQ	P2	-	-	Heats the outboard second row seats. Please refer to page 38.
Heated and cooled front seats with heated rear seats	033GQ	-	P2	P2	Heats the outboard second row seats. Please refer to page 38.

■ Standard □ Optional - Not Available.
(2) Not available with 5 + 2 seats and tow bar.





ABOVE & BEYOND

CONTENTS

SPECIFICATION

LOCATE A RETAILER

BUILD YOUR OWN

STEP 2
CHOOSE YOUR MODEL AND OPTIONS

STANDARD AND OPTIONAL FEATURES

Seating, Interior Features and Finishers (continued)

	OPTION CODE	SE	HSE	HSE LUXURY	DESCRIPTION
SEATING					
60:40 second row seats with slide and recline		■	■	■	Please refer to page 76.
Second row center headrest		■	■	■	
Rear armrest with twin cupholders		■	■	■	
5 + 2 seating (1)	033BI	□	□	□	Please refer to page 77.
STEERING WHEEL					
Manually adjustable steering column		■	■	■	
Leather steering wheel		■	■	■	
Heated steering wheel	032DV	P1	P1	P1	Only available with leather steering wheel.
INTERIOR FINISHERS					
Satin Brushed Aluminum (2)		■	■	■	
Glacier Brushed Aluminum (3)	063BE	□	-	□	
HEADLINING					
Cirrus headlining (4)		■	■	■	
Ivory headlining (5)	032CV	-	□	□	
Ebony headlining	032BU	□	□	□	

■ Standard □ Optional - Not Available.

For more information on packages, see page 68-71. P1 – Cold Climate Package

(1) Not available with Complete Dynamic Package or Si4 286HP engine (2) Not available with Glacier/Lunar interior (3) Only available with Glacier/Lunar interior (4) Not available with Almond/Ivory and Vintage Tan/Ebony interiors

(5) Only available with Almond/Ivory and Vintage Tan/Ebony interiors.

Seating, Interior Features and Finishers (continued)

	OPTION CODE	SE	HSE	HSE LUXURY	DESCRIPTION
INTERIOR FEATURES					
Front center storage with two cupholders		■	■	■	
Overhead grab handles		■	■	■	
Cabin Air Quality Sensor		■	■	■	Advanced air filtration and air quality sensing system to facilitate automatic recirculation when outside air quality is poor or pollen counts are high.
Two-zone Climate Control with second row vents		■	■	■	
Cooling vents and one USB in third row (6)	022EB	P4	P4	P4	
Twin-blade sunvisor with illuminated vanity mirrors		■	■	■	
Auto-dimming interior rear view mirror	031CG	P3	■	■	
Ambient Interior Lighting		■	■	-	
Configurable Ambient Interior Lighting		-	-	■	Please refer to page 38.
Illuminated aluminum front treadplates with Discovery script		-	-	■	
Carpet mats		■	■	-	
Premium carpet mats		-	-	■	

■ Standard □ Optional - Not Available.

For more information on packages, pages 68-71. P3 – Convenience Package P4 – Row 3 package

(6) Only available with 5 + 2 seating. Not available with Si4 286HP engine.





ABOVE & BEYOND

CONTENTS

SPECIFICATION

LOCATE A RETAILER

BUILD YOUR OWN

STEP 2
CHOOSE YOUR MODEL AND OPTIONS

STANDARD AND OPTIONAL FEATURES

Safety and Security

OPTION CODE	SE	HSE	HSE LUXURY	DESCRIPTION
	■	■	■	Airbags (driver and knee airbags, front passenger airbags, curtain airbags and side airbags) (2)
	■	■	■	Perimetric alarm with remote panic alarm
	■	■	■	Audible seat belt warning
	■	■	■	Power operated child locks
	■	■	■	Second row LATCH child seat anchor points
	■	■	■	Auto-locking and collision unlocking system

Driver Assistance, Convenience and Cargo Space Features

OPTION CODE	SE	HSE	HSE LUXURY	DESCRIPTION
DRIVER ASSISTANCE				
	-	P5/P6	P5/P6	Autonomous Emergency Braking (AEB) (1)
	■	■	■	Cruise Control and Speed Limiter (1)
065AG	-	□	□	Adaptive Cruise Control with Queue Assist and Intelligent Emergency Braking (1)
086BD	-	P5/P6	P5/P6	Lane Keep Assist and Driver Condition Monitor (1)

■ Standard □ Optional - Not Available.

(1) These systems are not a substitute for driving safely with due care and attention and will not function under all circumstances, speeds, weather and road conditions, etc. Driver should not assume that these systems will correct errors of judgment in driving. Please consult the owner's manual or your local authorized Land Rover Retailer for more details. (2) Please remember that the safety belts in a vehicle constitute the primary protection system for driver and passengers in collisions. Airbags are not designed to deploy in all collisions. The airbag Supplemental Restraint System (SRS) is a supplement to the safety belts and is designed to work as a system with the safety belts. Although airbags provide additional protection, airbags without safety belts do not provide optimal protection in a crash. Always wear your safety belts. Children younger than 13 years old should always be properly restrained in a back seat, away from airbags. Never place an infant seat in the front seat.

For more information on packages, see pages 68-71. P5 – Driver Assist Plus Package (Touch) P6 – Driver Assist Plus Package (Touch Pro)

Driver Assistance, Convenience and Cargo Space Features (continued)

OPTION CODE	SE	HSE	HSE LUXURY	DESCRIPTION
DRIVER ASSISTANCE (1)				
086DB	-	P5/P6	P5/P6	Traffic Sign Recognition
	■	■	■	Rear Parking Aid
086EG	-	■	■	Front Parking Aid
	■	■	■	Rear View Camera
086HA	-	P9	P9	Park Assist
086GC	-	P1	P1	Surround Camera System
086GF	□	□	□	Blind Spot Monitor and Reverse Traffic Detection

CONVENIENCE FEATURES

066AC	P3	■	■	Keyless Entry
025CT	P3	■	■	Garage Door Opener (HomeLink®)

CARGO SPACE FEATURES

063AH	□	□	□	Cargo space cover
070BA	P3	■	■	Powered gesture tailgate

■ Standard □ Optional - Not Available.

For more information on packages, see pages 68-71. P1 – Vision Assist Package P3 – Convenience Package P9 – Head-up Display and Park Assist Package HomeLink® is the registered trademark of Gentex Corporation.





ABOVE & BEYOND

CONTENTS

SPECIFICATION

LOCATE A RETAILER

BUILD YOUR OWN

STEP 2
CHOOSE YOUR MODEL AND OPTIONS

STANDARD AND OPTIONAL FEATURES

Information, Communication and Entertainment

	OPTION CODE	SE	HSE	HSE LUXURY	DESCRIPTION
Bluetooth® connectivity (1)		■	■	■	
Protect (for warranty period)		■	■	■	
8" Touchscreen (1) (2)		■	■	■	
10" Touchscreen (1) (3)		–	P6/P7	P6/P7	
Land Rover Enhanced Sound System 190W with 10 speakers		■	■	–	
Meridian™ Sound System 380W with 10 speakers plus subwoofer (Touch)	025MC	P8	P8	■	Please refer to page 32.
Meridian™ Surround Sound System 825W with 16 speakers plus subwoofer (Touch Pro)	025LN	–	P6/P7	P6/P7	Please refer to page 32.
SiriusXM® Satellite Radio and HD Radio™ (4) (5)	025LA	□	□	■	
Navigation (1)	087AT	□	P5	■	Please refer to pages 30-31 and 34-35.
Navigation Pro (1) (3)	087AU	–	P6/P7	P6/P7	Please refer to pages 30-31 and 34-35.

Information, Communication and Entertainment (continued)

	OPTION CODE	SE	HSE	HSE LUXURY	DESCRIPTION
Single USB port in first row with charging located in center console		■	■	■	
Two USB ports in second row with charging		■	■	■	
InControl Apps (6)	025PA	□	□	■	Please refer to pages 30-31 and 34-35.
Remote	011DA	■	■	■	Please refer to pages 30-31 and 34-35.
Wi-Fi Hotspot (7)	025RB	□	□	□	Please refer to pages 30-31 and 34-35.
Pro Services and Wi-Fi Hotspot	025RC	–	P6/P7	P6/P7	Please refer to pages 30-31 and 34-35.

■ Standard □ Optional – Not Available.

For more information on packages, see pages 68-71. P5 – Driver Assist Plus Package (Touch) P6 – Driver Assist Plus Package (Touch Pro) P7 – Entertainment Package P8 – Audio Upgrade Package

(1) Driving while distracted can result in loss of vehicle control. Do not operate, adjust or view the navigation or multimedia systems under conditions that will affect your safety or the safety of others. Only use mobile phones and other devices, even with voice commands, when it is safe to do so (2) Not available with Meridian™ Surround Sound System (3) Only available with Meridian™ Surround Sound System (4) A 3-month trial subscription to the Sirius XM All Access package is included with the vehicle, which gives you access to 175+ channels of premium programming. Plus you can stream Sirius XM on your computer, smartphone or tablet – it's included in your trial. If you decide to continue service after your trial, the subscription plan you choose will automatically renew thereafter and you will be charged according to your chosen payment method at then-current rates. Fees and taxes apply. To cancel you must call Sirius XM at 1-866-635-2349. See the Sirius XM Customer Agreement for complete terms at siriusxm.com. All fees and programming are subject to change. Sirius XM Satellite Radio is not available in Alaska, Hawaii, or Puerto Rico (5) Available as part of P8. The Bluetooth® word mark and logo are owned by the Bluetooth SIG, Inc. and any use of such marks by Land Rover is under license.

■ Standard □ Optional – Not Available.

(6) Only available with Navigation or Navigation Pro (7) Not available with P6/P7.





ABOVE & BEYOND

CONTENTS

SPECIFICATION

LOCATE A RETAILER

BUILD YOUR OWN

STEP 2
CHOOSE YOUR MODEL AND OPTIONS

OPTIONAL FEATURES

Option Packages

	OPTION CODE	SE	HSE	HSE LUXURY
VISION ASSIST PACKAGE (P1)	041CB			
Front fog lights		<input type="checkbox"/>	-	-
Xenon headlights with LED signature		<input type="checkbox"/>	-	-
Adaptive Xenon headlights with LED signature		-	<input type="checkbox"/>	<input type="checkbox"/>
Blind Spot Monitor and Reverse Traffic Detection (2)		-	<input type="checkbox"/>	<input type="checkbox"/>
Surround Camera System (2)		-	<input type="checkbox"/>	<input type="checkbox"/>
Auto High Beam Assist (AHBA) (2)		-	<input type="checkbox"/>	<input type="checkbox"/>
COLD CLIMATE PACKAGE (P2)	072AC			
Heated front and rear seats		<input type="checkbox"/>	-	-
Heated and cooled front seats with heated rear seats		-	<input type="checkbox"/>	<input type="checkbox"/>
Heated leather steering wheel		<input type="checkbox"/>	<input type="checkbox"/>	<input type="checkbox"/>
Heated front windshield		<input type="checkbox"/>	<input type="checkbox"/>	<input type="checkbox"/>
CONVENIENCE PACKAGE (P3)	074GQ			
Powered gesture tailgate		<input type="checkbox"/>	-	-
Keyless Entry		<input type="checkbox"/>	-	-
Garage Door Opener (HomeLink®)		<input type="checkbox"/>	-	-
Auto-dimming interior rear view mirror		<input type="checkbox"/>	-	-
ROW 3 PACKAGE (1) (P4)	074OC			
5 + 2 seating		<input type="checkbox"/>	<input type="checkbox"/>	<input type="checkbox"/>
Climate Control with high level vents to third row and single USB port		<input type="checkbox"/>	<input type="checkbox"/>	<input type="checkbox"/>

Option Packages (continued)

	OPTION CODE	SE	HSE	HSE LUXURY
DRIVER ASSIST PLUS PACKAGE (2) (TOUCH) (P5)	017AS			
Autonomous Emergency Braking (AEB)		-	<input type="checkbox"/>	<input type="checkbox"/>
Lane Keep Assist and Driver Condition Monitor		-	<input type="checkbox"/>	<input type="checkbox"/>
Traffic Sign Recognition		-	<input type="checkbox"/>	<input type="checkbox"/>
Navigation		-	<input type="checkbox"/>	-
DRIVER ASSIST PLUS PACKAGE (2) (TOUCH PRO) (P6)	017TG			
Autonomous Emergency Braking (AEB)		-	<input type="checkbox"/>	<input type="checkbox"/>
Lane Keep Assist and Driver Condition Monitor		-	<input type="checkbox"/>	<input type="checkbox"/>
Traffic Sign Recognition		-	<input type="checkbox"/>	<input type="checkbox"/>
Navigation Pro		-	<input type="checkbox"/>	<input type="checkbox"/>
Meridian™ Digital Surround Sound System 825W with 17 speakers including subwoofer		-	<input type="checkbox"/>	<input type="checkbox"/>
Pro Services and Wi-Fi Hotspot		-	<input type="checkbox"/>	<input type="checkbox"/>
ENTERTAINMENT PACKAGE (P7) (4)	016AC			
Meridian™ Surround Sound System (825W) with 17 speakers including subwoofer (Touch Pro)		-	<input type="checkbox"/>	<input type="checkbox"/>
Pro Services and Wi-Fi Hotspot		-	<input type="checkbox"/>	<input type="checkbox"/>
Navigation Pro		-	<input type="checkbox"/>	<input type="checkbox"/>
AUDIO UPGRADE PACKAGE (P8)	016AA			
Meridian™ Sound System 380W with 11 speakers including subwoofer (Touch)		<input type="checkbox"/>	<input type="checkbox"/>	-
Sirius XM® Satellite Radio & HD Radio (3)		<input type="checkbox"/>	<input type="checkbox"/>	-

Optional – Not Available.

(1) Not available with Si4 286HP engine or Complete Dynamic Design Package (2) These systems are not a substitute for driving safely with due care and attention and will not function under all circumstances, speeds, weather and road conditions, etc. Driver should not assume that these systems will correct errors of judgment in driving. Please consult the owner's manual or your local authorized Land Rover Retailer for more details.

Optional – Not Available.

(3) A 3-month trial subscription to the Sirius XM All Access package is included with the vehicle, which gives you access to 175+ channels of premium programming. Plus you can stream Sirius XM on your computer, smartphone or tablet – it's included in your trial. If you decide to continue service after your trial, the subscription plan you choose will automatically renew thereafter and you will be charged according to your chosen payment method at then-current rates. Fees and taxes apply. To cancel you must call Sirius XM at 1-866-635-2349. See the Sirius XM Customer Agreement for complete terms at siriusxm.com. All fees and programming are subject to change. Sirius XM Satellite Radio is not available in Alaska, Hawaii, or Puerto Rico (4) Not available with P5, P6, or P8.





ABOVE & BEYOND

CONTENTS

SPECIFICATION

LOCATE A RETAILER

BUILD YOUR OWN

STEP 2
CHOOSE YOUR MODEL AND OPTIONS

OPTIONAL FEATURES

Option Packages (continued)

	OPTION CODE	SE	HSE	HSE LUXURY
HEAD-UP DISPLAY AND PARK ASSIST PACKAGE (2) (P9)	017DD			
Park Assist		-	<input type="checkbox"/>	<input type="checkbox"/>
Head-up Display		-	<input type="checkbox"/>	<input type="checkbox"/>
INTELLIGENT DYNAMICS PACKAGE (P10)	017AI			
Active Driveline		-	<input type="checkbox"/>	<input type="checkbox"/>
Adaptive Dynamics		-	<input type="checkbox"/>	<input type="checkbox"/>
BLACK DESIGN PACKAGE – 18" ALLOY WHEEL PACKAGE (1) (P11)	032GV			
Black exterior		<input type="checkbox"/>	<input type="checkbox"/>	-
Black contrast roof		<input type="checkbox"/>	<input type="checkbox"/>	-
18" 5 split-spoke 'Style 511' with Gloss Black finish		<input type="checkbox"/>	<input type="checkbox"/>	-
BLACK DESIGN PACKAGE – 19" ALLOY WHEEL PACKAGE (1) (P12)	032GA			
Black exterior		-	<input type="checkbox"/>	<input type="checkbox"/>
Black contrast roof		-	<input type="checkbox"/>	<input type="checkbox"/>
19" 5 split-spoke 'Style 521' with Gloss Black finish		-	<input type="checkbox"/>	<input type="checkbox"/>

Option Packages (continued)

	OPTION CODE	SE	HSE	HSE LUXURY
BLACK DESIGN PACKAGE – 20" ALLOY WHEEL PACKAGE (1) (P13)	032GB			
Black exterior		-	-	<input type="checkbox"/>
Black contrast roof		-	-	<input type="checkbox"/>
20" 5 split-spoke 'Style 511' with Gloss Black finish		-	-	<input type="checkbox"/>
BLACK DESIGN PACKAGE – 18" ALLOY WHEEL PACKAGE (1) (P14)	032GW			
Black exterior		<input type="checkbox"/>	<input type="checkbox"/>	-
18" 5 split-spoke 'Style 511' with Gloss Black finish		<input type="checkbox"/>	<input type="checkbox"/>	-
BLACK DESIGN PACKAGE – 19" ALLOY WHEEL PACKAGE (1) (P15)	032GF			
Black exterior		-	<input type="checkbox"/>	<input type="checkbox"/>
19" 5 split-spoke 'Style 521' with Gloss Black finish		-	<input type="checkbox"/>	<input type="checkbox"/>
BLACK DESIGN PACKAGE – 20" ALLOY WHEEL PACKAGE (1) (P16)	032GG			
Black exterior		-	-	<input type="checkbox"/>
20" 5 split-spoke 'Style 511' with Gloss Black finish		-	-	<input type="checkbox"/>
COMPLETE DYNAMIC DESIGN PACKAGE – HSE/HSE LUXURY (1) (P17)	074QI			
Dynamic exterior (3)		-	<input type="checkbox"/>	<input type="checkbox"/>
Dynamic interior (3)		-	<input type="checkbox"/>	<input type="checkbox"/>
20" 5 split-spoke 'Style 511' with Gloss Black finish (3)		-	<input type="checkbox"/>	<input type="checkbox"/>

Optional – Not Available.

(1) Not available with Si4 286HP engine. Not available with other Design Packages (2) These systems are not a substitute for driving safely with due care and attention and will not function under all circumstances, speeds, weather and road conditions, etc. Driver should not assume that these systems will correct errors of judgment in driving. Please consult the owner's manual or your local authorized Land Rover Retailer for more details.

Optional Optional in package – Not Available.

(3) Dynamic Exterior is also fitted as standard on Si4 286HP.





ABOVE & BEYOND

CONTENTS

SPECIFICATION

LOCATE A RETAILER

BUILD YOUR OWN

STEP 3
CHOOSE YOUR COLOR

3

Now you have chosen your Discovery Sport model, you can select your exterior paint color. From rich, deep lusters to incandescent metallic patinas, our paints incorporate the latest in pigment technologies. Our solid paints produce a deep flat color. Our metallics deliver a sparkle finish that is sure to catch the eye. And our premium metallic paints enhance both the color and the intensity of the sparkle or sleek metallic finish to give your vehicle even more presence.

Fuji White (solid)

Optional Contrast Roof Color
Black Grey



Narvik Black (solid)

Optional Contrast Roof Color
Grey



Byron Blue (metallic)

Optional Contrast Roof Color
Black Grey



Santorini Black (metallic)

Optional Contrast Roof Color
Grey



Yulong White (metallic)

Optional Contrast Roof Color
Black Grey



Indus Silver (metallic)

Optional Contrast Roof Color
Black Grey



Firenze Red (metallic)

Optional Contrast Roof Color
Black Grey



Namib Orange (premium metallic)

Optional Contrast Roof Color
Black Grey



Corris Grey (metallic)

Optional Contrast Roof Color
Black



Scotia Grey (metallic)

Optional Contrast Roof Color
Black



Silicon Silver (premium metallic)

Optional Contrast Roof Color
Black



Carpathian Grey (premium metallic)

Optional Contrast Roof Color
Black Grey



ENGINE

MODEL AND OPTIONS

COLOR

INTERIOR

LAND ROVER GEAR

TECHNICAL DETAILS



ABOVE & BEYOND

CONTENTS

SPECIFICATION

LOCATE A RETAILER

BUILD YOUR OWN

STEP 4
CHOOSE YOUR WHEELS

4



18" 5 SPLIT-SPOKE
'STYLE 511'



18" 5 SPLIT-SPOKE
'STYLE 511'
WITH GLOSS DARK GREY FINISH (1)



18" 5 SPLIT-SPOKE
'STYLE 511'
WITH GLOSS BLACK FINISH (1) (2)



19" 9 SPOKE
'STYLE 902'



19" 9 SPOKE
'STYLE 902'
WITH DIAMOND TURNED FINISH



19" 5 SPLIT-SPOKE
'STYLE 523'
WITH CERAMIC POLISHED FINISH
AND RED PINSTRIPE (6) (7)



18" 5 SPOKE
'STYLE 518'



18" 9 SPOKE
'STYLE 109'



19" 5 SPLIT-SPOKE
'STYLE 521'



19" 5 SPLIT-SPOKE
'STYLE 521'
WITH GLOSS BLACK FINISH (1) (2)



20" 5 SPLIT-SPOKE
'STYLE 524'
WITH SATIN POLISHED FINISH (6)



20" 5 SPLIT-SPOKE
'STYLE 511'



20" 5 SPLIT-SPOKE
'STYLE 511'
WITH GLOSS DARK GREY FINISH



20" 5 SPLIT-SPOKE
'STYLE 511'
WITH GLOSS BLACK FINISH (8)

	OPTION CODE	SE	HSE	HSE LUXURY
WHEELS				
18" 5 split-spoke 'Style 511'		-	■ (1)	-
18" 5 split-spoke 'Style 511' with Gloss Dark Grey finish (1)	029TX	□	□ (1)	-
18" 5 split-spoke 'Style 511' with Gloss Black finish (1) (2)	031HQ	□	□ (1)	-
18" 5 spoke 'Style 518'	029TY	□	□ (1)	-
18" 9 spoke 'Style 109'	029UD	■	-	-
19" 5 split-spoke 'Style 521'	031NB	□	□	-
19" 5 split-spoke 'Style 521' with Gloss Black finish (1) (2)	029UA	-	□	□

	OPTION CODE	SE	HSE	HSE LUXURY
WHEELS				
19" 9 spoke 'Style 902'	031NA	-	□ (3)	□ (4)
19" 9 spoke 'Style 902' with Diamond Turned finish	029UB	-	-	■ (5)
19" 5 split-spoke 'Style 523' with Ceramic Polished finish and Red Pinstripe (6) (7)	VPLCW0104	□	□	□
20" 5 split-spoke 'Style 524' with Satin Polished finish (6)	VPLCW0105	□	□	□
20" 5 split-spoke 'Style 511'	029SB	-	-	□
20" 5 split-spoke 'Style 511' with Gloss Dark Grey finish	031JQ	-	□ (3)	□
20" 5 split-spoke 'Style 511' with Gloss Black finish (8)	029TW	-	□ (9)	□ (9)

74 ■ Standard □ Optional - Not Available.
(1) Not available with Si4 286HP engines (2) Only available as part of Black Design Package.



75 ■ Standard □ Optional - Not Available.
(3) Only available with Si4 286HP engine (4) Only available with Si4 237HP engine (5) Optional alloy wheel on Si4 286HP engine (6) Accessory wheels must be selected with either a standard or optional wheel and incur an additional cost (7) Please contact your nearest Land Rover Retailer for availability (8) Only available as part of Black Design Package or Complete Dynamic Design Package (9) Standard alloy wheel on Si4 286HP engine.

Visit landroverusa.com to configure your vehicle online. 75

ENGINE

MODEL AND OPTIONS

COLOR

WHEELS

INTERIOR

LAND ROVER GEAR

TECHNICAL DETAILS



ABOVE & BEYOND

CONTENTS

SPECIFICATION

LOCATE A RETAILER

BUILD YOUR OWN

STEP 5
CHOOSE YOUR INTERIOR

5

CHOOSE YOUR INTERIOR – SEAT CONFIGURATION



60:40 Second Row Seats with Slide and Recline

These seats have forwards/backwards movement of 6.3 inches allowing truly flexible use of space for luggage or to maximize passenger legroom. The seats can also recline to provide even greater comfort.



5 + 2 Seating*

A neatly integrated optional third row of seats can be specified on 4WD vehicles to give you even more versatility. These seats are ideal for children and teenagers, or adults on short trips.

They are easily accessed by tipping and sliding forward the second row seats. When folded, the third row seats leave a flat floor in the luggage compartment as if it were a five-seat model.



*Not available with S14 286HP engine or with Complete Dynamic Design Package. Interior shown left and above is HSE Luxury in Glacier/Lunar.

ENGINE

MODEL AND OPTIONS

COLOR

INTERIOR

LAND ROVER GEAR

TECHNICAL DETAILS



ABOVE & BEYOND

CONTENTS

SPECIFICATION

LOCATE A RETAILER

BUILD YOUR OWN

STEP 5
CHOOSE YOUR INTERIOR

CHOOSE YOUR INTERIOR – COLOR COMBINATIONS

	(A)	(B)	(C)	(D)	(E)	(F)	EXCLUSIVE TO COMPLETE DYNAMIC DESIGN PACKAGE				
	(G)	(H)	(I)								
COLORWAYS	EBONY / EBONY (page 80)	CIRRUS / LUNAR (page 81)	GLACIER / LUNAR (page 81)	ALMOND / EBONY (page 80)	VINTAGE TAN / EBONY (page 81)	IVORY / EBONY (page 81)	EBONY / EBONY with Pimento detail (page 82)	EBONY / EBONY with Cirrus detail (page 83)	CIRRUS / EBONY with Ebony detail (page 83)		
INTERIOR COLOR											
Seat color	Ebony	Cirrus	Glacier	Almond	Vintage Tan	Ivory	Ebony	Ebony	Cirrus		
Carpet	Ebony	Lunar	Lunar	Ebony	Ebony	Ebony	Ebony	Ebony	Ebony		
MODEL											
SE (partial leather)	○	○	○	–	–	–	–	–	–		
SE (perforated grained leather)	○	○	○	–	–	–	○	○	○		
HSE (perforated grained leather)	○	○	–	○	–	–	–	–	–		
HSE (perforated Windsor leather)	–	–	–	–	–	–	○	○	○		
HSE Luxury (perforated Windsor leather)	○	–	○	–	○	○	○	○	○		
CENTER STACK SIDE RAILS											
Satin Brushed Aluminum	■	■	–	■	■	■	–	–	–		
Glacier Brushed Aluminum	–	–	■	–	–	–	–	–	–		
Carmine Red Brushed Aluminum	–	–	–	–	–	–	▲	–	–		
Dark Grey Brushed Aluminum	–	–	–	–	–	–	–	▲	▲		
EXTERIOR COLOR											
Fuji White	○	○	○	○	○	○	○	○	○		
Narvik Black	▲	○	○	▲	▲	▲	▲	▲	▲		
Yulong White	▲	▲	○	○	○	○	○	○	○		
Indus Silver	○	▲	○	○	○	○	○	○	○		
Corris Grey	▲	▲	▲	○	○	○	○	▲	○		
Scotia Grey	○	○	▲	○	○	○	–	○	○		
Byron Blue	○	▲	○	○	○	▲	○	○	○		
Santorini Black	▲	○	○	▲	▲	▲	▲	○	▲		
Firenze Red	▲	○	–	○	○	○	▲	▲	○		
Namib Orange	▲	○	○	○	○	▲	○	▲	○		
Silicon Silver	○	○	○	○	○	▲	○	○	○		
Carpathian Grey	○	▲	▲	○	○	○	○	○	○		



	1	2	3	4	5	6
COLORWAYS	DOOR CASING INSERT	DOOR ROLL TOP	FACIA TOPPER	DOOR LOWER	CENTER STACK SIDE RAILS	FACIA MID-SECTION
(A) Ebony / Ebony	Ebony	Ebony	Ebony	Ebony	Satin Brushed Aluminum	Ebony
(B) Cirrus / Lunar	Lunar	Cirrus	Lunar	Lunar	Satin Brushed Aluminum	Cirrus
(C) Glacier / Lunar	Lunar	Glacier	Lunar	Lunar	Glacier Brushed Aluminum	Glacier
(D) Almond / Ebony	Ebony	Almond	Ebony	Ebony	Satin Brushed Aluminum	Almond
(E) Vintage Tan / Ebony	Vintage Tan	Ebony	Ebony	Ebony	Satin Brushed Aluminum	Ebony
(F) Ivory / Ebony	Ebony	Ivory	Ebony	Ebony	Satin Brushed Aluminum	Ivory
(G) Ebony / Ebony with Pimento detail	Ebony	Ebony	Ebony	Ebony	Carmine Red Brushed Aluminum	Ebony
(H) Ebony / Ebony with Cirrus detail	Ebony	Ebony	Ebony	Ebony	Dark Grey Brushed Aluminum	Ebony
(I) Cirrus / Ebony with Ebony detail	Ebony	Cirrus	Ebony	Ebony	Dark Grey Brushed Aluminum	Cirrus

■ Standard ○ Combination is Available – Not Available ▲ Combination is Designer's Choice.
The above table is designed as a guide. Please contact your nearest Land Rover Retailer for more information.



Interior shown above is HSE Luxury in Glacier/Lunar.

Visit landroverusa.com to configure your vehicle online. 79

ENGINE

MODEL AND OPTIONS

COLOR

INTERIOR

LAND ROVER GEAR

TECHNICAL DETAILS



ABOVE & BEYOND

CONTENTS

SPECIFICATION

LOCATE A RETAILER

BUILD YOUR OWN

STEP 5
CHOOSE YOUR INTERIOR

AVAILABLE INTERIOR COLOR COMBINATIONS

The cabin in Discovery Sport embodies the finest of contemporary living. Bold horizontal and vertical lines and superb levels of comfort create a space in which you and your family and friends will want to spend time. A wide range of color combinations and seat materials are available to suit all tastes.

A **Ebony / Ebony** (available on SE, HSE and HSE Luxury)



Interior shown: Ebony partial leather.

B **Cirrus / Lunar** (available on SE and HSE)



Interior shown: Cirrus partial leather.

C **Glacier / Lunar** (available on SE and HSE Luxury)



Interior shown: Glacier perforated grained leather.

D **Almond / Ebony** (available on HSE only)



Interior shown: Almond perforated grained leather.

E **Vintage Tan / Ebony** (available on HSE Luxury only)



Interior shown: Vintage Tan perforated Windsor leather.

F **Ivory / Ebony** (available on HSE Luxury only)



Interior shown: Ivory perforated Windsor leather.



ENGINE

MODEL AND OPTIONS

COLOR

INTERIOR

LAND ROVER GEAR

TECHNICAL DETAILS



ABOVE & BEYOND

CONTENTS

SPECIFICATION

LOCATE A RETAILER

BUILD YOUR OWN

STEP 5
CHOOSE YOUR INTERIOR

EXCLUSIVE TO COMPLETE DYNAMIC DESIGN PACKAGE

Available exclusively as part of Dynamic Design Package are a choice of three striking color combinations in perforated Windsor leather on HSE and HSE Luxury. The look is augmented by the unique micropiping featured on the seats and headrest.

G Ebony / Ebony with Pimento stitching and piping
(available on Complete Dynamic Design Package only)



Interior shown: Ebony perforated Windsor leather with Pimento stitching and piping.

H Ebony / Ebony with Cirrus stitching and piping
(available on Complete Dynamic Design Package only)



Interior shown: Ebony perforated Windsor leather with Cirrus stitching and piping.

I Cirrus / Ebony with Ebony piping
(available on Complete Dynamic Design Package only)



Interior shown: Cirrus perforated Windsor leather with Ebony piping.



ENGINE

MODEL AND OPTIONS

COLOR

INTERIOR

LAND ROVER GEAR

TECHNICAL DETAILS



ABOVE & BEYOND

CONTENTS

SPECIFICATION

LOCATE A RETAILER

BUILD YOUR OWN

STEP 6
CHOOSE YOUR ACCESSORIES

6

LAND ROVER GEAR



Discovery Sport is so capable and adaptable it can get straight to work across a huge variety of vastly differing conditions and roles. Even so, some owners want to add their own stamp of individuality by tailoring their Discovery Sport to their specific needs with a range of stylish, practical accessories that are tough, versatile and bring an opportunity for personalization.

Importantly, these accessories can be added by your Land Rover Retailer at any stage during the vehicle's life – not just when it's new. Naturally, Land Rover Accessories are designed, tested and manufactured to the same exacting standards as the original equipment fitted to your vehicle.

DESIGN



Bright Side Tubes*
VPLCP0209
Highly Polished Stainless Steel side tubes provide an off-road inspired appearance, designed to complement the vehicle's exterior design.



Stainless Steel Undershield – Front**
VPLCP0212
The off-road designed undershield, manufactured from stainless steel, features a premium Bright Polished finish for the front of the vehicle.



Stainless Steel Undershield – Rear***
VPLCP0213
The off-road designed undershield, manufactured from stainless steel, features a premium Bright Polished finish for the rear of the vehicle.



Cargo Space Organizer
VPLCS0340
Convenient cargo space organizer provides segregated compartments to store delicate items or separate shopping/luggage. Featuring lockable lids, it is secured via cargo space 'D' loops.



Sill Treadplates – Illuminated
VPLCS0286LAA – Lunar
VPLCS0286PVJ – Ebony (not shown)
Sill treadplates featuring illuminated Discovery script. Supplied as a pair for driver and front passenger sides of the vehicle.



Sill Treadplates – Personalized
VPLCS0343PVJ – Ebony
VPLCS0343LAA – Lunar (not shown)
Personalized illuminated treadplates allow you to choose a personalized message using an approved set of fonts/typefaces which will be highlighted in White illumination when the front doors are open. Available as front pair only.



*Fitting of side tubes may affect the off-road capability of vehicle **Not available with Dynamic Design Package
†Not compatible with vehicles equipped with 5 + 2 seating, reduced section spare wheel and towing systems.



ABOVE & BEYOND

CONTENTS

SPECIFICATION

LOCATE A RETAILER

BUILD YOUR OWN

STEP 6
CHOOSE YOUR ACCESSORIES

TOURING



Sunshades
VPLCS0298 – Second row
VPLCS0297 – Third row
VPLCS0296 – Tailgate (not shown)
Easy to install or remove, these sun blinds provide increased comfort helping to protect passengers from heat and glare of the sun. Three versions available for the second row, third row passenger side windows and the rear tailgate.



Roof Rails*
VPLCR0137 – Silver finish (panoramic roof)
VPLCR0133 – Silver finish (fixed roof)**
VPLCR0136 – Black finish (panoramic roof)
VPLCR0132 – Black finish (fixed roof)**
Roof rails facilitate easy fitment of cross bars for roof carrying. Pre-set positioning points ensure cross bars are fixed in optimum position for weight distribution and dynamics. Maximum payload is 165lbs¹.

Cross Bars*
VPLCR0131
Elegant, durable Bright finish aluminum cross bars, with T-track design which utilizes the full length of the bars, providing space to mount multiple accessories. Aerodynamic profile minimizes drag and wind noise.



Roof Box*
VPLWR0100 – Large Sports Roof Box*
VPLVR0061 – Sports Roof Box* (not shown)
VPLVR0062 – Luggage Roof Box* (not shown)
Available in a range of sizes, all versions can be mounted either side for curbside opening in any country and include integral locks for security and peace of mind. Carrying capacity ranges from 11.3 cu.ft. for the sports box to the 14.5 cu.ft. luggage box or the capacious 15.2 cu.ft. large sports box. Maximum payload 165lbs¹.



Cargo Space Rails
VPLCS0303
Cargo space mounted rails to help increase the flexibility of cargo space storage, also allowing the fitment of the luggage retention kit storage system. The cargo space retention kit consists of a package of attachments that fix into the cargo space rails via a quick lock/quick release system to help provide a comprehensive and flexible solution for retaining luggage and other items within the cargo space. The attachment package includes a retractable strap with inertia reel and telescopic rod.

Luggage Retention Kit
VPLCS0324



Seat Back Storage
VPLVS0182 – Premium leather
VPLVS0181 – Standard (not shown)
Manufactured from the same premium leather offered on the vehicle, complemented with soft touch interior lining and magnetic button clasps. Provides convenient storage solution for the rear of the front seats with multiple compartments for storing small items.



Center Armrest Cooler/Warmer Box
VPLVS0176
This convenient drink and food cabinet is ideal for use on long trips and also provides a comfortable rear center armrest with a premium leather finish.

SPORTING



Cargo Space Liner Tray
VPLCS0274
VPLCS0268 – With luggage divider (not shown)
Semi-rigid waterproof cargo space liner tray with a raised lip on three sides to protect cargo space floor and side wall carpets from dirt or wet equipment.



Aperture Retention Net
VPLCS0267
The aperture retention net prevents small items from falling out of the cargo space when the tailgate is opened and maximizes packing space. Manufactured from premium lightweight materials including high grade machined aluminum to ensure robust quality.



Rear Cargo Space Treadplate Finisher
VPLCS0353LAA – Lunar
VPLCS0353PVJ – Ebony (not shown)
Manufactured from stainless steel with a Bright finish, the rear cargo space treadplate finisher provides protection for the cargo space trim when loading or unloading.



Fixed Tow Receiver¹
VPLCT0143
For 5 + 2 seat models with a reduced sized spare tire.
Tow Hitch Drawbar²
VPLCT0161
For 5 + 2 seat models with a reduced sized spare tire.

Towing Electrics – 13 Pin³
VPLCT0156
For 5 + 2 seat models with a reduced sized spare tire.



Fixed Tow Receiver²
VPLCT0141
For 5 seat models.
Tow Hitch Drawbar²
VPLCT0160
For 5 seat models.

Towing Electrics³
VPLCT0133
For 5 seat models.



Waterproof Seat Covers
VPLCS0291SVA – Front (Almond)
VPLCS0292SVA / VPLCS0293SVA – Second row / third row (Almond – not shown)
Helps protect seats from mud, dirt, wear and tear. Easily fitted and machine washable.
VPLCS0291PVJ – Front (Ebony)
VPLCS0292PVJ / VPLCS0293PVJ – Second row / third row (Ebony – not shown)

*Roof rails and cross bars are required for all Land Rover roof mounted accessories. Objects placed above the roof mounted satellite antenna may reduce the quality of the signal received by the vehicle and could have a detrimental effect on the navigation and satellite radio system, if fitted **Vehicles with a fixed roof require separate ditch finishers, color matched to the rails. Part No. Silver – VPLCR0135 and Black – VPLCR0134 ¹Maximum payload equals the load capacity of the roof mounted accessory.



²Maximum towing capacity 4,409lbs ³Towing electrics must be ordered with part shown, please consult your Land Rover Retailer for further information.



ABOVE & BEYOND

CONTENTS

SPECIFICATION

LOCATE A RETAILER

BUILD YOUR OWN

STEP 6
CHOOSE YOUR ACCESSORIES

OUTDOOR



Luggage Partition* – Full Height
VPLCS0299

Designed to prevent luggage from entering the passenger compartment. The design of the luggage partition has been optimized to second row seating featuring tilt functionality. The luggage partition divider can be fitted to the luggage partition to separate the cargo space into two sections.



Luggage Partition – Half Height*
VPLCS0300

Designed to prevent luggage from entering the passenger compartment. The design of the luggage partition has been optimized to second row seating featuring tilt functionality.



Cargo Space Mat – Rubber
VPLCS0279

Waterproof rubber mat helps to protect the rear cargo space carpet from general dirt. Rubber mat extension for protection of the back of the rear seats when folded down also available – Part No: VPLCS0273.

OTHER



Mirror Covers – Noble
VPLCB0251

Noble Chrome Plated mirror covers designed to enhance Discovery Sport's exterior design cues. This neat design upgrade complements various Bright finish exterior trims.



Pedestrian Airbag System
LR067898 – Gloss Black

A Gloss Black finish to the Pedestrian Airbag System is designed to enhance Discovery Sport's exterior design cues. This striking design upgrade complements various exterior trims and paint colors.



Luxury Carpet Mat Set
VPLCS0282LAA – Lunar
VPLCS0282PVJ – Ebony (not shown)

Luxurious, tailored, deep pile 2.05g/m² carpet mat set, with waterproof backing, provide a well appointed finishing touch to the interior.



Fixed Side Steps**
VPLCP0210

The side step aids entry and exit to the vehicle and improves access to the roof. Design features include Bright stainless steel edge trim and a rubber tread mat.



Mudflaps
VPLCP0203 – Front
VPLCP0204 – Rear
VPLCP0205 – Rear with 5 + 2 seating†

Mudflaps are a popular upgrade for reducing spray and ensuring paintwork is protected from debris and dirt. Designed to complement vehicle exterior design.



Mudflaps – Dynamic only
VPLCP0311 – Front
VPLCP0312 – Rear
VPLCP0313 – Rear with 5 + 2 seating†

Mudflaps are a popular upgrade for reducing spray and ensuring paintwork is protected from debris and dirt. Designed to complement vehicle exterior design.



Rubber Floor Mats
VPLCS0281
VPLCS0280 – Third row (not shown)

Rubber footwell mats help provide protection from general dirt.



Gearshift Paddles
VPLV50187MMU – Aluminum
VPLV50187CAY – Aluminum Red

Complete the look and feel of your steering wheel with premium aluminum paddles. Gearshift paddles are machine polished, anodized and hand brushed to provide exceptional wear resistance with a premium finish.



Sports Pedal Covers
VPLHS0044 – Automatic Transmission vehicles
VPLHS0045 – Manual Transmission vehicles (not shown)

Stainless steel Bright finish sports pedal covers are easy to fit and feature hidden fixings for a clean finish.





ABOVE & BEYOND

CONTENTS

SPECIFICATION

LOCATE A RETAILER

BUILD YOUR OWN

TECHNICAL DETAILS

DIMENSIONS AND CAPABILITIES

Standard Ride Height
With roof antenna 67.9 inches

Headroom
Maximum front headroom with panoramic roof 40.2 inches
Rear headroom 38.7 inches

Cargo Space Capacity
Rear seats upright
Height 30.6 inches, Width 51.9 inches
Maximum cargo space volume 34.6 cu.ft.
Cargo space width between arches 43.5 inches
Maximum length at floor 38.8 inches
Rear seats folded
Length behind first row 73.8 inches
Length behind second row 38.8 inches
Height 30.6 inches, Width 51.9 inches
Maximum cargo space volume 62.8 cu.ft.
Cargo space width between arches 43.5 inches
Maximum length at floor 74.3 inches

Obstacle Clearance
Standard ride height 8.3 inches

Turning Circle
Curb-to-curb 38.2 ft
Wall-to-wall 38.9 ft
Turns lock-to-lock 2.36

Wading Depth*
Maximum wading depth 23.6 inches

Length behind second row 38.7 inches
Length behind first row 74.2 inches
Cargo space width 51.8 inches
Overall length 181.1 inches

Width 81.5 inches mirrors folded
Width 85.6 inches mirrors out

Height 67.9 inches

Front wheel track 63.8 inches
Rear wheel track 64.0 inches

A B C

Ride Height Standard
Approach Angle 23.4°
Ramp Angle 20°
Departure Angle 31°

Wheelbase 107.9 inches

TECHNICAL SPECIFICATION, PERFORMANCE AND KEY DATA

	GAS	
	2.0L Si4 AUTOMATIC 237HP	2.0L Si4 AUTOMATIC 286HP
POWER (HP)		
Seating	5 / 5 + 2	5
ENGINE DATA		
Bore (inches)	3.44	3.44
Stroke (inches)	3.27	3.27
Compression ratio (:1)	10+/-0.5	10+/-0.5
BRAKES		
Front type	Single Piston Sliding Caliper with ventilated rotor	Single Piston Sliding Caliper with ventilated rotor
Front diameter (inches)	12.8	13.7
Rear type	Sliding Caliper Single Piston with ventilated rotor	Sliding Caliper Single Piston with ventilated rotor
Rear diameter (inches)	11.8	11.8
WEIGHTS (lbs)		
Weight from	3,960 / 4,150	4,150
Gross vehicle weight	5,520 / 5,860	5,520
Maximum mass on each axle (front)	2,950 / 2,885	2,950
Maximum mass on each axle (rear)	2,795 / 3,150	2,795
TOWING (lbs)		
Unbraked trailer	1,653 / 1,653	1,653
Maximum towing	4,409 / 4,409	4,409
Maximum coupling point / nose weight	220 / 220	220
Maximum vehicle and trailer combination / gross train weight	9,931 / 10,273	9,931
ROOF CARRYING (lbs)		
Maximum roof load (including roof rails)	165	165
PERFORMANCE		
Maximum speed (mph)**	127	137
Acceleration (secs) 0-60mph**	7.1 / 7.4	6.3
Fuel tank capacity – usable (US gallons)	18.1	18.1

*These systems are not a substitute for driving safely with due care and attention and will not function under all circumstances, speeds, weather and road conditions, etc. Driver should not assume that these systems will correct errors of judgment in driving. Please consult the owner's manual or your local authorized Land Rover Retailer for more details. Vehicles shown are HSE Luxury in Indus Silver.



**Always follow local speed limits.



ABOVE & BEYOND

CONTENTS

SPECIFICATION

LOCATE A RETAILER

BUILD YOUR OWN

A WORLD OF LAND ROVER



LAND ROVER EXPERIENCE

Ever since its inception, Land Rover has been ready for anything. Its legendary capability has seen it tackle the most demanding of terrains, in the most difficult conditions. Its versatile interior has become synonymous with comfort and greater cargo space. And its 'can do' attitude has made it the most welcome of vehicles across the globe.

You can be part of the Land Rover story at one of our Land Rover Experience Centers. You can see how each and every one of these iconic vehicles is built. You can take one out onto off-road tracks where your driving skills will be put to the test. Or you can go even further on one of our Adventure Travel holidays to such countries as Tanzania, Iceland or Morocco.

Adventure awaits.

For more information, visit landroverusa.com



LAND ROVER ONELIFE

Onelife, the award-winning Land Rover magazine is published twice a year and reaches customers in 40 countries. Each issue is filled with the latest Land Rover news and vehicles, insights into the technology and design that shape each vehicle, inspirational journeys and opinions from international experts.



LAND ROVER FINANCIAL SERVICES

Getting the keys to your very own Land Rover has never been so simple. And it's more affordable than you might think. New or used, for personal or business use, we have an option that puts you in complete control. Please speak to your nearest Land Rover Retailer to find out more.

FLEET & BUSINESS

Land Rover is dedicated to being the premium manufacturer of choice for fleets and businesses, by providing a highly attractive range of vehicles and exemplary customer service.

Distinctive, capable and versatile, all Land Rover vehicles deliver low total cost of ownership through strong residual values, competitive service, maintenance and repair costs.

We are also committed to providing a totally customer-focused aftersales service, which will ensure every Land Rover vehicle is kept on the road and in top condition, in the easiest and most cost-efficient way for businesses.

For more information, visit landroverusa.com



LAND ROVER COLLECTION

The vehicle is just the beginning. The latest Land Rover Collection is now available for you to discover.

A meticulous attention to detail doesn't stop with our vehicles. You'll find the same level of craftsmanship in all of our clothing, travel items and premium gift ideas. So whether you're shopping for yourself or a loved one, you know the quality is assured.

The Land Rover Collection includes ladies and gents clothing, an extensive range of small leather goods such as wallets, portfolios, iPad and iPhone cases along with briefcases and weekender bags. A range of cufflinks and ladies silk scarves add a luxury feel to the collection. There's a kids collection too, with colorful fun clothing, caps and replica model vehicles for them to enjoy.

Visit shop.landroverusa.com to browse the latest Land Rover Collection.



ROADSIDE ASSISTANCE

Land Rover Assistance provides assistance in motoring emergencies, from immobilization due to breakdown or accident to minor problems such as punctures. You can rely on our roadside assistance, whatever the situation, anywhere in North America during the vehicle warranty period.

For further details please contact your nearest Land Rover Retailer or visit landroverusa.com

IMPORTANT NOTICE: Jaguar Land Rover Limited is constantly seeking ways to improve the specification, design and production of its vehicles and alterations take place continually. While every effort is made to produce up to date literature, this brochure should not be regarded as an infallible guide to current specifications, nor does it constitute an offer for the sale of any particular vehicle. Distributors and Retailers are not agents of Jaguar Land Rover Limited by any express or implied undertaking or representation.

All Land Rover Approved Accessories fitted by a Land Rover Retailer within one month or 1,600 kilometers/1,000 miles (whichever occurs first) of the handover of a new registered vehicle will benefit from the same warranty terms and period of cover as the vehicle warranty. Accessories purchased outside of these parameters will be subject to a 12 month unlimited mileage warranty. All Land Rover Approved Accessories are rigorously tested to the same exacting standards as those applied to our vehicles. Performance in extreme hot and cold temperatures, corrosion resistance, impact and airbag deployment highlight some of the exhaustive product testing carried out to ensure accessories are both durable and importantly, continue to comply with current legislation. Some of the accessories featured are not available on all models. Please consult your nearest Land Rover Retailer for more information.

All our accessories are designed to be an integral part of Land Rover vehicles. While many items such as roof carriers are simple to fit, some products require specialist tools and diagnostic equipment to ensure correct integration with the vehicle structure and electrical systems. These products vary from market to market, please consult your Land Rover Retailer who will be pleased to advise you on current specifications and any query you may have.

The colors reproduced here are subject to the limitations of the printing process and may therefore vary slightly from the actual vehicle. The company reserves the right to alter or withdraw any color finish without notice. Some of these colors may not be obtainable in your country. Please check availability of colors and current specifications with your Land Rover Retailer. Distributors and retailers are not agents of Jaguar Land Rover Limited and have absolutely no authority to bind Jaguar Land Rover Limited to any express or implied undertaking or representation.

Castrol EDGE Professional recommended by Land Rover.

Vehicle shown on front and back covers is HSE Luxury in Scotia Grey with Black Design Package.

Jaguar Land Rover North America, LLC
555 MacArthur Boulevard
Mahwah, NJ 07430

1-800-FIND-4WD

landroverusa.com

© 2017 Jaguar Land Rover North America, LLC.
1L5501810CC0BUSEN01P



iPad and iPhone are trademarks of Apple Inc., registered in the US.



ABOVE & BEYOND

